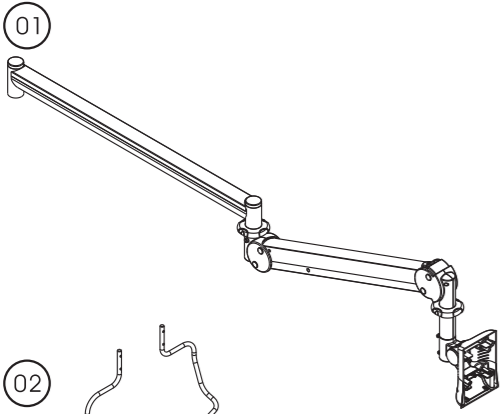
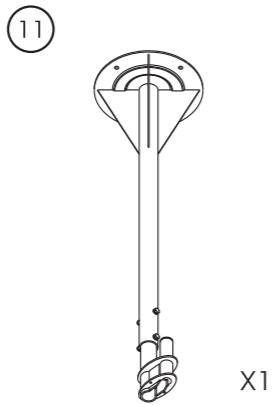
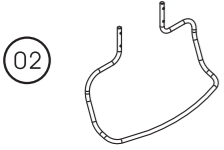

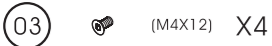















FPMA-HAC100HC Series

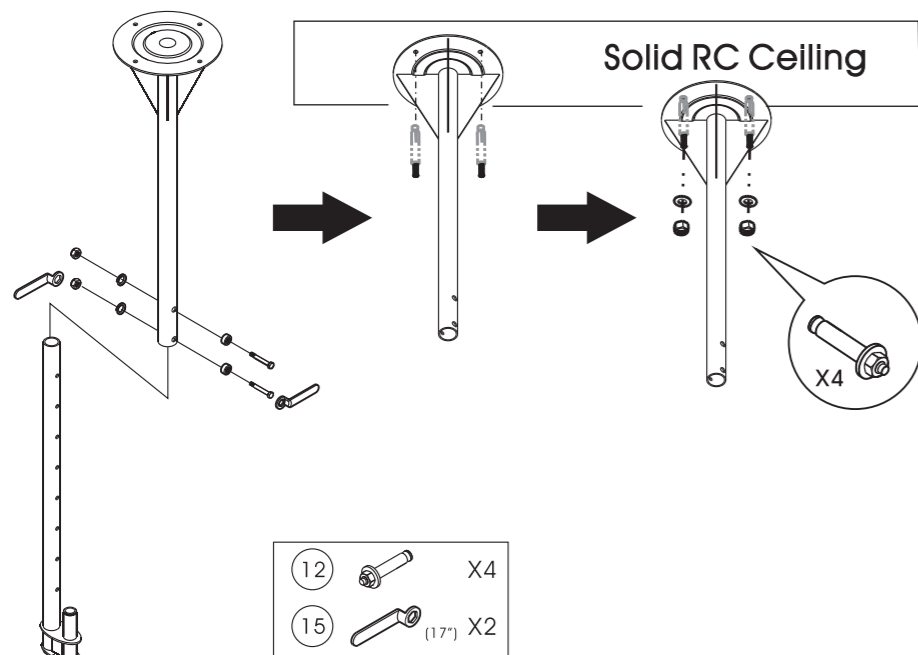
- Before starting assembly please spend some time reading this manual then follow the simple step by step guide to assembly.
- Some panels are viewed differently from the exploded drawing below, this is for extra clarity.
- Do not discard any of the packaging until you have checked all the parts and the pack of fittings.
- If you are missing any of the parts, contact store where you purchased.

Check list

	X1		X1
	X1		X4
	X4		X2
	X4		X1
	X4		X2
	X4		X1
	X1		X1
	X1		X2
	X1		
	X2		

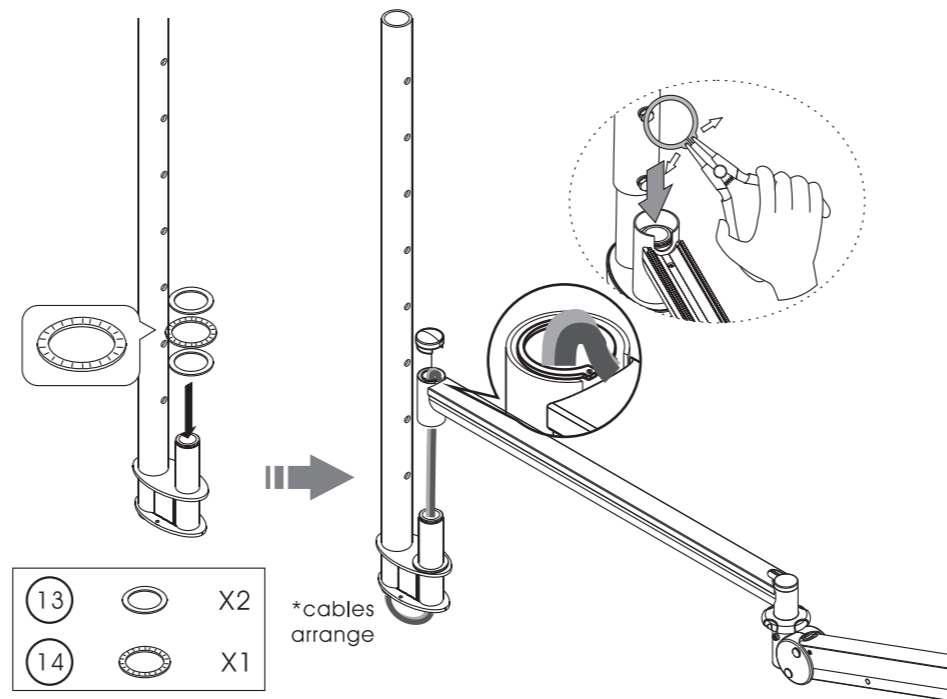
STEP 1. Fix Ceiling Mounting into Solid RC Ceiling firmly

- Disassemble the ceiling mount and the adjustable pole.
- Choose the exact place you want to fix ceiling mounting on the ceiling and have 4 remarks on it.
- Drill 4 expansive bolts into the ceiling and put ceiling mounting into the 4 expansive bolts aiming at ceiling mounting's 4 holes.
- Then, lock them by 4 washers & 4 nylon nuts.



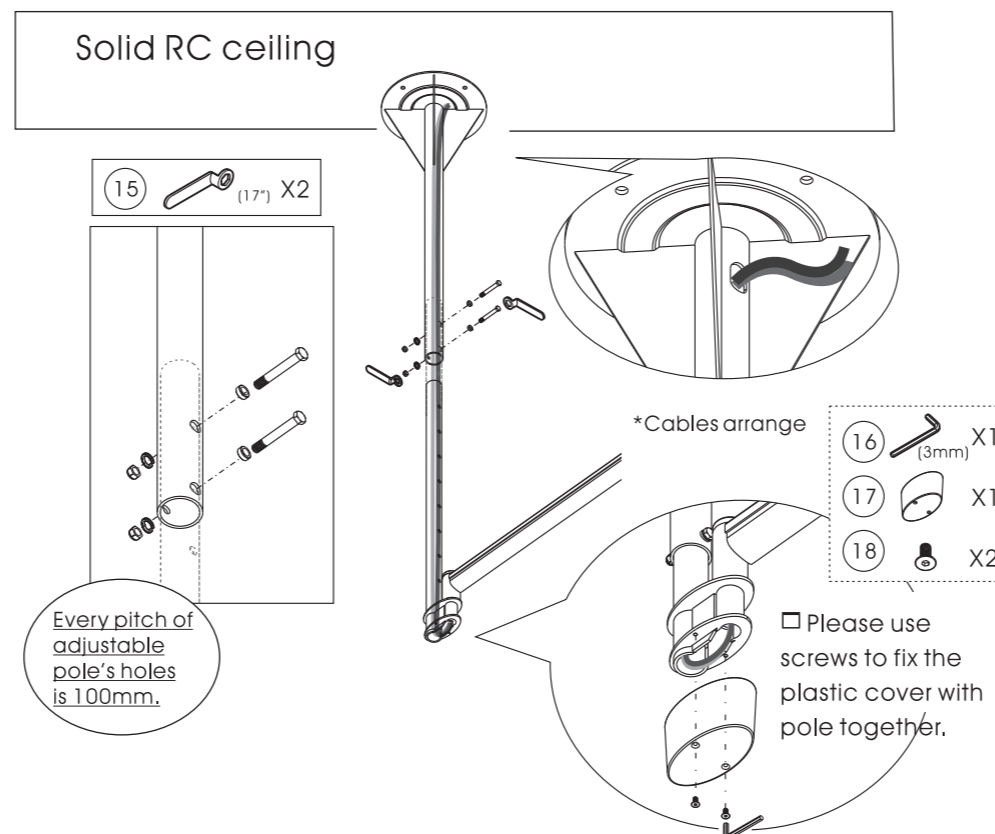
STEP 2. Only keep the drawing on the assembly guide

- Place the bearings onto the spindle
- Place the arm onto the spindle and put the end cap on it
- Make sure C clip is fitted into groove of spindle securely for collecting the cables
- Fit the end cap to the lowest point and screw the cap.



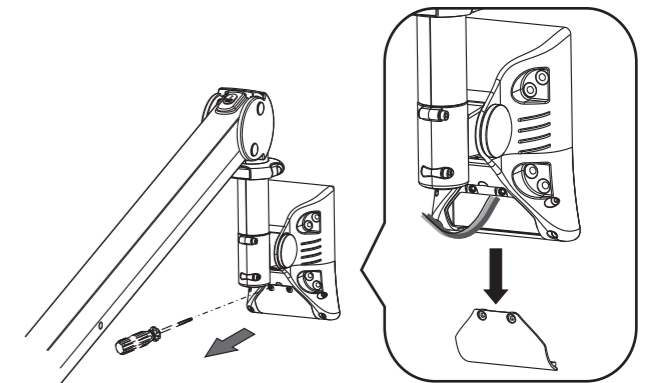
STEP 3. Let Adjustable Pole embedded into Ceiling Mounting to adjust the height:

- Put the adjustable pole inside the ceiling mount.
- Fix the pole at the desired height by wrench with 2 screws, 2 screw bushing, 2 washers, & 2 nylon nuts.

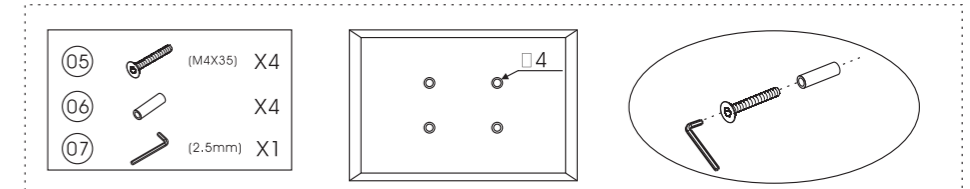
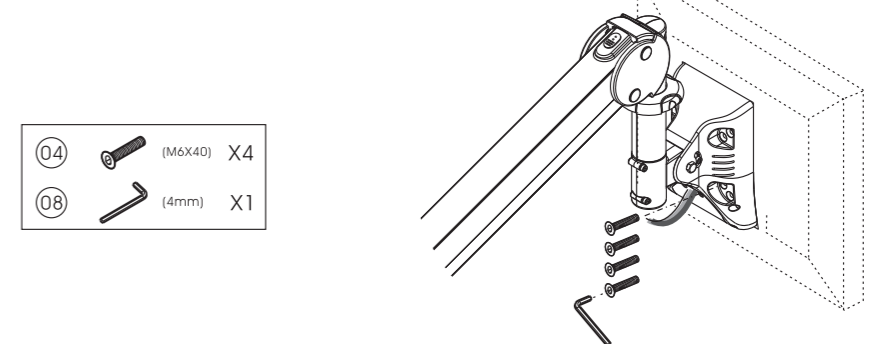


STEP 4. LCD Monitor Assembly

Please remove the back cap by the screw driver (not provided) as shown in figure. Please keep the screws in order to screw back after the monitor installation are completed. Then pull out the cable in order to install the monitor.

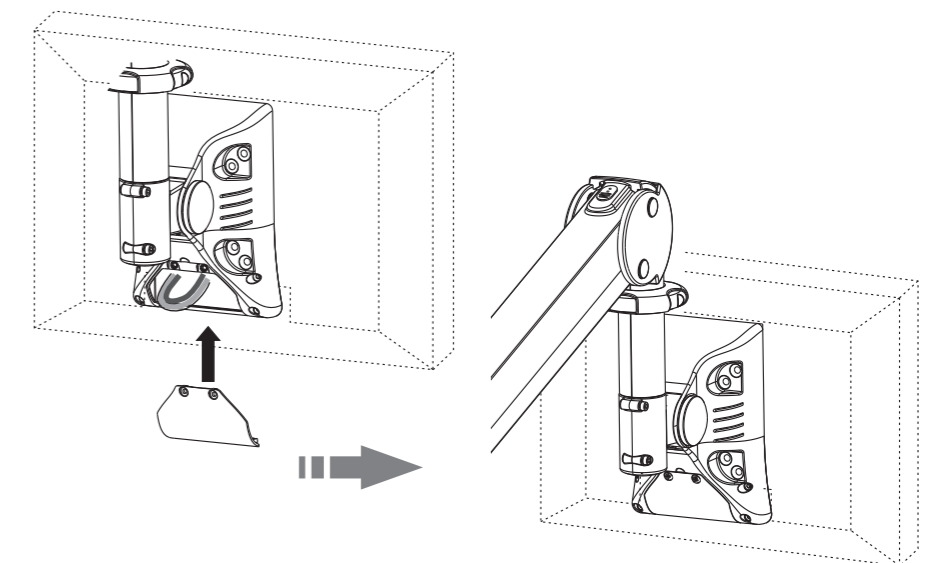


Fix the Monitor on the VESA mount using Allen Key and screws.



STEP 5. Cables Arrange

Please insert the cable to the monitor, complete the circuit and then fix the cap.

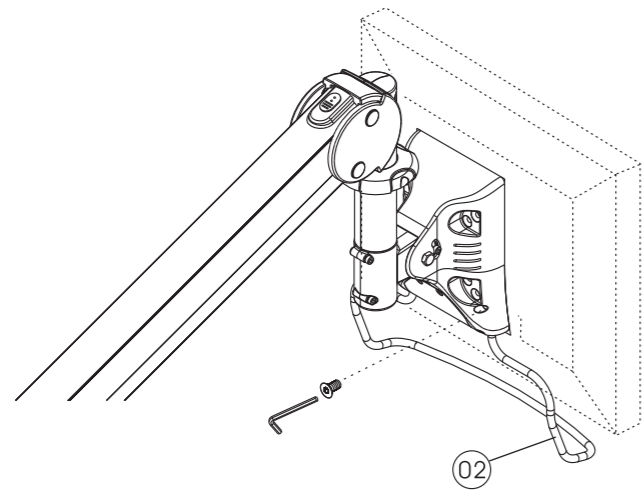


Assembly Guide

STEP 6. LCD Monitor grab handle :

1. Please insert the grab handle into the 2 holes on the bottom of universal joint.
2. Then fix the grab handle with 4 screws by 2.5 mm Allen Key to the 4 holes on the lower part of universal joint.

- 03 X4
- 07 X1



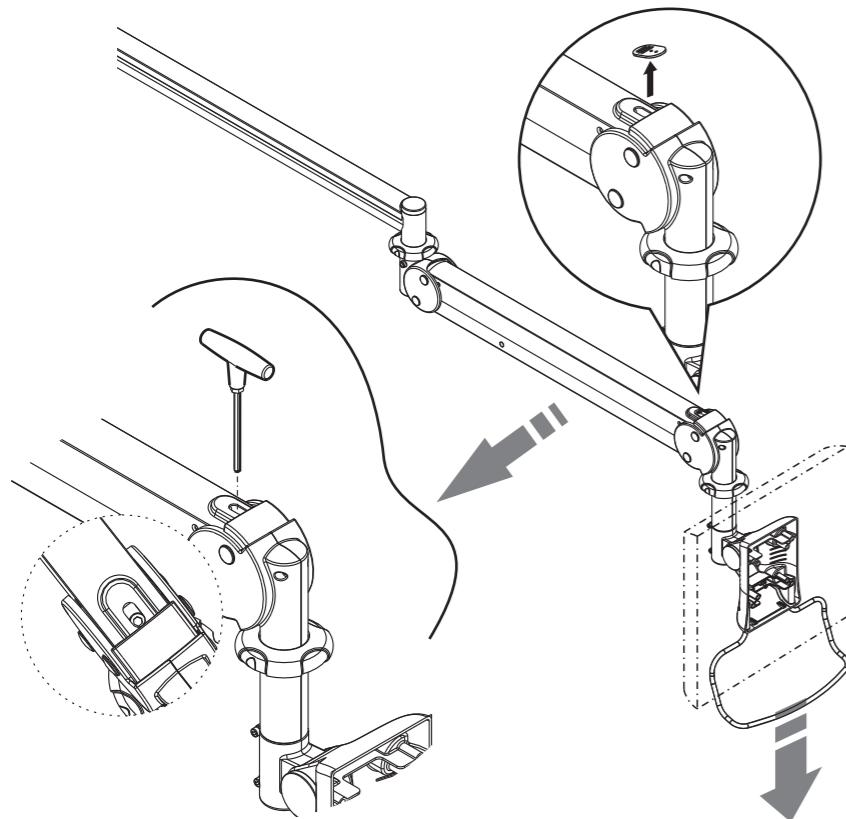
Adjustment For Loading

Caution for weight capacity adjustment:

1. Make sure you have checked out the weight of the panel you wish to mount.
2. Support the arm throughout/during assembly.
3. Pull down the arm and take out the upper cap (See as below figure) when adjust.

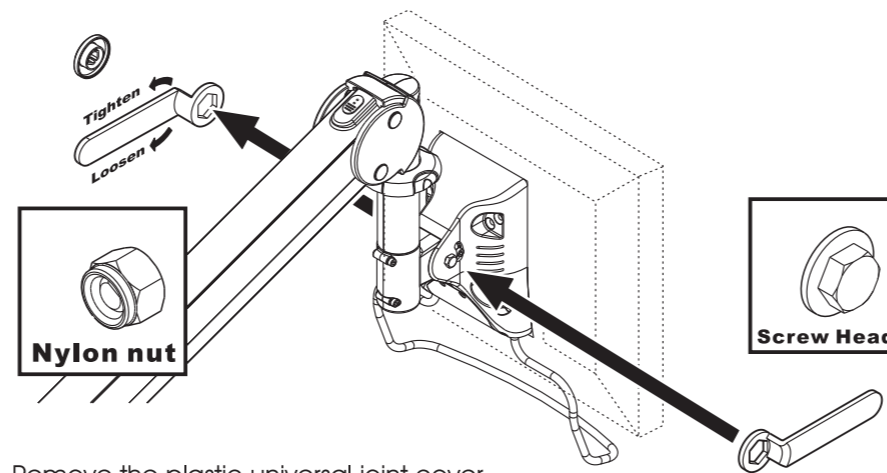
Adjustment:

Use the Allen key provided to adjust the weight capacity. Twist the Allen key in a clockwise direction for more weight; counterclockwise direction for less weight loading 6~12 kg.



Adjusting Universal Joint Tension

When assembling the arm with monitors of different weights, you may find that the tension of the universal joint needs to be adjusted to ease movement or to maintain the desired monitor position. If so, adjust as follows:

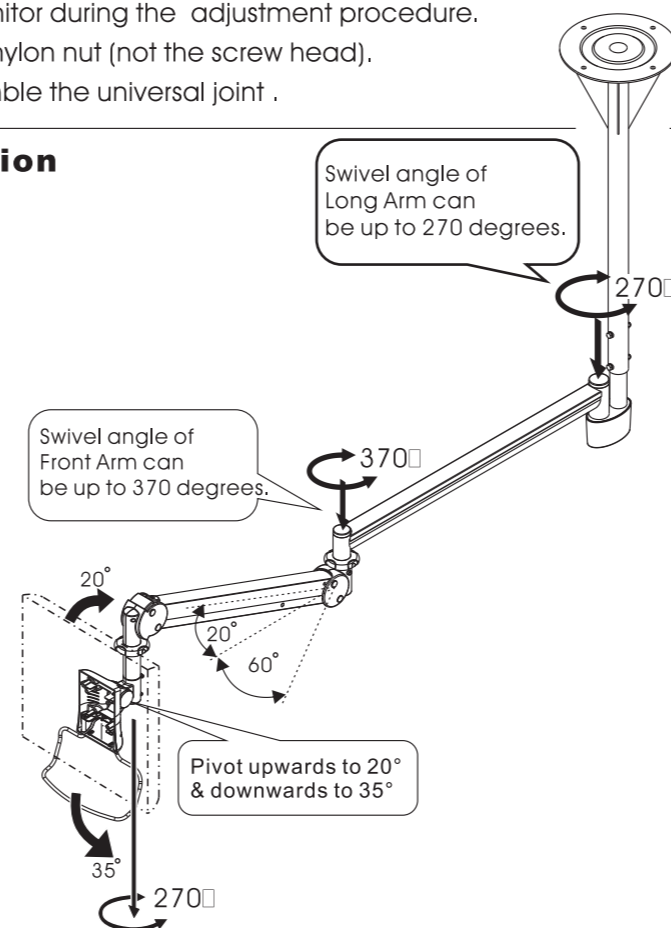


- Remove the plastic universal joint cover.
- Find the nylon nut (not the screw head) and use the provided wrench to adjust the tension. Fix the screw head by wrench at the same time when adjust.
- Use one hand to support the monitor and adjust the tension of the universal joint.
 - Clockwise : more tension
 - Counterclockwise : less tension
- When the desired tension is achieved, replace the plastic cover.

Caution:

- Support the monitor during the adjustment procedure.
- Only adjust the nylon nut (not the screw head).
- Do not disassemble the universal joint.

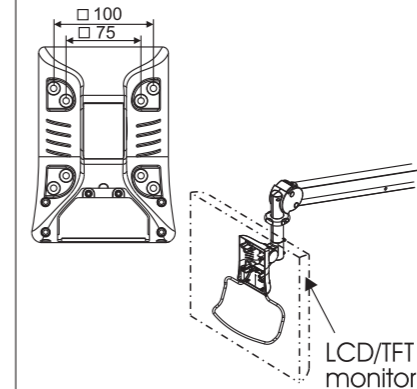
Arm Operation



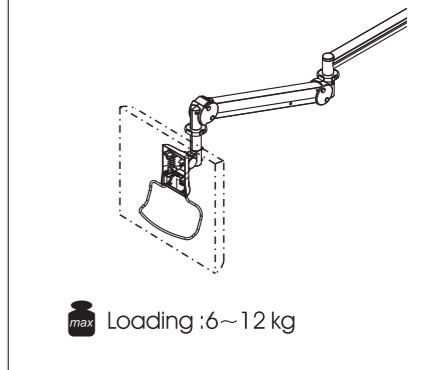
Safety Notes

- Once assembled DO NOT dis-assemble.
- Make sure that mounting screws are suitable for the vertical surface and adequate to hold the weight of the arm and the monitor.
- Support the monitor and arm throughout assembly and mounting.
- Keep small parts out of the reach of children.

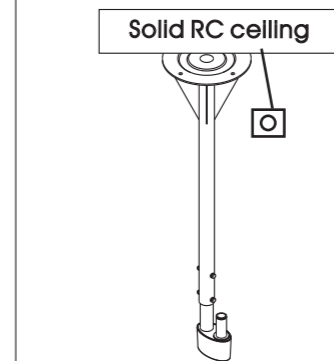
- Only use with LCD/TFT monitors that are VESA compliant-75/75mm, 100/100mm.



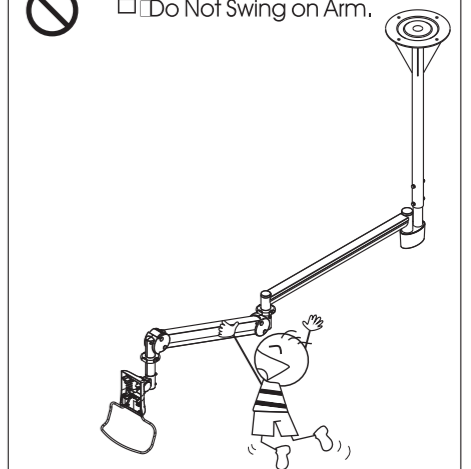
- Monitors to be mounted should not weigh any more than between.



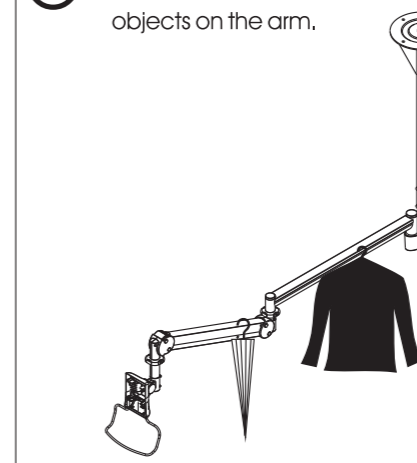
- Make sure that the vertical surface is substantial to take the weight of the arm and monitor.



- Do Not Swing on Arm.



- Do not hang unnecessary objects on the arm.



- Do not hold the arm as support to get up.

