

Innovative and Powerful Features!

- ◆ True industrial grade design
- ◆ Rugged metal case for harsh industrial environments
- ◆ For worldwide use – Autoselect input and international safety approvals
- ◆ ATEX and IECEx certification (opt. EX)
- ◆ Model TSP 090-124N meets NEC class 2
- ◆ Industrial operating temperature range: -25°C to $+70^{\circ}\text{C}$
- ◆ Variable output voltage
- ◆ Indefinite short circuit, overvoltage and overtemperature protection
- ◆ Power OK signal
- ◆ Remote On/Off
- ◆ Shock and vibration proof
- ◆ Wall mounting (opt.)
- ◆ Redundancy module
- ◆ Buffer module for power backup
- ◆ Battery controller module
- ◆ 3-year product warranty



The TRACOPOWER TSP series is a new generation of high performance DIN-rail mount power supplies designed to work reliably even under difficult factory floor conditions. A high power reserve guarantees reliable start-up of loads with high in-rush currents. Excellent electrical specifications and high immunity against electrical disturbances makes these compact modules the best choice to power sensitive loads in industrial process control systems, machine tools or other demanding industrial applications. Easy installation with detachable screw terminal block and snap-on mounting on DIN-rails.

For system applications all models offer a DC-OK signal and external shut down function. Redundant operation with true power sharing is available as an option. With another option these power supplies can be extended to build a perfect DC-UPS system with automatic battery management.

The TSP series power supplies complies with the latest safety and EMC standards for industrial environments and are also available with ATEX certification for applications in hazardous locations (class I, division 2)

Models

Order Code	Output Power (Pmax)	**Output Voltage (Vnom)	***Output Current (Imax)
TSP 070-112*	72 W	12 VDC	6.0 A
TSP 090-124*	90 W	24 VDC	3.75 A
TSP 090-124N	90 W	24 VDC	3.75 A
TSP 090-148*	96 W	48 VDC	2.0 A
TSP 140-112*	144 W	12 VDC	12.0 A
TSP 180-124*	180 W	24 VDC	7.5 A
TSP 180-148*	192 W	48 VDC	4.0 A
TSP 360-124*	360 W	24 VDC	15.0 A
TSP 360-148*		48 VDC	7.5 A
TSP 600-124*	600 W	24 VDC	25.0 A
TSP 600-136		36 VDC	16.5 A
TSP 600-148*		48 VDC	12.5 A

* For ATEX / IECEx compliant model add appendix -EX to order code.

** Output voltage adjustable 12-14 VDC, 24-28 VDC and 48-56VDC

*** Max. current at nominal output voltage and operating temperature up to 40 °C max.

Product Features

The Ultimate DIN - Rail Power Supply !

Remote On/Off

Control Output for true
N+1 Redundancy or
Battery Operation

Jumper for Parallel
Operation or Battery Charge
Mode selectable by Jumper

Detachable Screw Terminal
Block for quick disconnect
and easy Installation

Rugged, Ultracompact
Metal Case, Shock and
Vibration tested per
IEC 60068-2 Standard

Double Output Terminals
for easy wiring of
multiple loads

Industrial Safety Approval
Package to comply with:
IEC/EN 60950-1
UL/cUL 60950-1
UL 508, CSA-C22.2 No.107
EN/UL 60079-15
ATEX 94/9/EC, IECEx (Opt. EX)
ANSI/ISA 12.12.01

Dual Color Status
Indicator LED

Adjustable Output Voltage

EMC Compliance to
EN 61204-3 Standard
for Industrial
Power Supplies
SEMI F47

Remote Diagnostic via
floating Relay Contact
or PNP Output

Convection Cooling,
no internal Fan, Thermal
Overload Protection

Autorange Input
for worldwide Use

Self-locking DIN-rail fixing
Latch or optional Wall
Mounting Brackets



Input Specifications

Input voltage range	– TSP 070/090 – other models: – output current derating at operation below 100 VAC	85 – 263 VAC universal input 85 – 132 / 187 – 264 VAC autoselect see graph B, page 5
Input voltage frequency		47 – 63 Hz
Harmonic limits		EN 61000-3-2, Class A (for limited output power)
Holdup time		20 ms min. (full load 115/230 VAC)
Inrush current	– TSP 070/090 – TSP 140/180 – TSP 360 – TSP 600	115 VAC 230 VAC < 12 A < 20 A < 13 A < 25 A < 16 A < 25 A < 25 A < 30 A
Recommended circuit breaker, characteristic C or fuse, slow blow type	– TSP 070/090/140/180 – TSP 360 – TSP 600	6.0 – 16.0 A 10.0 – 16.0 A 16.0 – 25.0 A
Efficiency		87 % typ.

Output Specifications

Output voltage adj. range	– 12 VDC models: – 24 VDC models: – 36 VDC model: – 48 VDC models:	12 – 14 VDC 24 – 28 VDC 36 – 42 VDC 48 – 56 VDC
		At output voltage higher than nominal output voltage max. output current has to be reduced accordingly, in order not to exceed max. output power.
Regulation	– Input variation – Load variation (10–100 %)	0.5 % max. 0.5 % max.
Ripple and Noise (20MHz bandwidth)		100 mV pk-pk typ. (200 mV pk-pk max. at I _{max})
Electronic short circuit protection		current limitation at I _{max} . constant current, automatic recovery
Output overvoltage protection	– 12 VDC models: – 24 VDC models: – 36 VDC model: – 48 VDC models:	20 V 35 V 43 V 60 V
Overload protection		electronic overload protection
Overtemperature protection		switch off at overtemperature, automatic restart
Power back immunity	– 12 VDC models: – 24 VDC models: – 36 VDC model: – 48 VDC models:	16 V 35 V 48 V 63 V
Status indicator		dual color LED (green: DC ok, red: DC off)
Power OK signal	– trigger threshold: – active output signal: (reference to –V _{out}) – relay output	– 12 VDC models: 9 – 11 V – 24 VDC models: 18 – 22 V – 36 VDC model: 27 – 34 V – 48 VDC models: 36 – 46 V – 12 VDC models: 11.0 V ±1.0 V (20 mA max. for TSP 070, 40 mA max. for TSP 140) – 24 VDC models: 22.0 V ±2.0V / 20 mA max. (10 mA max. for TSP 090, 20mA max. for others) – 36 VDC model: 34.0 V ±2.0 V / 20 mA max. – 48 VDC models: 44.0 V ±4.0 V / 15 mA max. DC OK = contact closed rated: 30 VDC/1.0 A for 12/24 VDC models rated: 30 VDC/2.0 A for 36 VDC model rated: 48 VDC/0.5 A for 48 VDC models

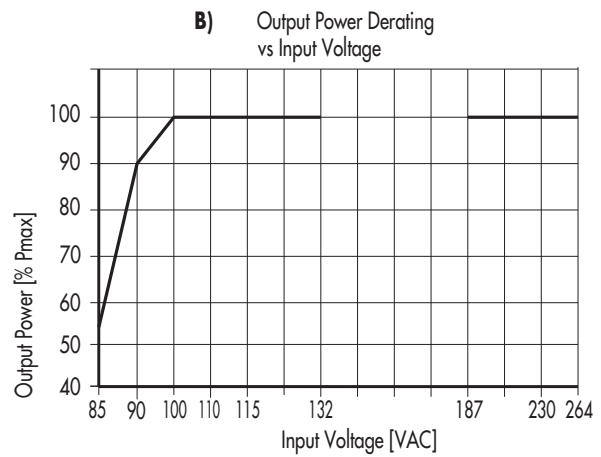
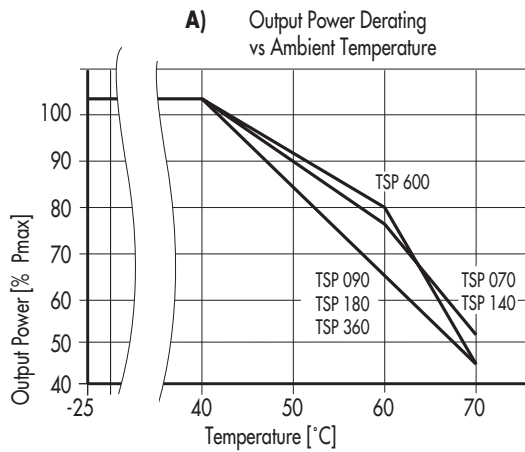
General Specifications

Max. capacitive load		unlimited
Temperature range	– Operating	–25°C to +70°C max. (–13°F to +158°F) (for derating see graph A on page 5)
	– Storage	–25°C to +85°C (–13°F to +185°F)
Cooling		convection cooling, no internal fan
Humidity (non condensing)		95 % rel. H max.
Pollution degree		2
Temperature coefficient		0.02 %/K
Reliability, calculated MTTF (@ +25°C acc. to IEC 61709)	– TSP 070/090	>1.8 Mio h
	– TSP 140	>1.2 Mio h
	– TSP 180/360/600	>0.9 Mio h
Remote On/Off		by ext. contact. DC on: -S contact open DC off: -S connectetd via 1Kohm to -Vout
Isolation		according to IEC/EN 60950-1, UL 60950-1, UL 508
Safety standards	– Information technology equipment – Industrial control equipment – Electrical equipment for machines – Electronic equipment for power installation – Safety transformers for SMPS – Limited power source (model TSP 090-124N) – Control equipment for hazardous location	IEC/EN 60950-1, UL 60950-1, CSA-C22.2 No. 60950-1-03 UL 508, CSA-C22.2 No. 107 EN 60204 EN 50178 EN 61558-2-4 EN 60950 sect. 2.5 and NEC Class 2 UL 60079-15 (Class I, Division 2, Groups A,B,C,D AEx n C II C T4 U) IEC/EN 60079-15 (Class I, Zone 2, EEx nC II C T4 U), (Ex) II3G EEx nAC IIC T4 (T5 with limited power)
Safety approvals and certifications	– CB report – UL approvals – CSA certification – (Ex) II3G ATEX 94/9/EC – IECEx test report – GS certification	for IEC/EN 60950-1 www.tracopower.com/products/tsp-cb.pdf UL 60950-1 rec. File: E181381, UL 508C listed File: E210002 www.ul.com -> certifications (file no. 219759) for UL 60950-1, UL 508, UL 60079-15-02, ANSI/ISA 12.12.01, CSA-22.2 No. 60950-1-03, CSA C22.2 No. 107, CSA 60079-15-02 www.tracopower.com/products/tsp-csa.pdf certificate no. LCIE 07 ATEX 0004 U (option -EX only) www.tracopower.com/products/tsp-atex.pdf for IEC 60079-15 www.tracopower.com/products/tsp-iecex.pdf for EN 60950-1, EN 60204, EN 61558-2-4 www.tracopower.com/products/tsp-gs.pdf
Class of protection		safety class I (IEC 536)
Degree of protection		IP 20 (IEC/EN 60529)
Electromagnetic compatibility (EMC), Emissions	– Conducted RI suppression on input – Radiated RI suppression	EN 61000-6-3, EN 61204-3 EN 55011 class B, EN 55022 class B, EN 55011 class B, EN 55022 class B,
Electromagnetic compatibility (EMC), Immunity	– Electrostatic discharge (ESD) – Radiated RF field immunity – Electrical fast transient / burst immunity – Surge immunity – Immunity to conducted RF disturbances – Power frequency field immunity – Mains voltage dips and interruptions – Voltage sag immunity	EN 61000-6-2, EN 61204-3 IEC / EN 61000-4-2 4 kV / 8 kV criteria B IEC / EN 61000-4-3 10 V / m criteria A IEC / EN 61000-4-4 2 kV criteria B IEC / EN 61000-4-5 1 kV / 2 kV criteria B IEC / EN 61000-4-6 10 V criteria A IEC / EN 61000-4-8 30 A / m criteria A IEC / EN 61000-4-11 criteria B/C SEMI F47 www.tracopower.com/products/TSP_SemiF47.pdf

General Specifications

Environment	– Vibration acc. IEC 60068-2-6; – Shock acc. IEC 60068-2-27	3 axis, sine sweep, 10 – 55 Hz, 1 g, 1 oct/min 3 axis, 15 g half sine, 11 ms
Enclosure material		aluminium (chassis) / stainless steel (cover)
Mounting	– DIN-rail mounting – Wall mounting (option)	for DIN-rails as per EN 50022-35x15/7.5 (snap-on with self-locking spring) with wall mounting bracket - see page 12
Connection		detachable screw terminals (plugs included) 2 terminals per output
Installation instructions		www.tracopower.com/products/tsp_inst.pdf

Output Power Derating



All specifications valid at nominal input voltage, full load and +25°C after warm-up time unless otherwise stated.

TSP-REM Redundancy Module

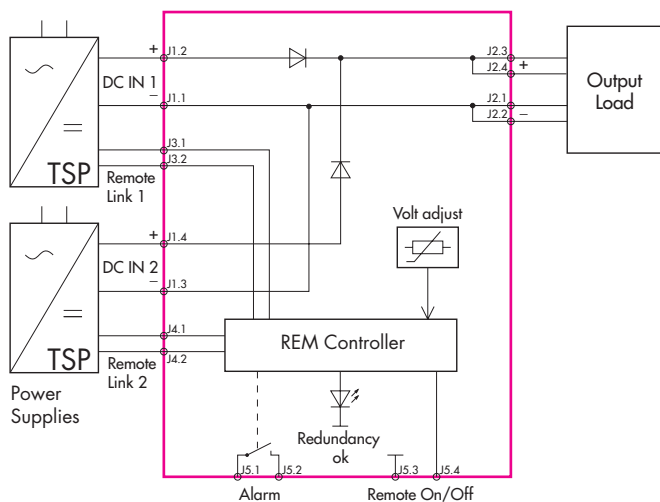
With this module and two power supplies of the TSP series (of same type) a highly reliable, truly redundant power system can be configured without any additional components. This module enforces the equivalent sharing of the output current by each power supply. The system is fully redundant and provides output power even if one power supply has completely failed e.g. by short circuit on the output. In the event of either power supply failing or being disconnected, the second unit will automatically supply the full current to the load. The redundancy of the system is monitored and if lost, indicated by an alarm output. The inputs are hot swappable and can be loaded up to 15 A each.



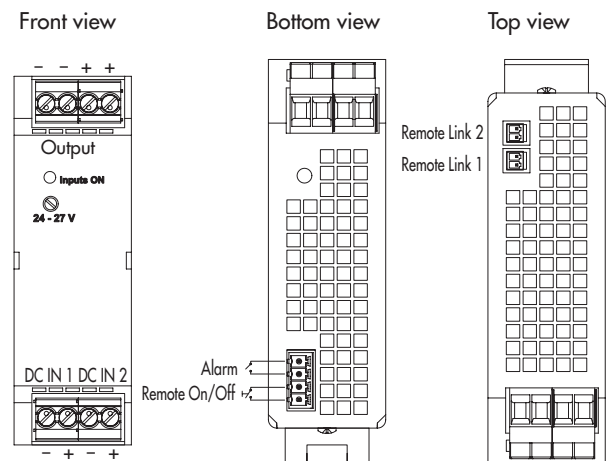
Models

Order Code (includes terminal plugs)	Input	Max Power per Input	Output Voltage adjust.	Output Power max.
TSP-REM360	2 x 24 VDC	2 x 360 W	24 VDC	360 W
TSP-REM600	2 x Control input	2 x 600 W	(24–27 VDC)	600 W

Function Diagram



Connector Positions



Specifications

Operating temperature	-25°C to +70°C max. (-13°F to +158°F) derating above 40°C (104°F): 1.5 %/K	
Electromagnetic compatibility	in correspondence to connected units (no internal switching device)	
Redundancy OK signal (Alarm)	trigger threshold at 18...22VDC, contact open if both inputs failed	
Reliability, calculated MTTF @ +25°C acc. to IEC 61709	- TSP-REM360 - TSP-REM600	>3 Mio h >2.8 Mio h
Safety approvals	- UL 508	www.tracopower.com/products/tsp-rem-ul508.pdf
Dimensions	see page 10	
Remote link cable (0.5m)	2 cables included with TSP-REM360 module	
Remote On/Off	by ext. contact: contact open = On, contact closed = Off	
Installation instructions	www.tracopower.com/products/tsp-rem_inst.pdf	

TSP-BFM24 Buffer Module

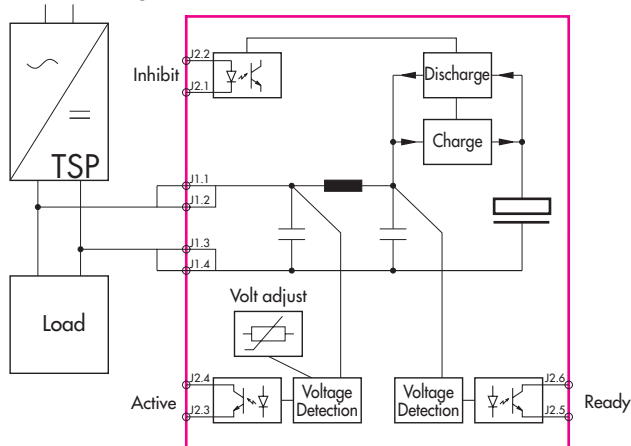
The TSP-BFM24 buffer module will hold the output voltage of a 24 VDC power supply after brown outs or voltage dips of up to ten full 50 Hz cycles. During this buffer period no deterioration of the 24 VDC output voltage will occur. For many applications this buffer module is an ideal and cost effective alternative to a battery based backup system. The buffer module consists of a large bank of capacitors. When the power supply is switched on, the buffer capacitors will be charged. This will take approximately 30 second and an opto-coupler signal indicates the "READY" condition. When a power fail occurs, the capacitor bank is discharged, maintaining the output of the buffer module at its nominal voltage. This condition is indicated by an "POWER FAIL" signal. The hold up time is typically 200 ms at 25 A and 4 seconds typically at 1,2 A. After 4 seconds the buffer device will switch off the output voltage. The operating modes of the module are also indicated by a LED on the front panel also. The major advantage of this buffer solution is, that it is fully maintenance free and its storage capability does not deteriorate over the live time of the product.



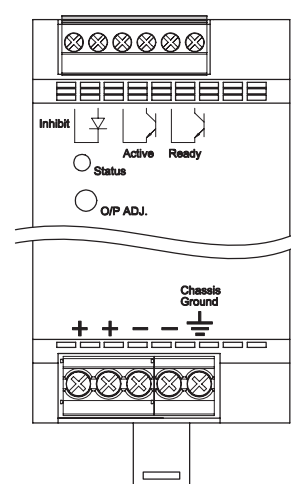
Models

Order code (includes terminal plugs)	Operating Voltage Range	Buffer Time	Output Power max.
TSP-BFM24	24...28VDC	200ms typ. @ 25A max. 4.0 s max. @1.2A	600 W

Function Diagram



Connector Positions



Specifications

Operating temperature	-25°C to +70°C max. (-13°F to +158°F) derating above 40°C (104°F): 1.5 %/K
Electromagnetic compatibility	in correspondence to connected units (no internal switching device)
Buffer voltage	adjustable, >1V below input voltage, min. 22VDC
Charging	0.6 A max. / 30s max.
Status signals	Buffer Active , Buffer Ready (optocoupler output) and dual colour LED for status indication
Inhibit	optocoupler input: 35V max. <5mA
Dimensions	see page 10
Installation instructions	www.tracopower.com/products/tsp-bfm_inst.pdf

TSP-BCM24 Battery Controller Module

This module provides a professional battery management system to charge and monitor an external lead-acid battery. Together with a power supply of the TSP series, a perfect DC-UPS system can be configured. The connected battery will be charged and held in charged mode by the power supply. In the event of a mains power failure the battery will supply the output power until the battery is discharged. As a consequence, the output voltage of the system is equivalent to the battery voltage. To avoid overcharging the battery, an external temperature sensor adjusts the battery voltage automatically to the required end of charge voltage. This can extend the battery life.

The battery is protected against deep discharge. Mains power and battery status are monitored regularly and failures indicated by corresponding LED's and alarm outputs. The module also provides an external On/Off input to switch-off both, power supply and battery.

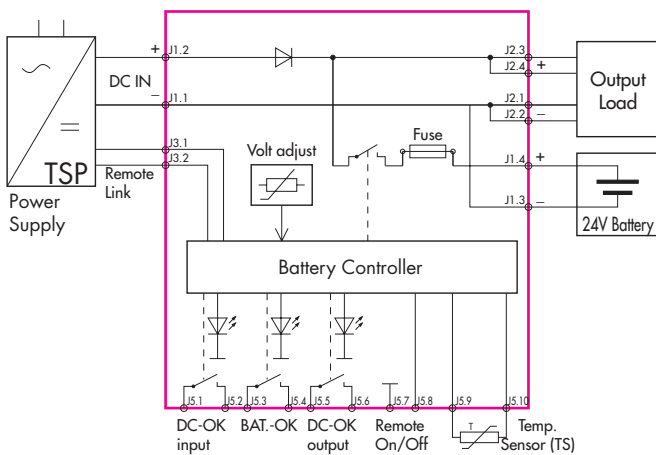


Models

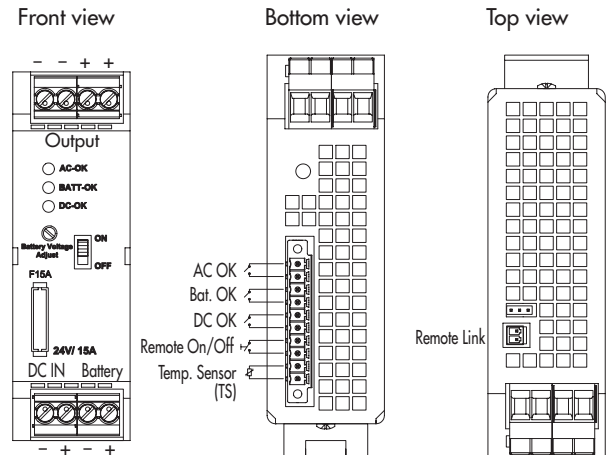
Order code (includes terminal plugs)	Inputs	Input Power max	Output Voltage nom.	*Output Power max.
TSP-BCM24	24 VDC Power Supply and 24 VDC Battery	360 W	24 VDC	360 W
TSP-BCM24A		600 W		600 W

*reduce max. output current by battery charging current

Function Diagram



Connector Positions



Specifications

Operating temperature	-25°C to +70°C max. (-13°F to +158°F) derating above 40°C (104°F): 1.5 %/K
Electromagnetic compatibility	in correspondence to connected units (no internal switching device)
Battery protection	against over voltage, deep discharge, overcharge, short circuit and reverse connection (built-in fuse)
Status signals	DC OK input, DC OK output, BAT OK all relay contact closed at status OK
Rating per relay contact	30 VDC / 1.0 A max.
Reliability, calculated MTTF @ +25°C acc. to IEC 61709	>2.1 Mio h
Dimensions	see page 10
Remote link cable (0.5 m)	1 cable included with TSP-BCM24 module
Remote On/Off	by ext. contact: contact open = On, contact closed = Off
Installation instructions	www.tracopower.com/products/tsp-bcm_inst.pdf

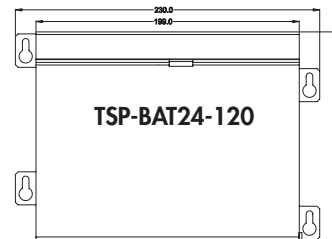
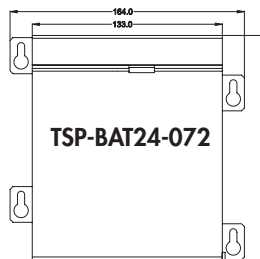
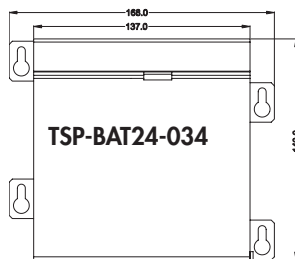
TSP-BAT Battery Pack

The TSP battery packs are designed to build, in connection with the TSP-BCM battery controller module, a complete DC-UPS system. The entire range utilizes 12 V maintenance free VRLA (valve regulated lead acid) batteries made by PANASONIC. These are not spillable lead gel type batteries. Two 12 V batteries are connected in series and assembled into a stainless steel enclosure, with integrated connector and connection cable.



Models

Order code (includes mating connectors)	Nominal Voltage	Charge current max.	Nominal Capacity (at 25°C, 77°F)
TSP-BAT24-034	24 VDC	0.80 A	3.4 Ah
TSP-BAT24-072		1.75 A	7.2 Ah
TSP-BAT24-120		3.00 A	12.0 Ah
TSP-BAT24-072KIT TSP-BAT24-120KIT	Installation rack without batteries		

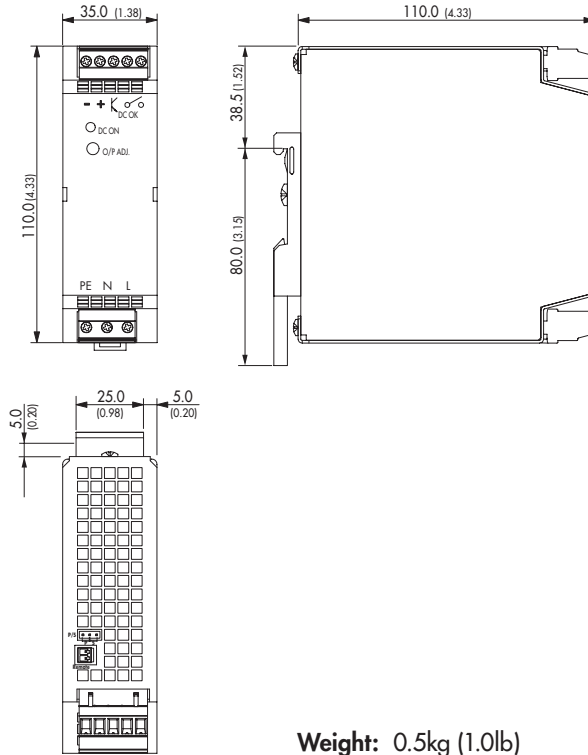


Specifications

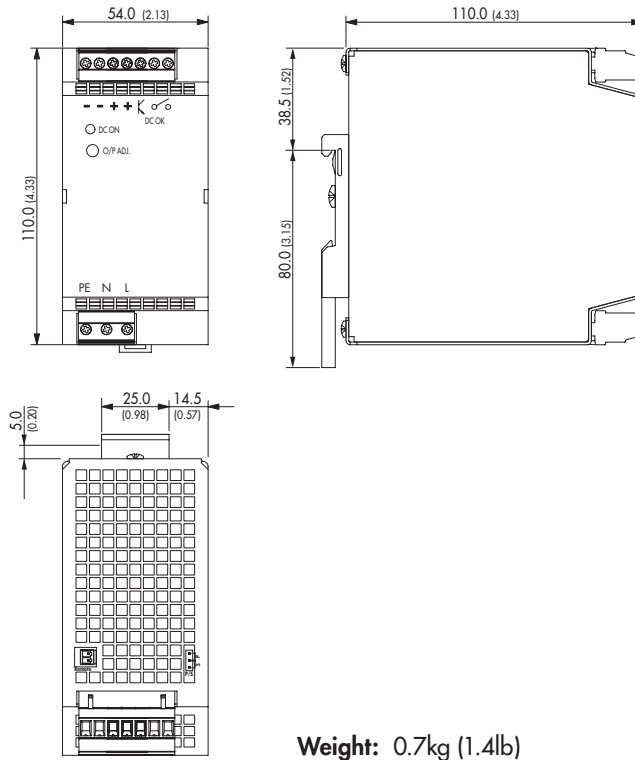
Temperature ranges (max)	– during discharge – when charging / charged – storage	–15°C to +50°C max. (5°F to +122°F) 0°C to +40°C max. (32°F to +104°F) –15°C to +40°C max. (5°F to +104°F)
Battery lifetime		3-5 years see general battery information for details: www.tracopower.com/products/tsp-panas_gen.pdf
Remote link cable		1 cable (0.5m) included
Weight	TSP-BAT24-034 TSP-BAT24-072 TSP-BAT24-120	3.2kg (7.1lb) 5.8kg (12.9lb) 9.0kg (20.0lb)
Battery datasheets	TSP-BAT24-034 TSP-BAT24-072 TSP-BAT24-120	www.tracopower.com/products/tsp-panas_034.pdf www.tracopower.com/products/tsp-panas_072.pdf www.tracopower.com/products/tsp-panas_120.pdf

Outline Dimensions

Models:
TSP 070/090
TSP-REM360
TSP-BCM24



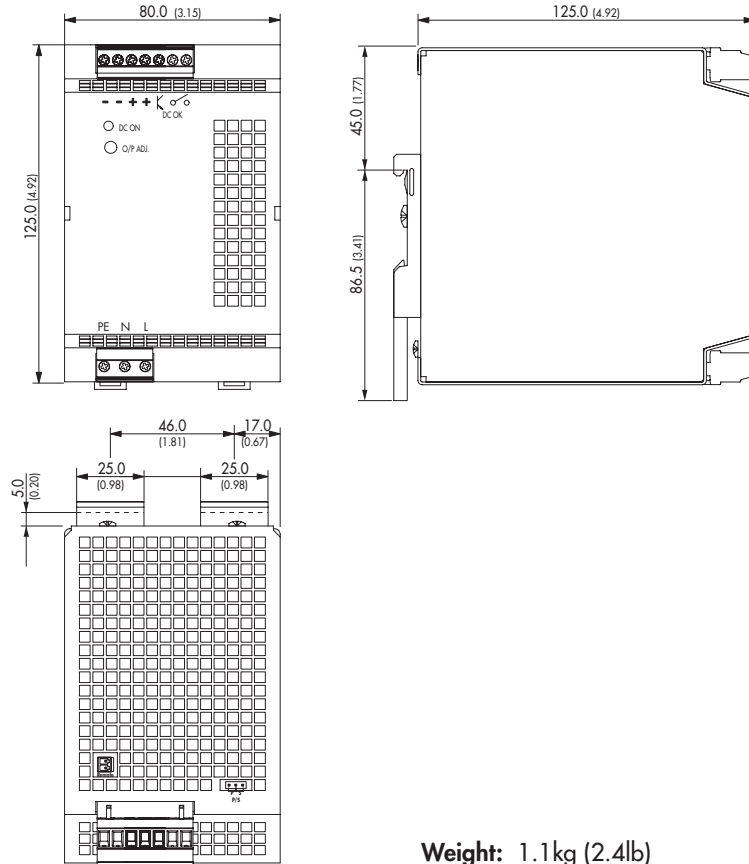
Models:
TSP 140/180
TSP-REM600
TSP-BCM24A
TSP-BFM24



Dimensions in [mm], () = inch
Tolerances: ±0.5 mm (±0.02)

Outline Dimensions

TSP 360

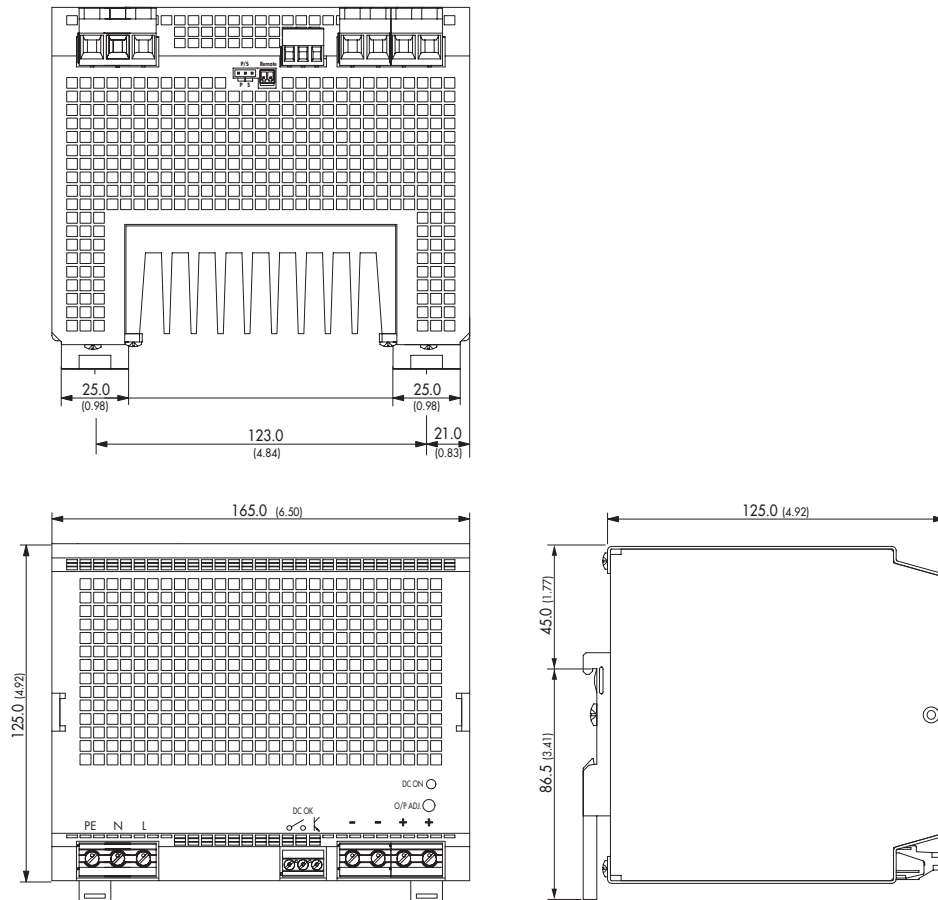


Weight: 1.1kg (2.4lb)

Dimensions in [mm], () = Inch
Tolerances: ± 0.5 mm (± 0.02)

Outline Dimensions

TSP 600



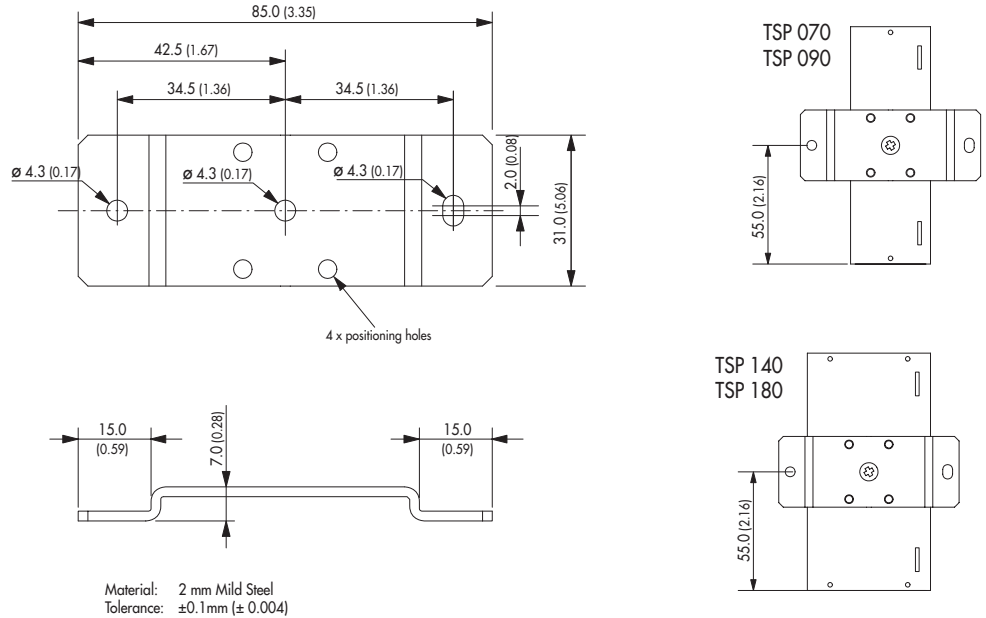
Weight: 2.8kg (6.0lb)

Dimensions in [mm], () = Inch
Tolerances: ±0.5 mm (±0.02)

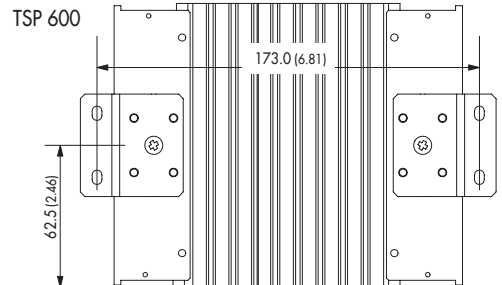
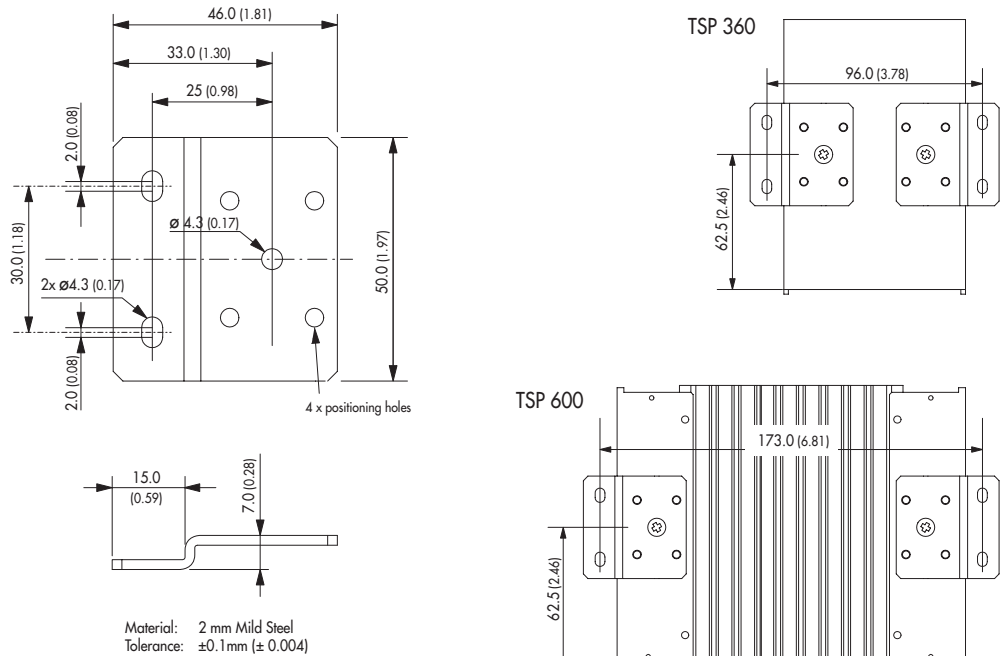
TSP-WMK Wall Mounting Bracket

Ordercode of Kit	For Models	Content of Kit
TSP-WMK01	TSP 070, TSP 090, TSP 140, TSP 180	1 bracket type A
TSP-WMK02	TSP 360, TSP 600	2 brackets type B

Type A:



Type B:



Dimensions: [mm] () = Inch

Specifications can be changed any time without notice.