

- 1
- 2
- 3
- 4
- 5
- 6
- 7
- 8
- 9
- 10
- 11
- 12
- 13
- 14
- 15
- 16
- 17
- 18

**STANDARD EXECUTIONS**

- **BEL-MF-AN-A**: anodised aluminium body natural colour, rear mounting flange.
- **BEL-MF-AN-B**: anodised aluminium body natural colour, front mounting flange.
- **BEL-MF-ANB-A**: anodised aluminium body black colour, rear mounting flange.
- **BEL-MF-ANB-B**: anodised aluminium body black colour, front mounting flange.

See Bull's eye levels and screw-on levels technical data (on page 780).

**FLUID HOUSING**

Transparent polyamide based technopolymer.

**CONTRAST FLUID**

**K**: colourless.

**SENSITIVITY OF THE BULL'S EYE LEVEL**

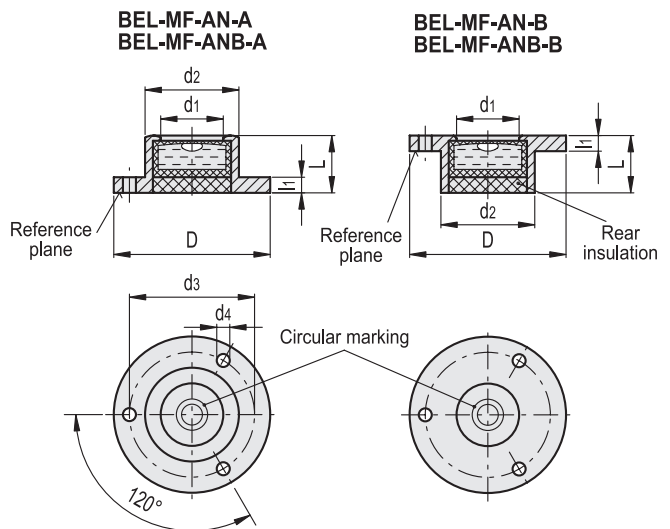
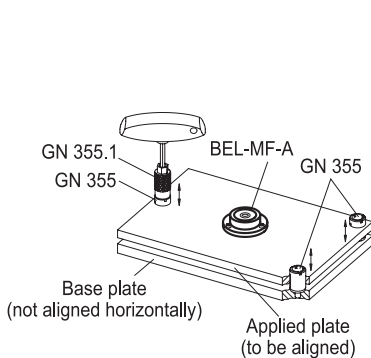
# 30: movement of the bubble by 2 mm for an inclination of the body of 30 angle minutes with respect to the horizontal surface.

**BOTTOM INSULATION**

Hemihydrate gypsum.

**FEATURES AND APPLICATIONS**

BEL-MF bull's eye levels are used to control the horizontal positioning of jigs, machines, devices, equipment and instruments. The alignment with respect to the reference surface or to the contact surface is reached when the bubble is in the center of the circular marking.



**BEL-MF-AN-A**

**BEL-MF-AN-B**

Code	Description	Code	Description	D	d1	d2	d3	d4	L	l1	⚖️
156561	BEL-MF-AN-20-K-30-A	156562	BEL-MF-AN-20-K-30-B	20	10	14	17	1.8	10	1.8	3
156564	BEL-MF-AN-25-K-30-A	156565	BEL-MF-AN-25-K-30-B	25	12	17	21	2.2	10	2	5
156567	BEL-MF-AN-30-K-30-A	156568	BEL-MF-AN-30-K-30-B	30	12	18	24	3.2	11	3	7
156571	BEL-MF-AN-40-K-30-A	156572	BEL-MF-AN-40-K-30-B	40	20	28	34.5	3.2	14	4	14
156574	BEL-MF-AN-50-K-30-A	156575	BEL-MF-AN-50-K-30-B	50	25	34	43	3.2	15	5	25

**BEL-MF-ANB-A**

**BEL-MF-ANB-B**

Code	Description	Code	Description	D	d1	d2	d3	d4	L	l1	⚖️
156581	BEL-MF-ANB-20-K-30-A	156582	BEL-MF-ANB-20-K-30-B	20	10	14	17	1.8	10	1.8	3
156584	BEL-MF-ANB-25-K-30-A	156585	BEL-MF-ANB-25-K-30-B	25	12	17	21	2.2	10	2	5
156587	BEL-MF-ANB-30-K-30-A	156588	BEL-MF-ANB-30-K-30-B	30	12	18	24	3.2	11	3	7
156591	BEL-MF-ANB-40-K-30-A	156592	BEL-MF-ANB-40-K-30-B	40	20	28	34.5	3.2	14	4	14
156594	BEL-MF-ANB-50-K-30-A	156595	BEL-MF-ANB-50-K-30-B	50	25	34	43	3.2	15	5	25

Standard machine parts