

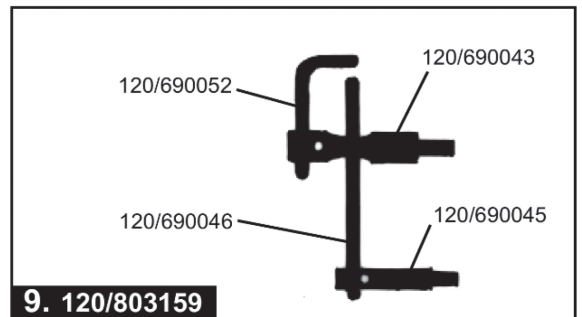
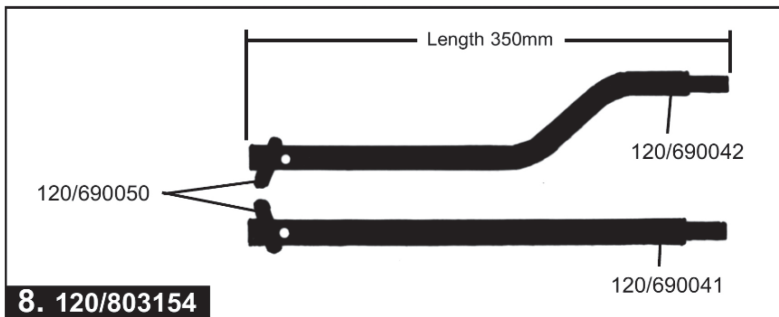
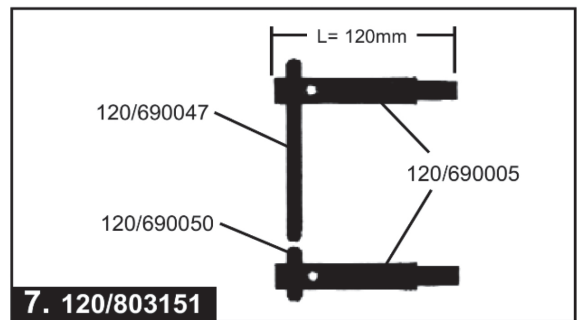
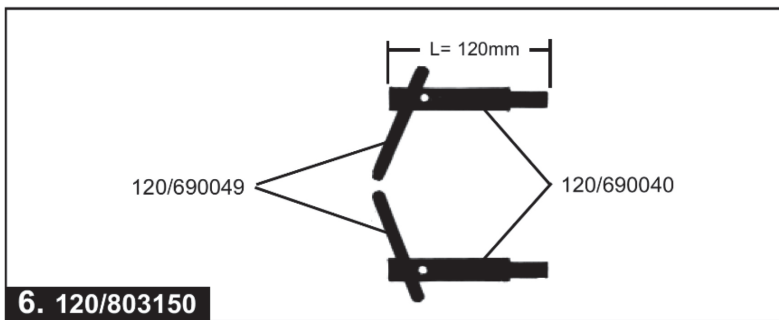
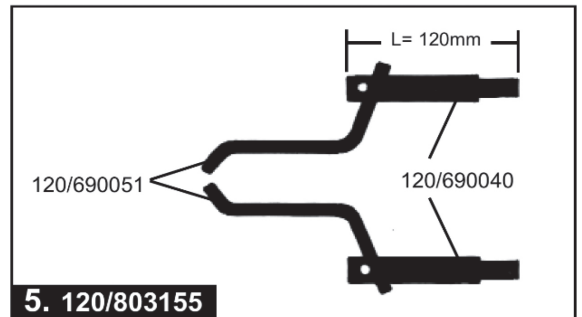
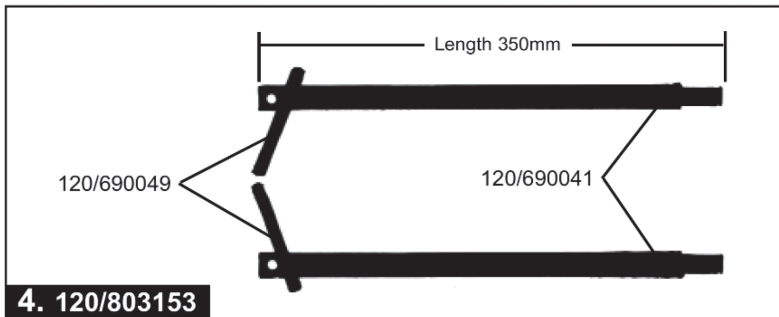
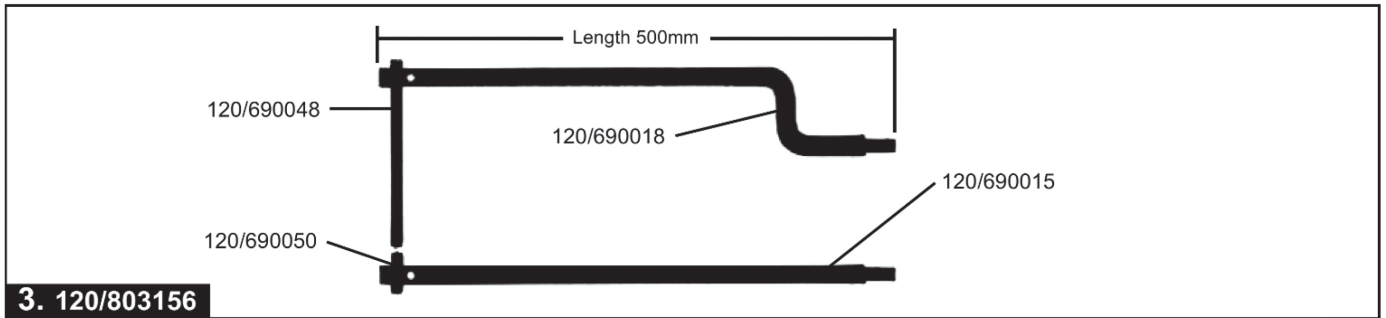
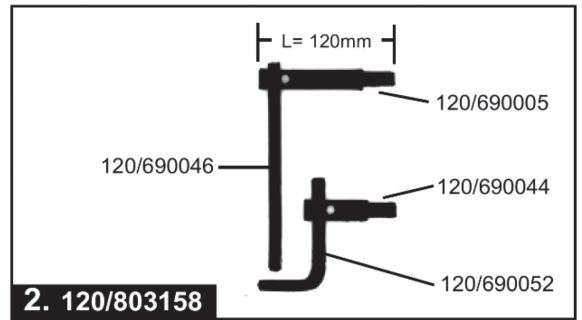
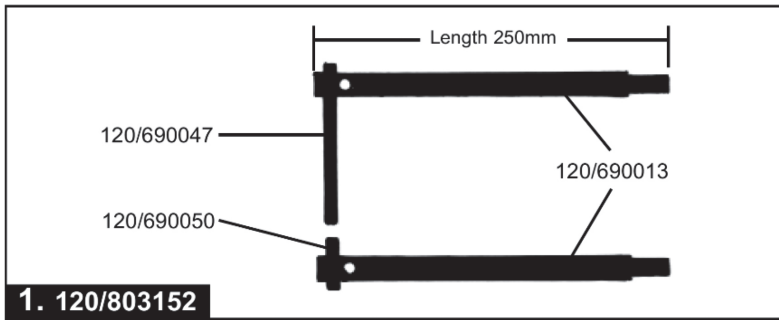
Item	Part No.	Description
1	120/322518	WHITE INDICATOR BUSHING
2	120/112299	POTENTIOMETER KNOB
3	120.980666	TIMER PCB
4	120/122393	MICROSWITCH
5	MC3CX2.5	MAINS CABLE BLK, 3 CORE, 2.5MM2
6	120.169152	TRANSFORMER
7	HHB1465.S	HEX HEAD BOLT M14x65mm SINGLE
8	120/322512	HANDLE COVER
9	120/482887	PIN
10	--	see below part numbers for full range of Arms
11	--	see below part numbers for full range of Electrodes
12	--	see below part numbers for full range of Electrodes
13	120/990046	BUSHING & NUT, CABLE

Item	Part No.	Description
--	120/232113	EYE BOLT (not shown)
--	120.322509	LEFT CASE (not shown)
--	120.322526	RIGHT CASE (not shown)
--	MSP360.S	MACHINE SCREW PAN HEAD PHILLIPS M3x60mm (not shown)
--	120/522020	UPPER ARM CLAMP (not shown)
--	120/522023	LOWER ARM CLAMP (not shown)
--	120/513003	FLEXIBLE ELEMENT (not shown)
--	120/452096	TRIGGER RETURN SPRING (not shown)
--	120/312114	BUSH (not shown)
--	120/322514	INSULATING BUSH (not shown)
--	120/114214	TIMER PCB (not shown)
--	120.452113	HANDLE TENSION SPRING (not shown)
--	120/112152	TRIAC, SR11 (not shown)

NOTE: It is our policy to continually improve products and as such we reserve the right to alter data, specifications and component parts without prior notice.

IMPORTANT: No liability is accepted for incorrect use of product.

WARRANTY: Guarantee is 12 months from purchase date, proof of which will be required for any claim.



NOTE: It is our policy to continually improve products and as such we reserve the right to alter data, specifications and component parts without prior notice.

IMPORTANT: No liability is accepted for incorrect use of product.

WARRANTY: Guarantee is 12 months from purchase date, proof of which will be required for any claim.



Parts Information:
Spot Welder with Timer
Model No: SR122

Item	Part No.	Description
1	120/803152	Spot Welding Arms 250mm Plain Electrode Holder
	120/690047	ELECTRODE STRAIGHT 130mm
	120/690013	ELECTRODE HOLDER ARM L=250MM
	120/690050	ELECTRODE STRAIGHT 50mm
2	120/803158	Spot Welding Arms 120mm Exterior Profiles
	120/690046	ELECTRODE STRAIGHT 215mm
	120/690052	ELECTRODE L 55 x 155mm
	120/690044	ELECTRODE HOLDER
	120/690005	ELECTRODE HOLDER ARM L=120MM
3	120/803156	Spot Welding Arms 500mm Large Opening
	120/690048	ELECTRODE STRAIGHT 195mm
	120/690050	ELECTRODE STRAIGHT 50mm
	120/690018	ELECTRODE HOLDER ARM L=500MM
	120/690015	ELECTRODE HOLDER ARM L=500MM
4	120/803153	Spot Welding Arms 350mm Inclined Electrode Holder
	120/690049	ELECTRODE STRAIGHT 100mm
	120/690041	ELECTRODE HOLDER ARM L=350MM
5	120/803155	Spot Welding Arms 120mm Pincer Electrode
	120/690051	ELECTRODE ANGLED 70 x 100mm
	120/690040	ELECTRODE HOLDER ARM L=120MM

Item	Part No.	Description
6	120/803150	Spot Welding Arms 120mm Inclined Electrode Holder
	120/690049	ELECTRODE STRAIGHT 100mm
	120/690040	ELECTRODE HOLDER ARM L=120MM
7	120/803151	Spot Welding Arms 130mm Plain Electrode Holder
	120/690047	ELECTRODE STRAIGHT 130mm
	120/690050	ELECTRODE STRAIGHT 50mm
	120/690005	ELECTRODE HOLDER ARM L=120MM
8	120/803154	Spot Welding Arms 350mm Curved Electrode Holder
	120/690050	ELECTRODE STRAIGHT 50mm
	120/690042	ELECTRODE HOLDER ARM L=350MM
	120/690041	ELECTRODE HOLDER ARM L=350MM
9	120/803159	Spot Welding Arms 120mm Interior Profiles
	120/690052	ELECTRODE L 55 x 155mm
	120/690046	ELECTRODE STRAIGHT 215mm
	120/690043	ELECTRODE HOLDER
	120/690045	ELECTRODE HOLDER

NOTE: It is our policy to continually improve products and as such we reserve the right to alter data, specifications and component parts without prior notice.

IMPORTANT: No liability is accepted for incorrect use of product.

WARRANTY: Guarantee is 12 months from purchase date, proof of which will be required for any claim.

Sealey Group, Kempson Way, Suffolk Business Park, Bury St Edmunds, Suffolk. IP32 7AR



01284 757500



01284 703534



sales@sealey.co.uk



www.sealey.co.uk