

Electromagnets

Permanent Electromagnets

Sealed

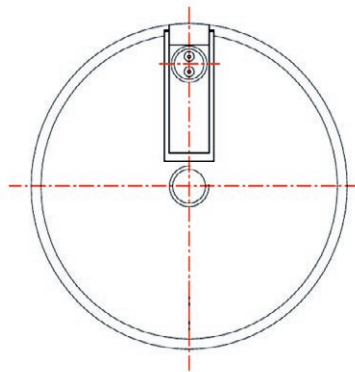
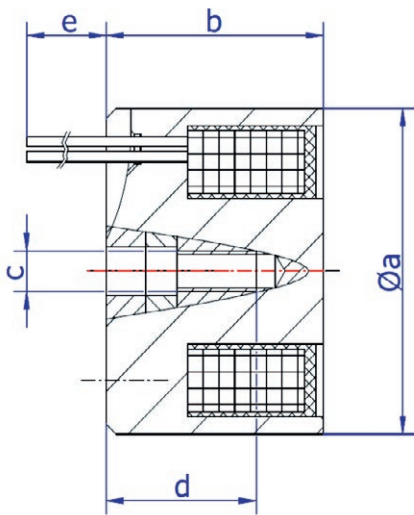
Strong

Extremely energy-efficient

ITS-PE 3529

M

Type



Description

Weight: 200 g

Power: 28,0 Watt

Holdingforce: 300 N

Mounting plates (minimum): 5 mm

Dimension

a	b	c	d	e
35	29	M5	19	200

Solenoid Layout

Current:

12 VDC

24 VDC (standard)

Special development

Do you like a costum designed version (for example frame, force, duty cycle and so on) please send us this form:

[Checklist \(PDF, 390 kB\)](#)