

GN 136 | Thin hinges

Steel or stainless steel sheet



STANDARD EXECUTIONS

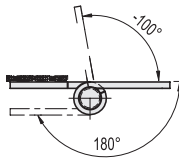
- **GN 136-NI-A:** AISI 304 stainless steel, without holes, for welding.
- **GN 136-NI-B:** AISI 304 stainless steel, holes for cylindrical-head screws.
- **GN 136-NI-C:** AISI 304 stainless steel, holes for countersunk head screws.
- **GN 136-ST-B:** zinc-plated steel, holes for cylindrical-head screws.
- **GN 136-ST-C:** zinc-plated steel, holes for countersunk head screws.

ROTATING PIN

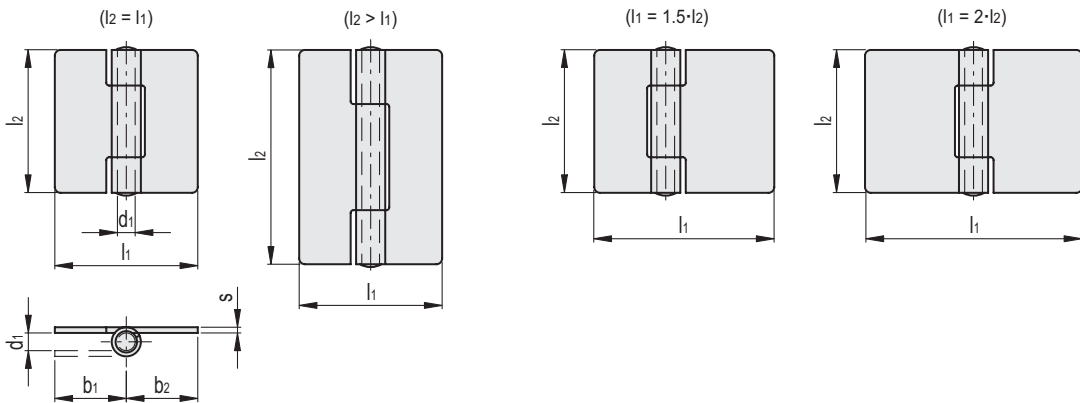
AISI 304 stainless steel.

ROTATION ANGLE (APPROXIMATE VALUE)

Max 280° (-100° and +180° being 0° the condition where the two interconnected surfaces are on the same plane).

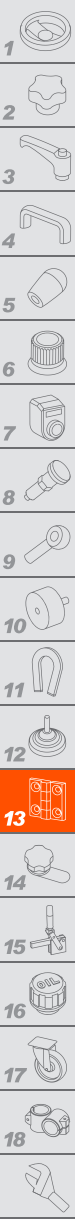


GN 136-NI-A



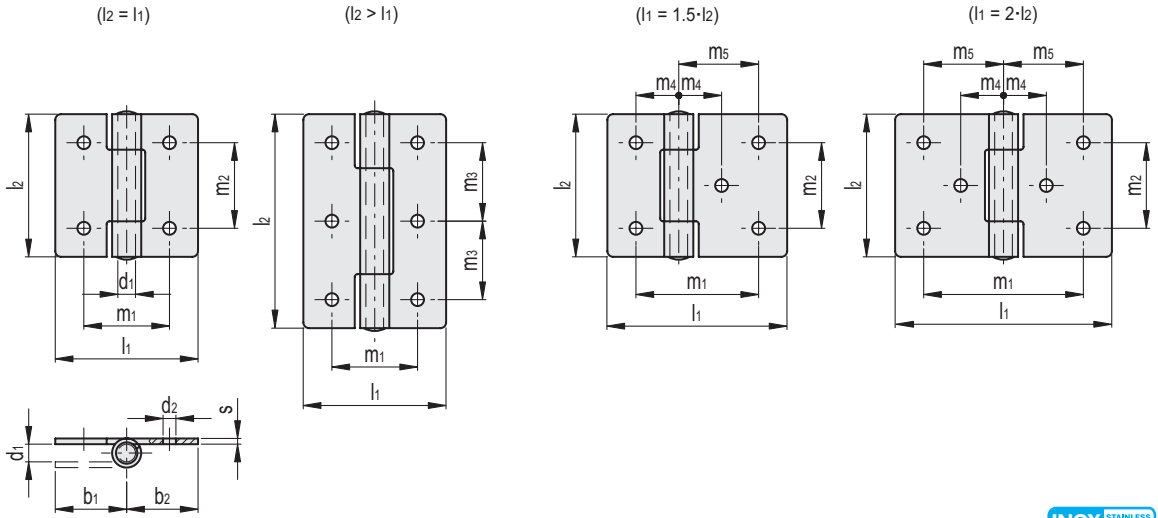
GN 136-NI-A

Code	Description	l1	l2	d1	b1	b2	s	⚖️
GN.44598	GN 136-NI-30-30-A	30	30	3	15	15	1.5	15
GN.44607	GN 136-NI-30-45-A	30	45	3	15	15	1.5	22
GN.44601	GN 136-NI-40-40-A	40	40	4	20	20	2	34
GN.44604	GN 136-NI-40-60-A	40	60	4	20	20	2	52
GN.44646	GN 136-NI-45-30-A	45	30	3	15	30	1.5	20
GN.44611	GN 136-NI-50-50-A	50	50	6	25	25	2	62
GN.44614	GN 136-NI-50-75-A	50	75	6	25	25	2	93
GN.44649	GN 136-NI-60-30-A	60	30	3	30	30	1.5	25
GN.44652	GN 136-NI-60-40-A	60	40	4	20	40	2	47
GN.44621	GN 136-NI-60-60-A	60	60	6	30	30	2	83
GN.44624	GN 136-NI-60-90-A	60	90	6	30	30	2	122
GN.44655	GN 136-NI-75-50-A	75	50	6	25	50	2	81
GN.44658	GN 136-NI-80-40-A	80	40	4	40	40	2	59
GN.44661	GN 136-NI-90-60-A	90	60	6	30	60	2	111
GN.44664	GN 136-NI-100-50-A	100	50	6	50	50	2	99
GN.44667	GN 136-NI-120-60-A	120	60	6	60	60	2	129



Hinges and accessories

GN 136-NI-B
GN 136-ST-B



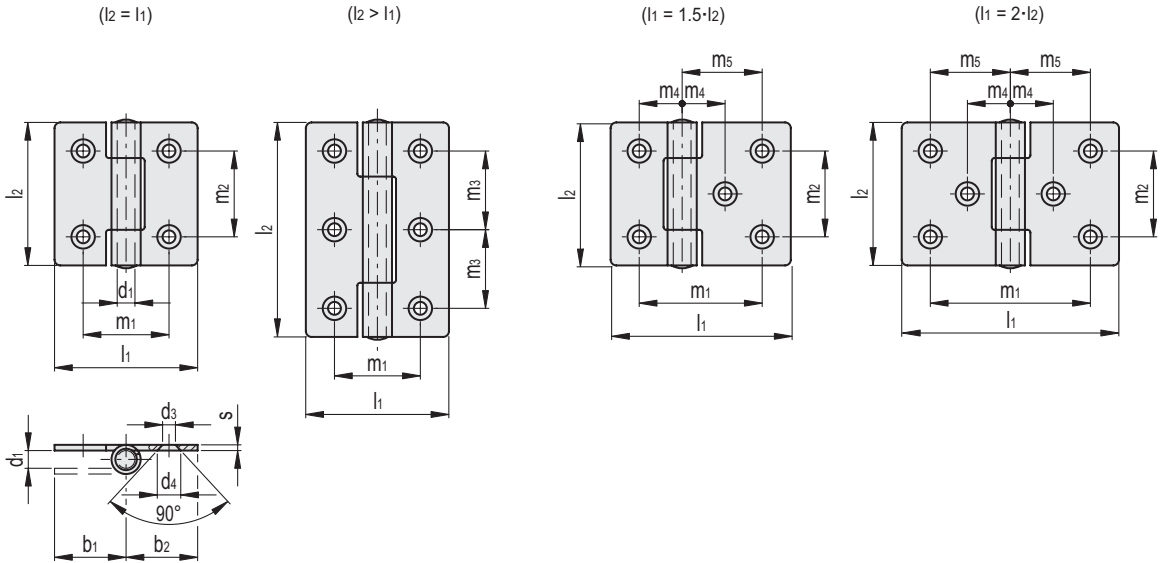
INOX STAINLESS STEEL

GN 136-NI-B

Code	Description	l1	l2	d1	d2	b1	b2	m1	m2	m3	m4	m5	s	△
GN.44599	GN 136-NI-30-30-B	30	30	3	3.2	15	15	18	18	-	-	-	1.5	14
GN.44608	GN 136-NI-30-45-B	30	45	3	3.2	15	15	18	-	16.5	-	-	1.5	21
GN.44602	GN 136-NI-40-40-B	40	40	4	4.2	20	20	25	25	-	-	-	2	33
GN.44605	GN 136-NI-40-60-B	40	60	4	4.2	20	20	25	-	22.5	-	-	2	50
GN.44647	GN 136-NI-45-30-B	45	30	3	3.2	15	30	33	18	-	9	24	1.5	19
GN.44612	GN 136-NI-50-50-B	50	50	6	5.2	25	25	30	30	-	-	-	2	60
GN.44615	GN 136-NI-50-75-B	50	75	6	5.2	25	25	30	-	27.5	-	-	2	90
GN.44650	GN 136-NI-60-30-B	60	30	3	3.2	30	30	48	18	-	9	24	1.5	24
GN.44653	GN 136-NI-60-40-B	60	40	4	4.2	20	40	45	25	-	12.5	32.5	2	46
GN.44622	GN 136-NI-60-60-B	60	60	6	5.2	30	30	36	36	-	-	-	2	82
GN.44625	GN 136-NI-60-90-B	60	90	6	5.2	30	30	36	-	33	-	-	2	120
GN.44656	GN 136-NI-75-50-B	75	50	6	5.2	25	50	55	30	-	15	40	2	79
GN.44659	GN 136-NI-80-40-B	80	40	4	4.2	40	40	65	25	-	12.5	32.5	2	58
GN.44662	GN 136-NI-90-60-B	90	60	6	5.2	30	60	66	36	-	18	48	2	109
GN.44665	GN 136-NI-100-50-B	100	50	6	5.2	50	50	80	30	-	15	40	2	98
GN.44668	GN 136-NI-120-60-B	120	60	6	5.2	60	60	96	36	-	18	48	2	137

GN 136-ST-B

Code	Description	l1	l2	d1	d2	b1	b2	m1	m2	m3	m4	m5	s	△
GN.44627	GN 136-ST-30-30-B	30	30	3	3.2	15	15	18	18	-	-	-	1.5	14
GN.44629	GN 136-ST-30-45-B	30	45	3	3.2	15	15	18	-	16.5	-	-	1.5	22
GN.44631	GN 136-ST-40-40-B	40	40	4	4.2	20	20	25	25	-	-	-	2	33
GN.44634	GN 136-ST-40-60-B	40	60	4	4.2	20	20	25	-	22.5	-	-	2	51
GN.44671	GN 136-ST-45-30-B	45	30	3	3.2	15	30	33	18	-	9	24	1.5	19
GN.44633	GN 136-ST-50-50-B	50	50	6	5.2	25	25	30	30	-	-	-	2	60
GN.44636	GN 136-ST-50-75-B	50	75	6	5.2	25	25	30	-	27.5	-	-	2	90
GN.44673	GN 136-ST-60-30-B	60	30	3	3.2	30	30	48	18	-	9	24	1.5	24
GN.44675	GN 136-ST-60-40-B	60	40	4	4.2	20	40	45	25	-	12.5	32.5	2	46
GN.44642	GN 136-ST-60-60-B	60	60	6	5.2	30	30	36	36	-	-	-	2	82
GN.44644	GN 136-ST-60-90-B	60	90	6	5.2	30	30	36	-	33	-	-	2	122
GN.44677	GN 136-ST-75-50-B	75	50	6	5.2	25	50	55	30	-	15	40	2	79
GN.44679	GN 136-ST-80-40-B	80	40	4	4.2	40	40	65	25	-	12.5	32.5	2	58
GN.44681	GN 136-ST-90-60-B	90	60	6	5.2	30	60	66	36	-	18	48	2	108
GN.44683	GN 136-ST-100-50-B	100	50	6	5.2	50	50	80	30	-	15	40	2	98
GN.44685	GN 136-ST-120-60-B	120	60	6	5.2	60	60	96	36	-	18	48	2	137

GN 136-NI-C
GN 136-ST-C

GN 136-NI-C

INOX STAINLESS STEEL

Code	Description	l1	l2	d1	d3	d4	b1	b2	m1	m2	m3	m4	m5	s	⚖️
GN.44600	GN 136-NI-30-30-C	30	30	3	4	6.4	15	15	18	18	-	-	-	1.5	14
GN.44609	GN 136-NI-30-45-C	30	45	3	4	6.4	15	15	18	-	16.5	-	-	1.5	21
GN.44603	GN 136-NI-40-40-C	40	40	4	5	8.3	20	20	25	25	-	-	-	2	32
GN.44606	GN 136-NI-40-60-C	40	60	4	5	8.3	20	20	25	-	22.5	-	-	2	50
GN.44648	GN 136-NI-45-30-C	45	30	3	4	6.4	15	30	33	18	-	9	24	1.5	19
GN.44613	GN 136-NI-50-50-C	50	50	6	5	8.3	25	25	30	30	-	-	-	2	60
GN.44616	GN 136-NI-50-75-C	50	75	6	5	8.3	25	25	30	-	27.5	-	-	2	90
GN.44651	GN 136-NI-60-30-C	60	30	3	4	6.4	30	30	48	18	-	9	24	1.5	24
GN.44654	GN 136-NI-60-40-C	60	40	4	5	8.3	20	40	45	25	-	12.5	32.5	2	44
GN.44623	GN 136-NI-60-60-C	60	60	6	5	8.3	30	30	36	36	-	-	-	2	81
GN.44626	GN 136-NI-60-90-C	60	90	6	5	8.3	30	30	36	-	33	-	-	2	120
GN.44657	GN 136-NI-75-50-C	75	50	6	5	8.3	25	50	55	30	-	15	40	2	78
GN.44660	GN 136-NI-80-40-C	80	40	4	5	8.3	40	40	65	25	-	12.5	32.5	2	56
GN.44663	GN 136-NI-90-60-C	90	60	6	5	8.3	30	60	66	36	-	18	48	2	108
GN.44666	GN 136-NI-100-50-C	100	50	6	5	8.3	50	50	80	30	-	15	40	2	96
GN.44669	GN 136-NI-120-60-C	120	60	6	5	8.3	60	60	96	36	-	18	48	2	135

GN 136-ST-C

Code	Description	l1	l2	d1	d3	d4	b1	b2	m1	m2	m3	m4	m5	s	⚖️
GN.44628	GN 136-ST-30-30-C	30	30	3	4	6.4	15	15	18	18	-	-	-	1.5	14
GN.44630	GN 136-ST-30-45-C	30	45	3	4	6.4	15	15	18	-	16.5	-	-	1.5	21
GN.44632	GN 136-ST-40-40-C	40	40	4	5	8.3	20	20	25	25	-	-	-	2	32
GN.44635	GN 136-ST-40-60-C	40	60	4	5	8.3	20	20	25	-	22.5	-	-	2	51
GN.44672	GN 136-ST-45-30-C	45	30	3	4	6.4	15	30	33	18	-	9	24	1.5	184
GN.44641	GN 136-ST-50-50-C	50	50	6	5	8.3	25	25	30	30	-	-	-	2	60
GN.44637	GN 136-ST-50-75-C	50	75	6	5	8.3	25	25	30	-	27.5	-	-	2	89
GN.44674	GN 136-ST-60-30-C	60	30	3	4	6.4	30	30	48	18	-	9	24	1.5	24
GN.44676	GN 136-ST-60-40-C	60	40	4	5	8.3	20	40	45	25	-	12.5	32.5	2	45
GN.44643	GN 136-ST-60-60-C	60	60	6	5	8.3	30	30	36	36	-	-	-	2	81
GN.44645	GN 136-ST-60-90-C	60	90	6	5	8.3	30	30	36	-	33	-	-	2	122
GN.44678	GN 136-ST-75-50-C	75	50	6	5	8.3	25	50	55	30	-	15	40	2	79
GN.44680	GN 136-ST-80-40-C	80	40	4	5	8.3	40	40	65	25	-	12.5	32.5	2	57
GN.44682	GN 136-ST-90-60-C	90	60	6	5	8.3	30	60	66	36	-	18	48	2	107
GN.44684	GN 136-ST-100-50-C	100	50	6	5	8.3	50	50	80	30	-	15	40	2	98
GN.44686	GN 136-ST-120-60-C	120	60	6	5	8.3	60	60	96	36	-	18	48	2	135

