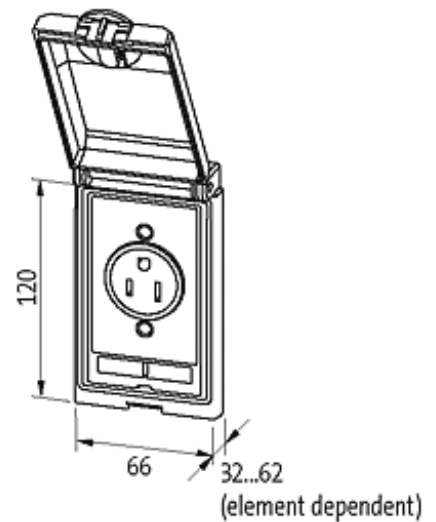


**MODLINK MSDD FRAME SINGLE METAL**

Nickeled

Frame: metal, matte nickel plated

Lid: metal, matte nickel plated

[Link to Product](#)**Illustration**

Product may differ from Image

**Approvals**



### Frame

suitable for mounting with wall thickness	1...5 mm
Protection	IP65
Housing	Zinc die-casting, with surface finishing
Dimensions H x W x D	120x65x38
Temperature range	-10...+60 °C (storage temperature -25...+60 °C)
Shielded	yes

### General data

Dimensions H x W x D	120x65x38 mm
----------------------	--------------

### Commercial data

country of origin	DE
customs tariff number	85389099
minimum order quantity	1