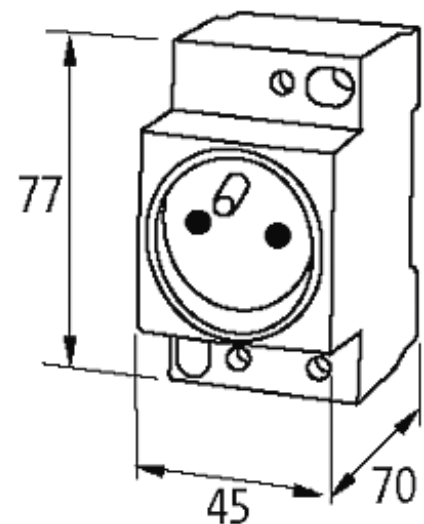


**MSVD POWER SOCKET UTE**

Mounting rail

France (UTE-NF) white

Screw terminals

[Link to Product](#)**Illustration**

Product may differ from Image

**Approvals**

UTE

**Technical Data**

Operating voltage	max. 250 V AC
-------------------	---------------

Operating current	max. 16 A
-------------------	-----------

**General data**

Mounting method	DIN-rail mountable (EN 60715)
-----------------	-------------------------------

Connection	Screw terminals: max. 2 × 6 mm <sup>2</sup>
------------	---

Dimensions H × W × D	77×45×70 mm
----------------------	-------------

**Commercial data**

country of origin	BE
-------------------	----

customs tariff number	85369010
-----------------------	----------

minimum order quantity	1
------------------------	---