

A2523068

ROUND KNOB 23, without line

Suitable for rotary potentiometer with round shaft ends according to DIN 41591. Collet system for convenient knob assembly from the front and simple adjustment (with adjustment key - sep. article). Continuous center hole.
 Max. torque: assembly = 1,2 Nm, function = 1,0 Nm.

Supply

1 round knob



TECHNICAL DATA

Material	ABS (UL 94 HB)	Diameter	23 mm
Colour	dusty grey RAL 7037	Height	15 mm
Standards	RoHS compliant, REACH compliant	Bore hole	6 mm

Please take the dimensions from current parts. These are subject to material- and manufacturing-specific tolerances.

PURCHASING DATA

Weight/1 part	6.9 g
Customs tariff number (OKW product)	84879090
Country of manufacture	Germany

CUSTOMISING OPTIONS

What else do you need to create your own personal product? We can supply our enclosures and tuning knobs fully modified to suit your electronic components and design requirements. Please advise for anything else we can do for you.

A2523068

ROUND KNOB 23, without line

Customising options for A2523068



Machining



Printing



Installation / Assembly
of accessories

A2523068

ROUND KNOB 23, without line

SYSTEM COMPONENTS TO COMPLETE



A4123000
Cover 23, without line
ABS (UL 94 HB)
black RAL 9005



A4123002
Cover 23, without line
ABS (UL 94 HB)
red RAL F12/0-10



A4123004
Cover 23 without line
ABS (UL 94 HB)
yellow RAL F12/0-1



A4123006
Cover 23, without line
ABS (UL 94 HB)
light blue RAL 5012



A4123007
Cover 23, without line
ABS (UL 94 HB)
pebble grey RAL 7032



A4123008
Cover 23, without line
ABS (UL 94 HB)
dusty grey RAL 7037



A4123100
Cover 23, with line
ABS (UL 94 HB)
black RAL 9005



A4123102
Cover 23, with line
ABS (UL 94 HB)
red RAL F12/0-10



A4123105
Cover 23, with line
ABS (UL 94 HB)
green RAL F12/0-43



A4123106
Cover 23, with line
ABS (UL 94 HB)
light blue RAL 5012



A4123107
Cover 23, with line
ABS (UL 94 HB)
pebble grey RAL 7032



A4123108
Cover 23, with line
ABS (UL 94 HB)
dusty grey RAL 7037

ACCESSORY "SCREWS"



A6207009
Round nut M7 x 0.75



A6210009
Round nut M10 x 0.75



A6295009
Round nut 3/8"-32G



A6300000
Spanner

A2523068

ROUND KNOB 23, without line

ACCESSORY



A4223000
 Arrow disk 23
 ABS (UL 94 HB)
 black RAL 9005



A4223002
 Arrow disk 23
 ABS (UL 94 HB)
 red RAL F12/0-10



A4223008
 Arrow disk 23
 ABS (UL 94 HB)
 dusty grey RAL 7037



A4423010
 Dial 23
 PC (UL 94 HB)
 transparent



A4423020
 Dial 23
 PC (UL 94 HB)
 transparent



A4423039
 Dial 23
 PC (UL 94 HB)
 transparent



A4423060
 Dial 23
 PC (UL 94 HB)
 transparent



A6023019
 Stator 23
 Aluminium



A6403005
 Adjusting key 20/23/31
 ABS (UL 94 HB)
 green

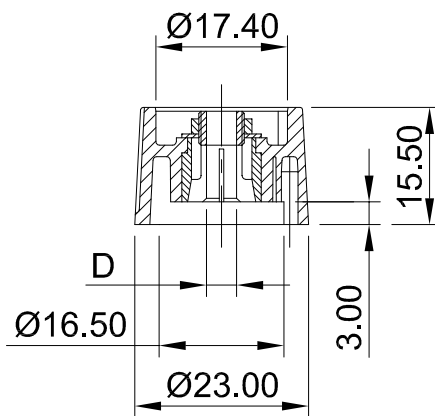


A6600064
 Torsion protection 6/4.6



A7323010
 Disk 23, with line
 ABS (UL 94 HB)
 black RAL 9005

Subject to technical modification without notice. © by OKW Gehäusesysteme, Buchen/Germany.



Informationskopie
Copy for Information
 will not be updated
 wird nicht aktualisiert

Technische Änderungen vorbehalten. Irrtümer und Druckfehler begründen keinen Anspruch auf Schadenersatz. Wichtige Einbaumaße bitte direkt mit dem aktuellen Produkt abstimmen.

Subject to technical modification without prior notice. Typographical and other errors do not justify any claim for damages. All dimensions should be verified using an actual moulded part.

Sous réserve de modifications techniques. Toute erreur ou faute d'impression ne justifie aucune demande d'indemnisation. Nous prions les clients de vérifier les dimensions des composants avec les boîtiers avant le montage.

Bearb. am: 01.03.94
 Ersteller: HASSELB
 Freigabe:
 Rev. Index: 2
 Stand: 07.05.04

OKW
GEHÄUSE
SYSTEME

Material:

Farbe:

This document contains proprietary information of OKW Gehäusesysteme GmbH and is tendered subject to the conditions that the information be retained in confidence not be reproduced or copied and not be used or incorporated in any product.

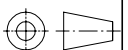
KOMBI
ROUND KNOB 23

A2*23***

Für dieses Dokument behalten wir uns alle Urheberrechte vor. Es darf auch auszugsweise weder vervielfältigt noch Dritten in irgendeiner Form zugänglich gemacht werden.

Toleranzen:
 DIN 16901 T130

Zeichnungsart:
 KATALOG



DIN 6 Teil 2

Maßstab:

1:1

Bearbeiter:
 Hasselb

Dateiname:
 000848-3