



VQ-RANGE

INSTALLATION AND OPERATING MANUAL
PLEASE LEAVE WITH OPERATOR



VQ3.5 & VQ7 – SERIES 1

Imperial Machine Company Limited
Unit 1, Abbey Road
Wrexham Industrial Estate
Wrexham LL13 9RF
Tel: +44 (0)1978 661155
Fax: +44 (0)1978 729990
Service Fax: +44 (0)1978 667766
Spares Fax: +44 (0)1978 667759
E-mail: info@imco.co.uk
Website: www.imco.co.uk

EC DECLARATION OF CONFORMITY
(Guarantee of Production Quality)



We, Imperial Machine Company Limited of:
Unit 1, Abbey Road, Wrexham Industrial Estate, Wrexham, LL13 9RF
Declare under our sole responsibility that the machine

VQ3.5 & VQ7 - SERIES 1

As described in the attached technical documentation is in conformity with the Machine Safety Directive 98/37/EC and is manufactured under a quality system BS EN ISO 9001. It is also in conformity with the protection requirements of the Electro Magnetic Compatibility Directive 2004/108/EEC and is manufactured in accordance with harmonised standards EN 61000-6-1 Immunity and EN 61000-6-3 Emissions (plus product specific standards). It also satisfies the essential requirements of the Low Voltage Directive 2006/95/EC and is manufactured in accordance with harmonised standard EN 60204-1 Safety of Machinery (Electrical Equipment).

Approved by E Plumb, Engineering Manager

A handwritten signature in black ink, appearing to read 'E Plumb', is written over a light grey signature line.

Signed at Wrexham, March 2015

INDEX

GUARANTEE	1
DELIVERY	1
SAMPLE RATING LABEL	1
INTRODUCTION	2
YOUR PEELER	2
Work top models.....	3
Trolley installation	4
Pedestal installation	4
ELECTRICITY SUPPLY CONNECTION	5
WATER SUPPLY	6
WASTE OUTLET CONNECTION.....	6
Waste ejector (Optional Extra).....	6
Waste Ejector adjustments	7
COMMISSIONING	7
OPERATION.....	8
SAFETY.....	9
CLEANING	9
MAINTENANCE	10
DO'S AND DON'TS.....	10
TROUBLESHOOTING.....	10
ORDERING SPARE PARTS	11
MATERIAL CONTENT	11
WIRING DIAGRAM - 1 PHASE	12
WIRING DIAGRAM - 3 PHASE	13
EXPLODED VIEW : EXTERNAL PARTS.....	14
EXPLODED VIEW : CYLINDER ASSEMBLY	15
EXPLODED VIEW: INTERNAL PARTS.....	16
EXPLODED VIEWS : MOTOR ASSEMBLY & ELECTRICAL BOX	19

GUARANTEE

This equipment is guaranteed by IMC for 2 years from the date of its dispatch from IMC, or from the date that the end user informs IMC in writing that they are in receipt of the product from one of IMC's stockists, dealers or distributors. The guarantee is limited to the replacement of faulty parts or products and excludes any consequential loss or expense incurred by purchasers. Defects which arise from incorrect use, faulty installation, inadequate maintenance, connection to the wrong electricity supply or fair wear and tear are not covered by the guarantee.

Please observe these instructions carefully.

The guarantee applies in this form to installations within the United Kingdom only.

DELIVERY

The packaged machine consists of:


Peeler Unit	1
Peeling plate	1
Water supply pipe and 2 hose clips	1
Rubber waste outlet hose	1
Instruction Booklet	1

If any accessories have been ordered they will be supplied in separate packages.

Please notify both the carrier and the supplier within three days of receipt if anything is missing or damaged.

Check that the correct machine has been supplied and that the voltage, marked on the rating plate, is suitable for the supply available. The rating plate is located at the back of the cylinder near the supply cable inlet.

SAMPLE RATING LABEL

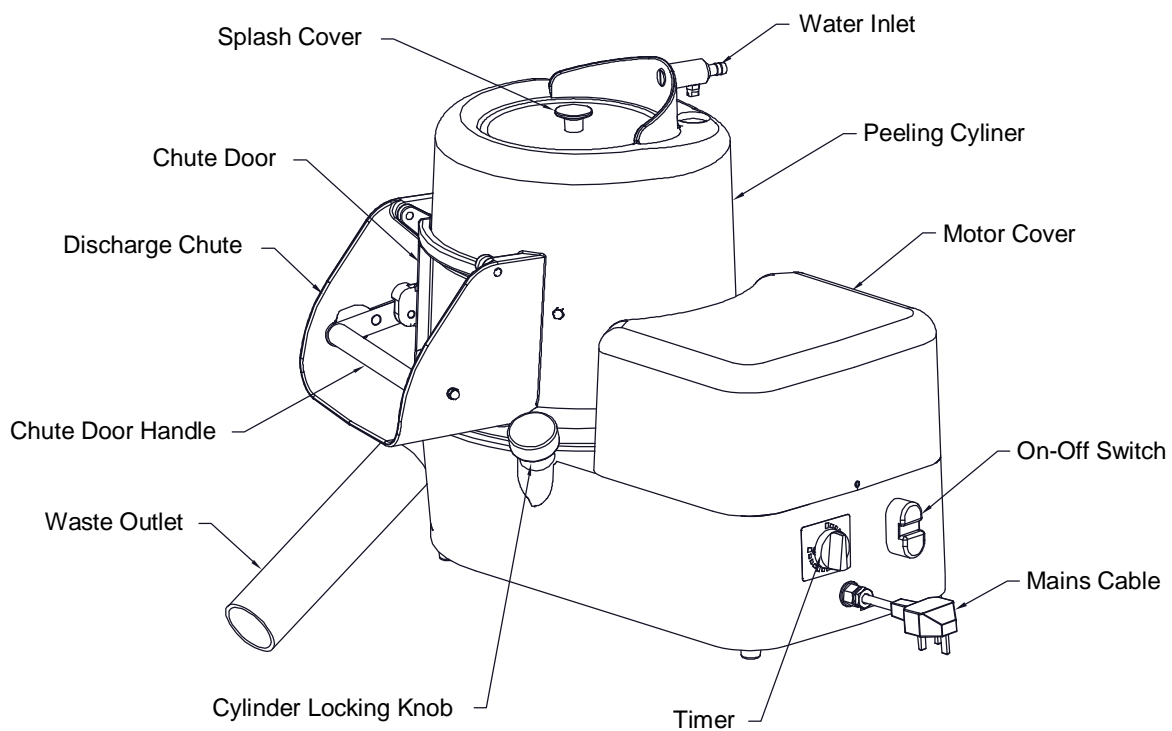
imc IMPERIAL MACHINE COMPANY Ltd LL13 9RF, UNITED KINGDOM TEL +44 (0)1978 661155		 CE	
POTATO PEELER		FREQUENCY(Hz)	50
TYPE / MODEL	VQ7	IP RATING	IP55
VOLTAGE RANGE	400	dB (A)	50
PHASE	3	AMPS (MAX)	0.7
SERIES #	1	kW (MAX)	0.18
SERIAL NUMBER = 72111110001			

www.imco.co.uk

INTRODUCTION

This machine is intended for peeling potatoes. Its use may be extended to other root vegetables. It is not recommended to use this machine for peeling onions.

YOUR PEELER



INSTALLATION

For the Installer:

These Instructions contain important information designed to help the user obtain the maximum benefit from the investment in an IMC VQ Peeler.

Please read them carefully before starting work, and consult with the supplier in the event of any queries.

Be sure to leave this Instruction Manual with the user after the installation of the machine is complete.

Procedure:

Work top models

The VQ Range is designed to stand on a bench, table, or on a draining board.

DO NOT mount or operate the unit in a sink.

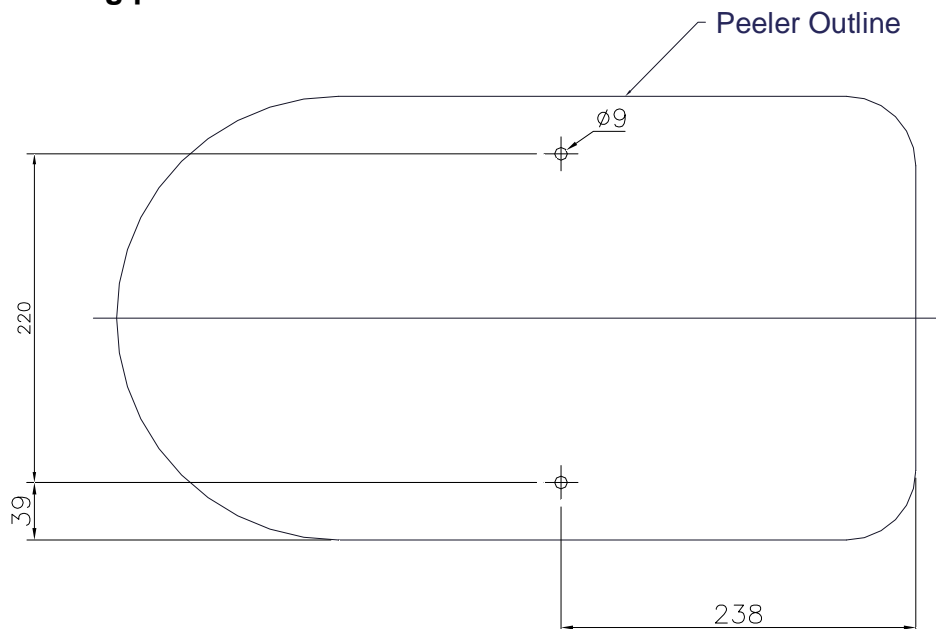
The peeled potatoes are commonly discharged into a sink and the waste sludge can be piped away separately, possibly using the waste ejector fitting.

Alternatively, with lightly used machines the waste can be directed into the sink skip that acts a strainer in the sink. The peeler is not handed and can be located on a worktop either side of the sink. The discharge cylinder can be rotated to suit the installation. Ensure that the machine is sited so that the control panel is in easy reach of the operator.

If it is required to secure the peeler to the worktop then the unit can be bolted down as described below.

The diagram shows the position and size of the holes required in the worktop. Ensure that whatever is used for the worktop is sturdy and rigid and not more than 900 mm high. A higher table makes it difficult to load the machine. Place peeler over the fixing holes and secure to the worktop using M8 screws (Not included) that are 10mm longer than the thickness of the worktop.

Bench securing points



Trolley installation

The peeler can be mounted onto a trolley. If ordered, the trolley will be supplied in separate packaging. Mounting the peeler to the trolley is straightforward as follows:

- First it is advisable to remove the cylinder pot assembly and peeler plate before mounting on trolley.
- Place the peeler base onto the trolley and carefully tilt to one side and screw the 2 off adaptor spacers supplied into the holes provided on the base plate. Feed the adaptor spacer fixing screws through the 2 holes provided @ 220 mm centres).

Note: Top plate is multi functional so please be aware of which holes to use prior to fitting.

- Secure the peeler to the trolley with the 2 off Nyloc nuts provided.
- Reassemble the peeler plate and cylinder pot assembly.

Pedestal installation

The peeler can be mounted onto an adjustable pedestal. If ordered, the pedestal will be supplied in separate packaging. Securing the pedestal to the floor and mounting the peeler to the pedestal is straightforward as follows:

- Place the assembled pedestal from the packaging to the required peeling position and marked on the floor the positions of the fixing holes in the feet .
- Drill holes at these marks and secure the pedestal to the floor using rawl bolts or other suitable floor fixings.
- Select the height of the pedestal required for peeling and secure with the fasteners supplied.
- For mounting the peeler to the pedestal top it advisable to remove the cylinder pot assembly and peeler plate.
- Place the peeler base onto the pedestal top and carefully tilt to one side and screw the 2 off adaptor spacers supplied into the holes provided on the base plate. Feed the adaptor spacer fixing screws through the holes in the pedestal top.
- Secure the peeler to the pedestal with the 2 off nuts provided.
- Reassemble the peeler plate and cylinder pot assembly.

The discharge chute heights possible with the pedestal are as follows:

Locating hole	Min	2 nd	3 rd	4 th	Max
Chute height (mm)	750	800	850	900	950

ELECTRICITY SUPPLY CONNECTION

Before connecting, examine the rating plate attached to the machine to ensure that the characteristics shown are correct for the supply available. Any changes to the supply or new mains runs should be carried out by a qualified electrician and in accordance with the IEE Codes of Practice.

Single-phase machines come supplied with a moulded three-pin plug fitted with a 10A rated fuse. The socket used should be away from any splash area.

Three phase machines should be connected to a 30A isolator providing at least 3mm separation in all poles. The isolator should be fused at 6A.

The supply to the machine must also be protected by a 30mA RCD.

The mains lead fitted to the machine is the minimum required for individual connection to the mains supply. Site conditions may vary with additional length of cable run, encapsulation in trunking, bunched with other cables, etc, being required. Should this apply, the qualified electrician must alter the lead in accordance with the IEE Codes of Practice.

WARNING: This machine must be earthed

The wires in the mains lead for single-phase supply are coloured:

Green and Yellow	Earth
Brown	Live
Blue	Neutral

The wires in the mains lead for three-phase supply are coloured:

Green and Yellow	Earth
Brown	Phase 1
Black	Phase 2
Grey	Phase 3

The three-phase machines do not have a neutral wire; if the supply has a neutral wire isolate it and wire the unit only to the three-phases and earth.

WATER SUPPLY

Connect the water supply pipe to the hose tail located on the top of the cylinder. Fit the other end of the supply pipe to a cold water supply.

PLEASE NOTE: these machines are fitted with an air-break to prevent back syphonage into the mains supply, but some local authorities may nevertheless require connection to a storage cistern rather than direct to the mains supply. This applies to UK installations only. Overseas customers should install the machine in accordance with local regulations.

IF IN DOUBT, CHECK WITH YOUR LOCAL AUTHORITY

WASTE OUTLET CONNECTION

If emptying the waste into a sink is not desired then the peeler can be plumbed into the waste pipes. The waste outlet pipe fits over standard 2+pipe and should be secured by a jubilee clip. The length of the pipe should be kept to a minimum and the size must not be reduced. The pipe must have a fall of at least 1:15 and changes of direction should be made by swept bends rather than elbows. Cleaning eyes should be fitted where possible in accordance with standard plumbing practice.

Waste ejector (Optional Extra)

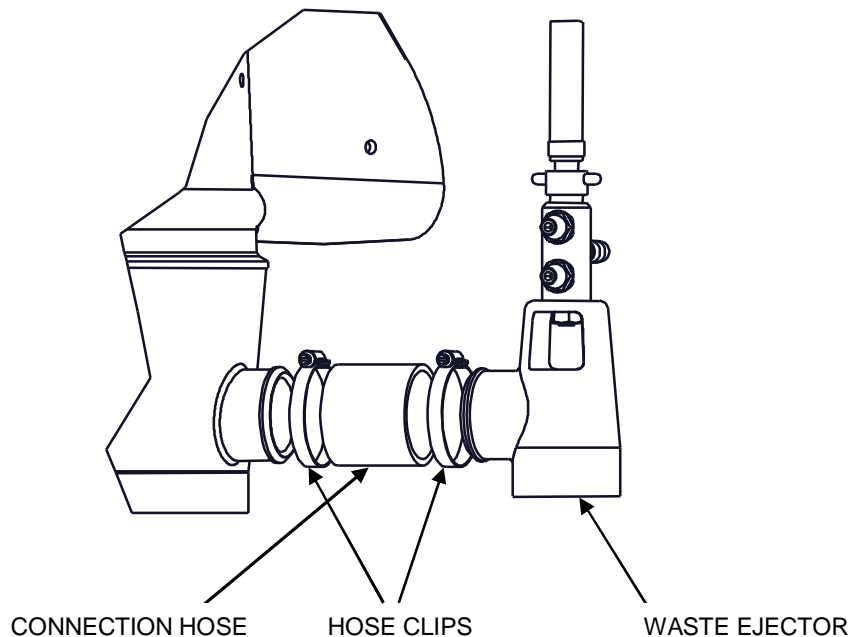
The waste ejector is a fitting that dilutes the waste sludge to enable it to flow easily through the drains.

Waste Ejectors are not recommended in the follow circumstances;

- A pipe run exceeding 15m between the machine and main drain
- When a fall of 1:15 cannot be achieved
- When piping is exceptionally complex

In any of the above cases an interceptor tank is recommended.

The waste ejector fits onto the waste outlet boss in place of the waste outlet hose, as shown below. Ensure that the ejector body is vertical and secure in place with the jubilee clips supplied. The water supply to the ejector is via the hose tail on top of the waste ejector. The ejector unit has a 2+BSP connection for the waste piping.



Waste Ejector adjustments

When the pipe-work is complete set the ejector adjustments to give the correct water flow through the machine. Two adjusting screws and lock nuts are provided for this purpose. The top one controls the flow through the peeler and the lower one controls the jet to the waste pipe. Adjust the top screw until the flow through the machine is between 2.25 and 7 litres per minute, and then tighten the lock nut. Set the lower screw to allow a jet of water into the waste pipe of 2.25 to 3.5 litres per minute, and then tighten the lock nut.

COMMISSIONING

After making the electrical connection, switch on the machine, and ensure that the unit will only run with cylinder in position. Then check that the direction of rotation of the shaft is **CLOCKWISE** when viewed from above.

The direction of rotation of single-phase units is set at the factory. If it is not rotating in the correct direction, contact IMC. To change the direction of rotation of three-phase units, switch off the machine, isolate the supply and interchange any two phase wires.

OPERATION

- 1 Fit the peeler plate, ensuring that it is properly located on the drive shaft.
- 2 Fit the cylinder and rotate into the required position. Lock into position with the two locking knobs.
- 3 Measure out the potatoes into a container that holds a known measured weight, and check for any stones that could damage the abrasive. Should this happen, the noise will indicate the presence of stones. Switch off immediately and remove them.
- 4 Set the time required on the timer . two to two and a half minutes is normally more than adequate - and press the upper GREEN start button on the on-off switch. Turn on the water supply.
- 5 Ensure that the chute discharge door is closed. Load the potatoes into the peeler and place the splash cover onto the top of the cylinder.
- 6 The machine is now operating. The splash cover can removed to check the progress of the peeling process. The peeler can be stopped before the end of any timed cycle by pressing the lower Red stop button on the on-off switch
- 7 On completion of the cycle the peeler will stop. Turn off the water supply, Set the timer for 30 seconds and press the upper GREEN start button, then open the chute door slowly to evacuate the potatoes, press the lower RED stop button on the on-off switch when the peeler is empty.
- 8 When moving the machine to its working or storage place it is advisable to remove the cylinder assembly first before attempting to carry. This will make the machine lighter and easier to handle.



ON NO ACCOUNT put a hand or any implement into the machine, or wedge the door open while discharging.

SAFETY

All VQ-Range machines are fitted with a number of safety features to prevent operator injury.

Interrupt protection: If the electricity supply is interrupted the machine will not restart until the upper GREEN button on the on-of switch is pressed again.

Cylinder interlock: If the cylinder is removed the motor will not start until it is replaced, and the green start button has been pressed.

CLEANING

It is essential to clean the machine at least once a day, preferably at the end of each period of operation.

- 1 Switch off at the socket or isolator.
- 2 Disconnect the water supply from the tap.
- 3 Remove the peeling cylinder.
- 4 Lift out the peeling plate.
- 5 Clean the peeling plate and cylinder in a sink, potwash or by hosing with a spray.
- 6 Rinse the inside of the base with warm water, using a mild detergent if necessary.
- 7 Wipe the exterior of the machine with a damp cloth, again using a mild detergent if required.

DO NOT USE CLEANING MATERIALS CONTAINING ABRASIVES OR BLEACHES.

DO NOT STEAM CLEAN

MAINTENANCE

Other than regular cleaning the VQ-Range of peelers require no maintenance by the end user. It is recommended that an IMC approved engineer services the unit at least once a year.

Details of IMC Service Contracts are available on application.

DO'S AND DON'TS

- Do** Install on a level surface.
- Do** Ensure power supply isolator or socket is accessible with the peeler installed.
- Do** Clean the machine after each period of use.
- Don't** Site the peeler in a sink.
- Don't** Sit or stand on top of the peeler.
- Don't** Place hands inside unit while discharging or peeling.
- Don't** Use the unit outside.

TROUBLESHOOTING

Problem	Potential Reason	Solution
Excessive water spillage	Door is not closed	Ensure handle is pushed down firmly and secured at stops
	Splash lid not seated properly	Ensure top of cylinder is clean allowing lid to sit correctly
	Water pressure too high	Reduce water pressure

If you experience any problems that cannot be resolved by following these solutions, please contact the IMC Service Department on the number below.

ORDERING SPARE PARTS

In the event that spare parts or accessories need to be ordered, please always quote the SERIES AND SERIAL NUMBER of the machine. This is to be found on the rating plate located near the supply cable.

For installations outside the UK please contact your supplier.

For information on IMC spares and service support (if applicable), please call IMC on +44 (0)1978 661155. Alternatively, contact us via email or fax:

IMC Service Desk

Fax: +44 (0)1978 667766

E-mail: service@imco.co.uk

IMC Spares Desk

Fax: +44 (0)1978 667759

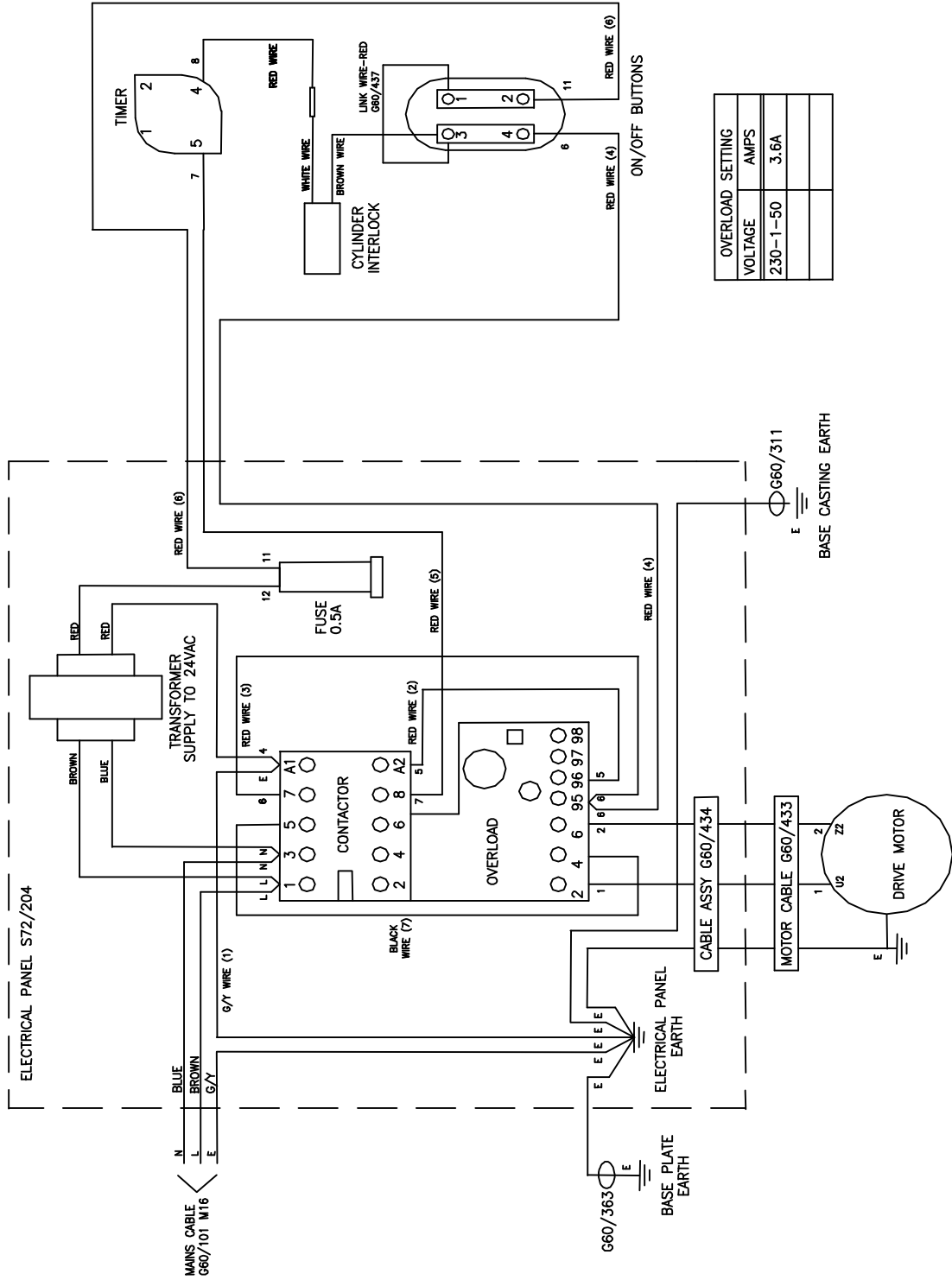
E-mail: spares@imco.co.uk

MATERIAL CONTENT

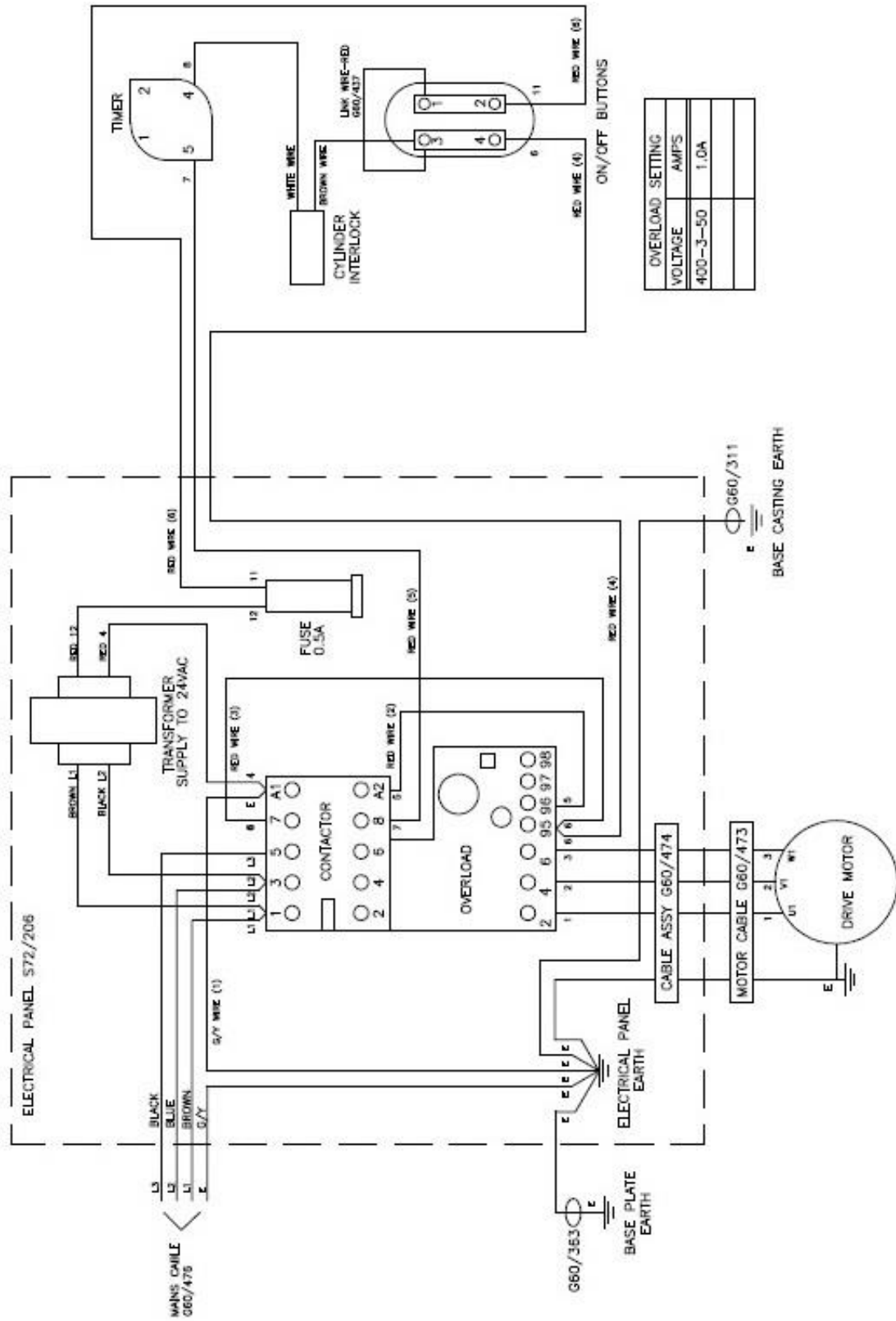
The VQ-Range peelers contain the following materials:

Metals	Stainless steel, Mild steel (inc plated), Aluminium and copper.
Plastics and rubber	Polycarbonate, Nylon, Neoprene rubber.
Other	Aluminium oxide, electrical components.

WIRING DIAGRAM - 1 PHASE

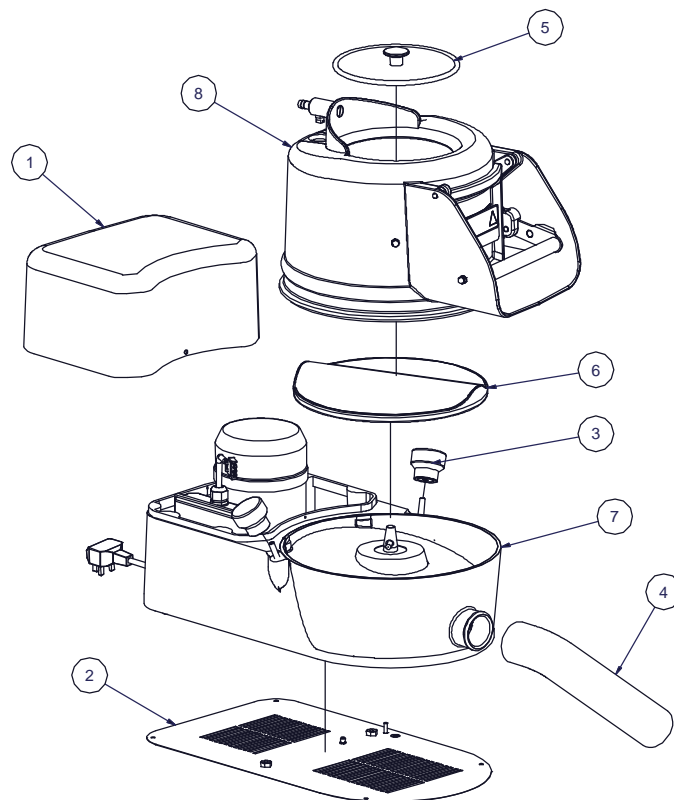


WIRING DIAGRAM - 3 PHASE



OVERLOAD SETTING	
VOLTAGE	AMPS
400-3-50	1.0A

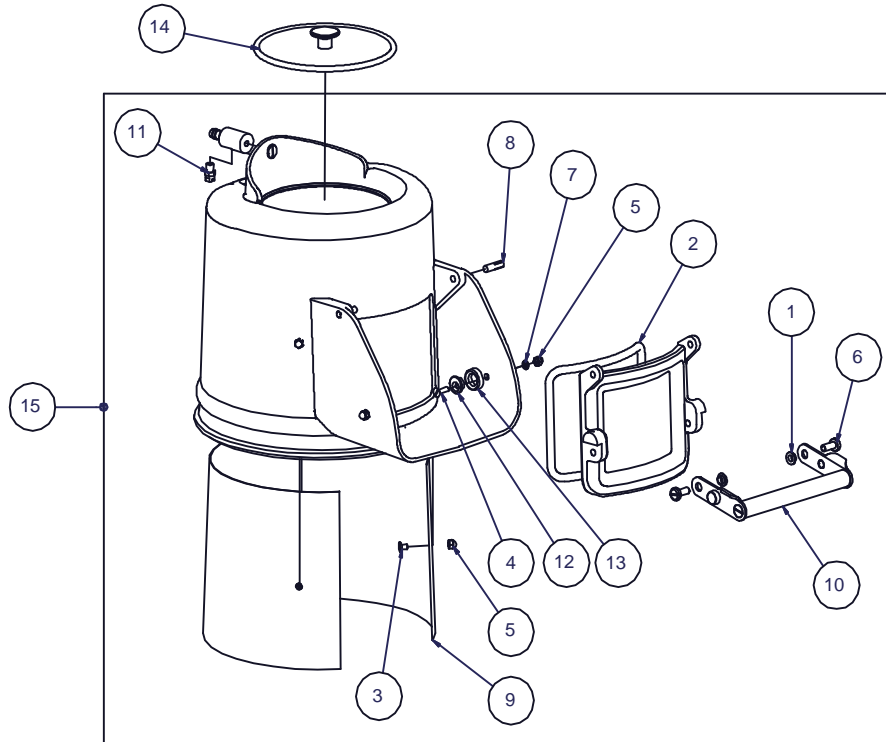
EXPLODED VIEW : EXTERNAL PARTS



	VQ3.5		VQ7	
Item	Part No	Description	Part No	Description
1	C72/202 M1	Motor Cover	C72/202 M1	Motor Cover
2	E72/208	Base Plate	E72/208	Base Plate
3	L72/203	Cylinder Locking Knob	L72/203	Cylinder Locking Knob
4	M72/001	Waste Outlet-Moulded	M72/001	Waste Outlet-Moulded
5	S72/012	VP Splash Cover	S72/012	VP Splash Cover
6	S72/013	Peeler Plate	S72/013	Peeler Plate
7	S72/205	Base Assembly 1 Phase	S72/205	Base Assembly 1 Phase
7	S72/207	Base Assembly 3 Phase	S72/207	Base Assembly 3 Phase
8	S72/210	VQ3.5 Cylinder Assembly	S72/211	VQ7 Cylinder Assembly
	VQ3.5 ACCESSORIES		VQ7 ACCESSORIES	
	A29/003	Splash Cover Retaining Strap	A29/003	Splash Cover Retaining Strap
	S58/569	Floor Standing Interceptor Tank	S58/569	Floor Standing Interceptor Tank
	S72/023	Waste Ejector	S72/023	Waste Ejector
	S72/220	Wheeled Trolley	S72/220	Wheeled Trolley
	S72/221	Adjustable Pedestal	S72/221	Adjustable Pedestal
	E72/011	Stainless Steel Sink Skip	E72/011	Stainless Steel Sink Skip

When ordering spare parts or accessories always quote the SERIES AND SERIAL NUMBER of the machine, found on the rating label.

EXPLODED VIEW : CYLINDER ASSEMBLY

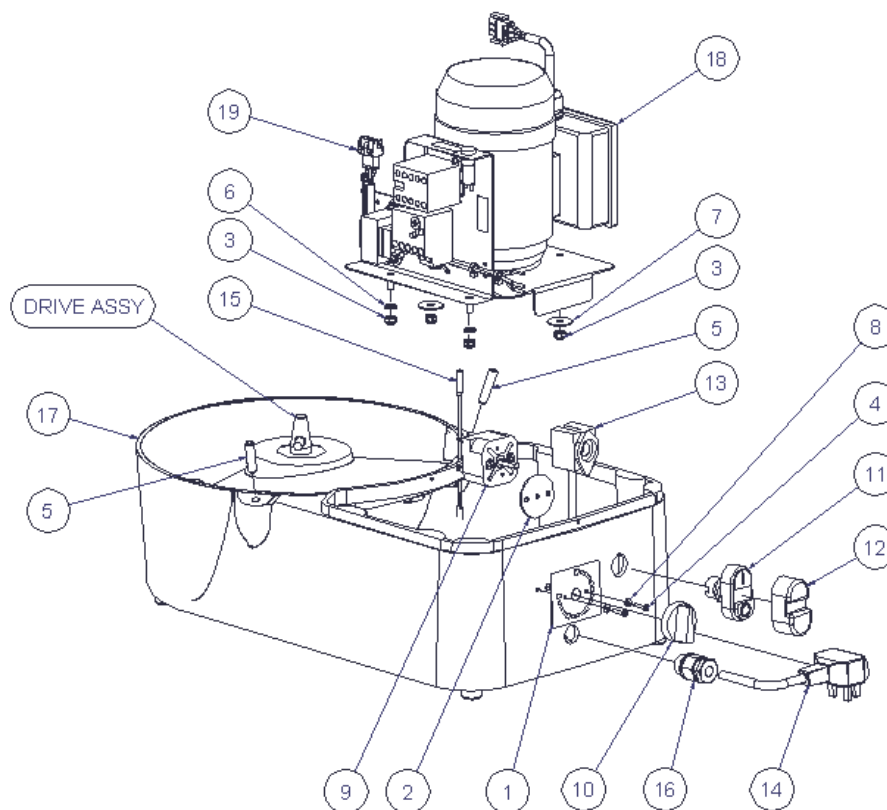


	VQ3.5		VQ7	
Item	Part No	Description	Part No	Description
1	A00/058	Nylon Shoulder Washer	A00/058	Nylon Shoulder Washer
2	A13/078 M5	Neoprene Door Gasket	A13/078 M5	Neoprene Door Gasket
3	D18/050	Screw M6 x 16 CSK SS	D18/050	Screw M6 x 16 CSK SS
4	D18/051	Screw M6 x 20 CSK SS	D18/051	Screw M6 x 20 CSK SS
5	D20/031	M6 Dome Head Nut	D20/031	M6 Dome Head Nut
6	D21/057	Screw M8 x 20 Pan SS	D21/057	Screw M8 x 20 Pan SS
7	D25/005	M6 Shakeproof Washer SS	D25/005	M6 Shakeproof Washer SS
8	D26/037	Grooved Pin 8 Dia x 30	D26/037	Grooved Pin 8 Dia x 30
9	E72/209 Z1	VQ3.5 Cylinder Liner	E72/210 Z1	VQ7 Cylinder Liner
10	E72/211	Door Handle VQ	E72/211	Door Handle VQ
11	J04/322	Spray Nozzle	J04/322	Spray Nozzle
12	L21/048	Eccentric	L21/048	Eccentric
13	M79	Door Roller	M79	Door Roller
14	S72/012	Splash Cover	S72/012	Splash Cover
15	S72/210	VQ3.5 Cylinder Assembly	S72/211	VQ7 Cylinder Assembly

When ordering spare parts or accessories always quote the SERIES AND SERIAL NUMBER of the machine, found on the rating label.

EXPLODED VIEW: INTERNAL PARTS

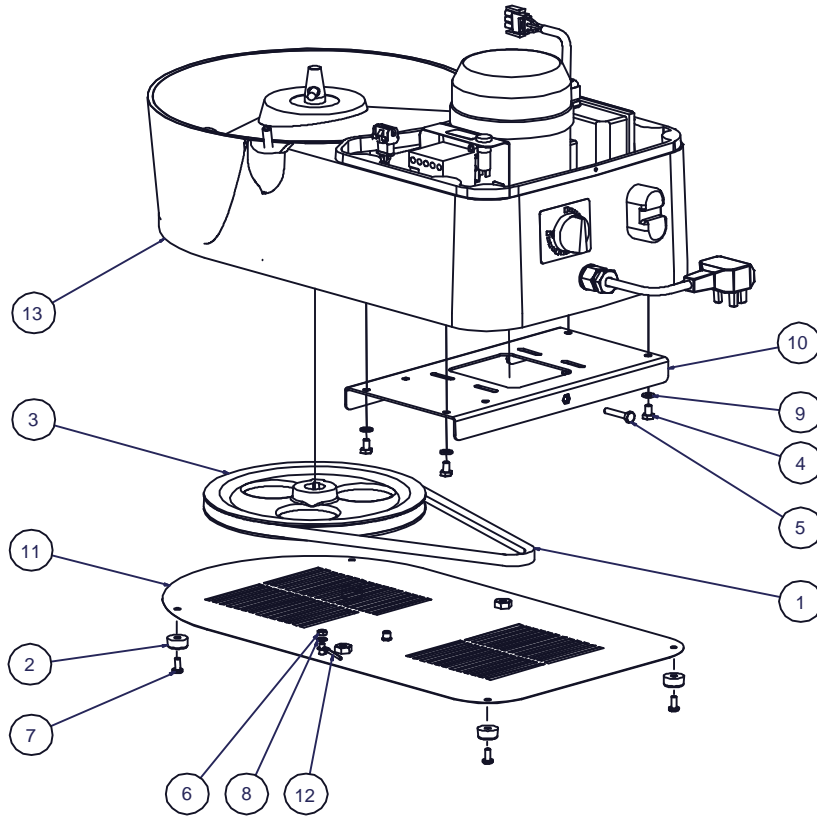
BASE ASSY-UPPER



	VQ3.5		VQ7	
Item	Part No	Description	Part No	Description
1	A08/295	Timer Label	A08/295	Timer Label
2	A11/219	Timer Rubber Washer	A11/219	Timer Rubber Washer
3	D20/043	Nut M6 Nyloc SS	D20/043	Nut M6 Nyloc SS
4	D21/034	Screw M3 x 16 Pan SS	D21/034	Screw M3 x 16 Pan SS
5	D23/044	Screw M8 x 35 Skt Set Cup SS	D23/044	Screw M8 x 35 Skt Set Cup SS
6	D25/008	Washer M6 Plain SS	D25/008	Washer M6 Plain SS
7	D25/019	Washer 25 X 6 X 1 Steel ZP	D25/019	Washer 25 X 6 X 1 Steel ZP
8	D25/066	Washer M3 Seloc	D25/066	Washer M3 Seloc
9	G34AL	Timer 4 mins	G34AL	Timer 4 mins
10	G45/066	Timer Knob	G45/066	Timer Knob
11	G45/109	On-Off Switch-Pushbutton	G45/109	On-Off Switch-Pushbutton
12	G45/110	Boot-On-Off Switch	G45/110	Boot-On-Off Switch
13	G45/111	Contactors-On-Off Switch	G45/111	Contactors-On-Off Switch
14	G60/101 M16	Mains Cable with Plug 1 Phase	G60/101 M16	Mains Cable with Plug 1 Phase
14	G60/476	Mains Cable 3 Phase	G60/476	Mains Cable 3 Phase
15	G60/423	Proximity Sensor Assy	G60/423	Proximity Sensor Assy
16	G80/029	Cable Gland	G80/029	Cable Gland
17	S72/201	Base Sub-Assy	S72/201	Base Sub-Assy
18	S72/202	Motor Sub-Assy 1 Phase	S72/202	Motor Sub-Assy 1 Phase
18	S72/203	Motor Sub-Assy 3 Phase	S72/203	Motor Sub-Assy 3 Phase
19	S72/204	Electrics Box Assy 1 Phase	S72/204	Electrics Box Assy 1 Phase
19	S72/206	Electrics Box Assy 3 Phase	S72/206	Electrics Box Assy 3 Phase

When ordering spare parts or accessories always quote the SERIES AND SERIAL NUMBER of the machine, found on the rating label.

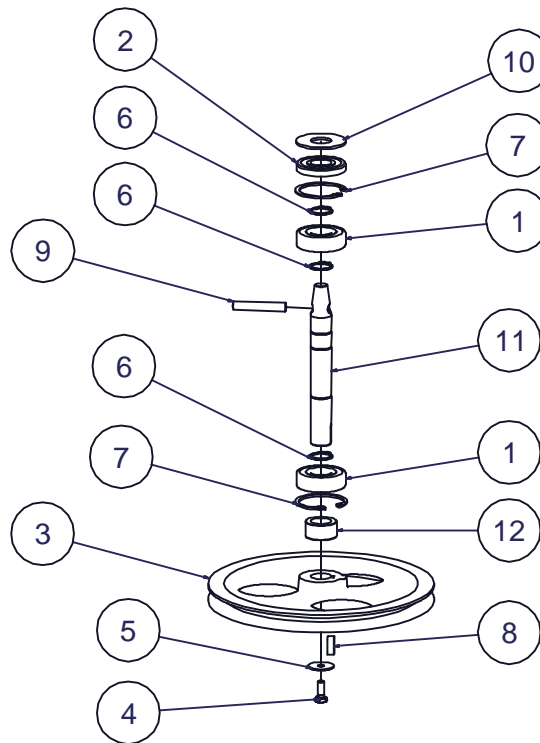
BASE ASSEMBLY-LOWER



	VQ3.5		VQ7	
Item	Part No	Description	Part No	Description
1	A05/007	V Belt	A05/007	V Belt
2	A13/048	Rubber Foot	A13/048	Rubber Foot
3	C07/004 M2	Driven Pulley-Machined	C07/004 M2	Driven Pulley-Machined
4	D19/037	Screw M6 x 10 Hex SS	D19/037	Screw M6 x 10 Hex SS
5	D19/115	Screw M6 x 30 Hex SS	D19/115	Screw M6 x 30 Hex SS
6	D20/038	Nut M5 Full SS	D20/038	Nut M5 Full SS
7	D21/044	Screw M5 x 12 Pan SS	D21/044	Screw M5 x 12 Pan SS
8	D25/004	Washer M5 Shakeproof SS	D25/004	Washer M5 Shakeproof SS
9	D25/008	Washer M6 Plain SS	D25/008	Washer M6 Plain SS
10	E72/207	Support Mounting Plate	E72/207	Support Mounting Plate
11	E72/208	Base Plate	E72/208	Base Plate
12	G60/310	Earth Cable Assy	G60/310	Earth Cable Assy
13	S72/205	Base Sub-Assembly 1 Phase	S72/205	Base Sub-Assembly 1 Phase
13	S72/207	Base Sub-Assembly 3 Phase	S72/207	Base Sub-Assembly 3 Phase

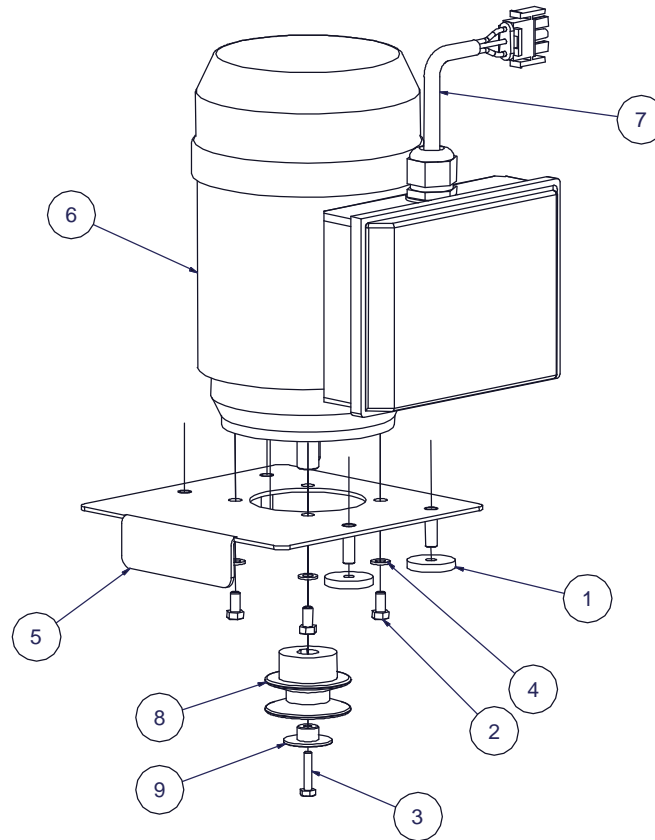
When ordering spare parts or accessories always quote the SERIES AND SERIAL NUMBER of the machine, found on the rating label.

DRIVE ASSY



	VQ3.5		VQ7	
Item	Part No	Description	Part No	Description
1	A01/032	Ball Bearing 47 x 20 x 14	A01/032	Ball Bearing 47 x 20 x 14
2	A02/037A	Oil Seal 47 x 20 x 7	A02/037A	Oil Seal 47 x 20 x 7
3	C07/004 M2	Driven Pulley-Machined	C07/004 M2	Driven Pulley-Machined
4	D19/039	Screw M6 x 16 Hex SS	D19/039	Screw M6 x 16 Hex SS
5	D25/019	Washer 25 x 6 x 1 Steel ZP	D25/019	Washer 25 x 6 x 1 Steel ZP
6	D27/005	Circlip-External 20 Dia	D27/005	Circlip-External 20 Dia
7	D27/016	Circlip-Internal 47 Dia	D27/016	Circlip-Internal 47 Dia
8	D27/031	Drive Key 6 x 6 x 18	D27/031	Drive Key 6 x 6 x 18
9	D28/019	Grooved Pin 8 Dia x 50	D28/019	Grooved Pin 8 Dia x 50
10	E59/149	Seal Protector	E59/149	Seal Protector
11	L72/201	Drive Shaft	L72/201	Drive Shaft
12	L72/204	Spacer-Driven Pulley	L72/204	Spacer-Driven Pulley

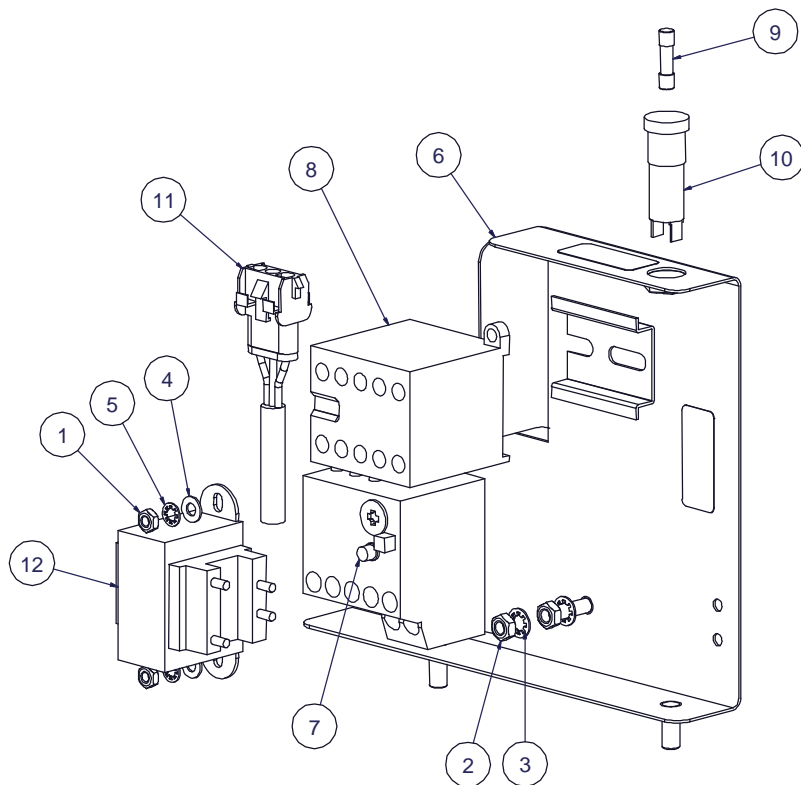
When ordering spare parts or accessories always quote the SERIES AND SERIAL NUMBER of the machine, found on the rating label.

EXPLODED VIEWS : MOTOR ASSEMBLY & ELECTRICAL BOX**MOTOR ASSEMBLY**

	VQ3.5		VQ7	
Item	Part No	Description	Part No	Description
1	D08/096	Rubber Washer 25x5.5x4	D08/096	Rubber Washer 25x5.5x4
2	D19/032	Screw M5x12L Hex SS	D19/032	Screw M5x12L Hex SS
3	D19/143	Screw M4x20L Hex SS	D19/143	Screw M4x20L Hex SS
4	D25/021	Washer M5 Plain SS	D25/021	Washer M5 Plain SS
5	E72/202	Motor Plate VQ3.5	E72/202	Motor Plate VQ3.5
6	G40/183	Motor 1 Phase with Key 4x4x18	G40/183	Motor 1Phase with Key 4x4x18
6	G40/235	Motor 3 Phase with Key 4x4x18	G40/235	Motor 3 Phase with Key 4x4x18
7	G60/434	Motor Cable Assy 1 Phase	G60/434	Motor Cable Assy 1 Phase
7	G60/474	Motor Cable Assy 3 Phase	G60/474	Motor Cable Assy 3 Phase
8	L72/202	Motor Drive Pulley	L72/202	Motor Drive Pulley
9	L72/205	Spacer Washer	L72/205	Spacer Washer

When ordering spare parts or accessories always quote the SERIES AND SERIAL NUMBER of the machine, found on the rating label.

ELECTRICAL BOX



	VQ3.5		VQ7	
Item	Part No	Description	Part No	Description
1	D20/011	Nut M4 Full SS	D20/011	Nut M4 Full SS
2	D20/038	Nut M5 Full SS	D20/038	Nut M5 Full SS
3	D25/004	Washer M5 Shakeproof SS	D25/004	Washer M5 Shakeproof SS
4	D25/014	Washer M4 Plain SS	D25/014	Washer M4 Plain SS
5	D25/033	Washer M4 Shakeproof SS	D25/033	Washer M4 Shakeproof SS
6	E72/206	Control Box-Electrics	E72/206	Control Box-Electrics
7	G30/462	Overload Relay 3.1/4.2A	G30/462	Overload Relay 3.1/4.2A
8	G30/343	Mini Contactor 24V AC	G30/343	Mini Contactor 24V AC
9	G35/004	Fuse 5 X 20 0.5A Semi-Delay	G35/004	Fuse 5 X 20 0.5A Semi-Delay
10	G35/012	Fuse Holder	G35/012	Fuse Holder
11	G60/434	Electrics Motor Cable 1 Phase	G60/434	Electrics Motor Cable 1 Phase
11	G60/474	Electrics Motor Cable 3 Phase	G60/474	Electrics Motor Cable 3 Phase
12	G60/435	Transformer 6VA 24V 1 Phase	G60/435	Transformer 6VA 24V 1 Phase
12	G60/475	Transformer 6VA 24V 3 Phase	G60/475	Transformer 6VA 24V 3 Phase

When ordering spare parts or accessories always quote the SERIES AND SERIAL NUMBER of the machine, found on the rating label.