

Handwheels • similar to DIN 950, stainless steel

24591.0030

Product Description



Hub machined; rim turned and mirror-finished on all sides, non-machined surfaces cleanly blasted.

Material

Handwheel
• Stainless steel A4

Assembly

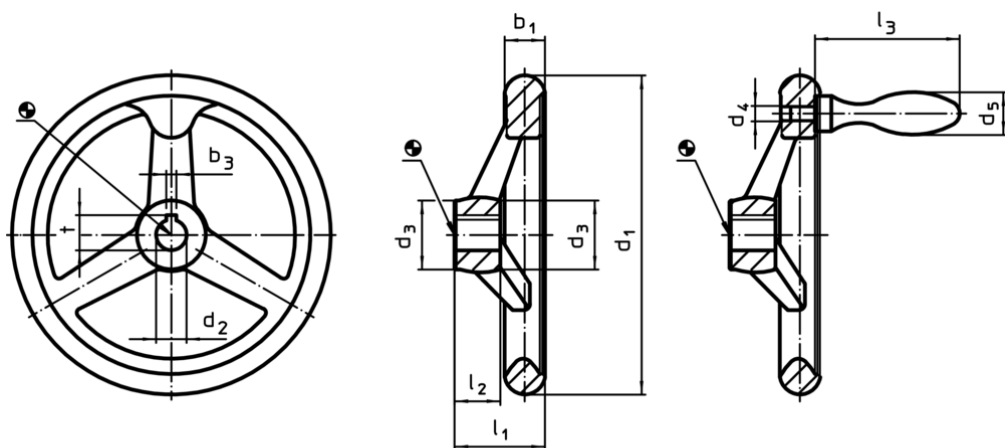
Shaft-end washers EH 22270. for axial fastening.

More information

Further products

• Shaft-End Washers

Drawing



picture 1

picture 2

The orientation of the hub keyway may be different than shown in the drawing.

Order information

d ₁	d ₂ H9	Dimensions			l ₂	Number of spokes	[g]	Art. No.
		d ₃	l ₁	l ₃				
[mm]								
without keyway, without handle, form B-F/A (formerly: A 4) – picture 1								
200	18	37	44.5	24	3	1877	24591.0030	

Compliance

RoHS compliant

Compliant according to Directive 2011/65/EU and Directive 2015/863

Does not contain SVHC substances

No SVHC substances with more than 0.1% w/w contained - SVHC list [REACH] as of 10.06.2022

Does not contain Proposition 65 substances

No Proposition 65 substances included
<https://www.P65Warnings.ca.gov/>

Free from Conflict Minerals

This product does not contain any substances designated as "conflict minerals" such as tantalum, tin, gold or tungsten from the Democratic Republic of Congo or adjacent countries.