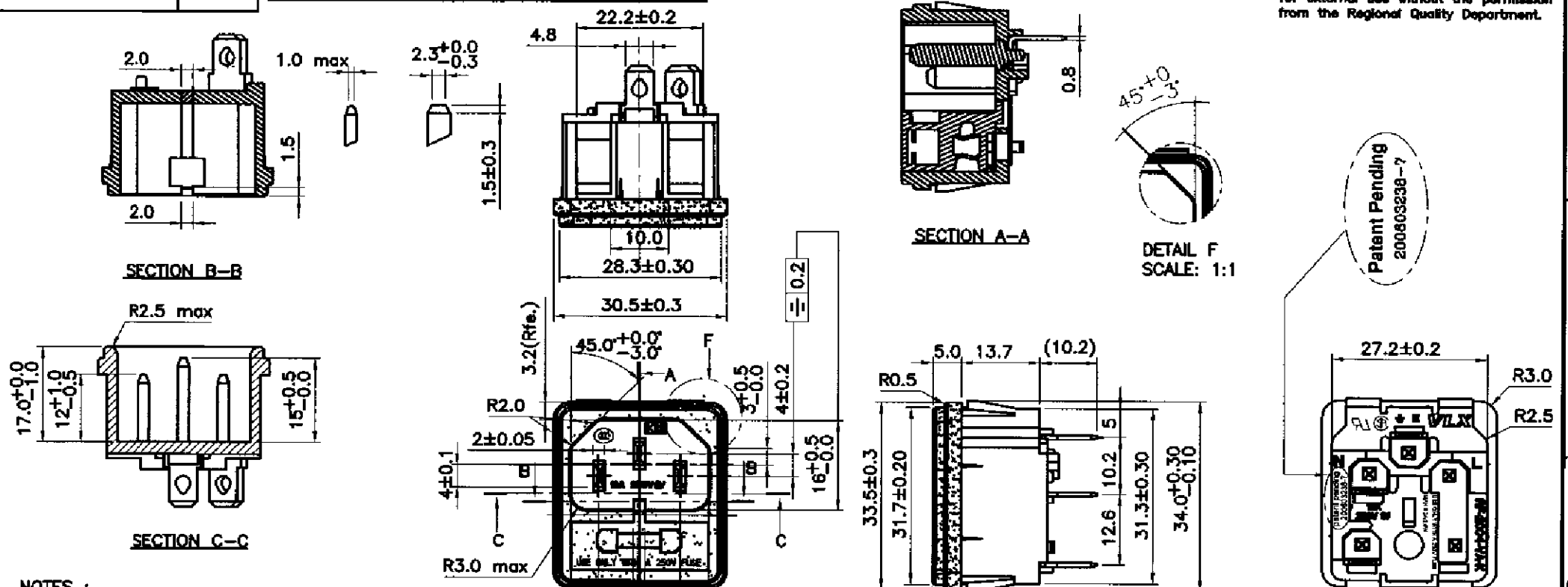


DRAWING NUMBER : MP-0078  
 REVISION : C

**STANDARD REQUIREMENT**

This document contains confidential and proprietary information. Do not duplicate for external use without the permission from the Regional Quality Department.



Patent Pending  
 200803238-7

- NOTES :**
1. ALL DIMENSION IN MM.
  2. GENERAL TOLERANCE, UNLESS OTHERWISE SPECIFIED :  
 LINEAR : X = ±1  
           : X.X = ±0.5  
           : X.XX = ±0.3  
 ANGULAR : ±1'
  3. CRITICAL DIMENSIONS, WHERE Y IS IN NUMERICAL DIGITS.
  4. CPK POINTS, WHERE Z IS IN ALPHABETICAL ORDER.
  5. SPC POINTS.
  6. FOR PRODUCT MARKING DETAILS REFER TO MARKING DRAWING.

**TABLE**

ITEM NO.	COLOUR
6900356-R010	BLUE
6900355-R010	BLACK

MATERIAL SPECIFICATION (CONTACTS)		MATERIAL SPECIFICATION	
MATERIAL	TIN PLATED BRASS	MATERIAL	PC
MATERIAL No.	C2680	COLOR	REFER TO TABLE
ELONGATION	30%	FINISHING	-
TENSILE STRENGTH	36~45Kgf/mm2	MATERIAL No.	6485
HARDNESS VALUE	1/2H	UL LICENSE No.	E41613
PLATING THICKNESS	3~5um	FLAMMABILITY	UL94V-0
SUPPLIER	FIRST COPPER TECHNOLOGY	SUPPLIER	BARER

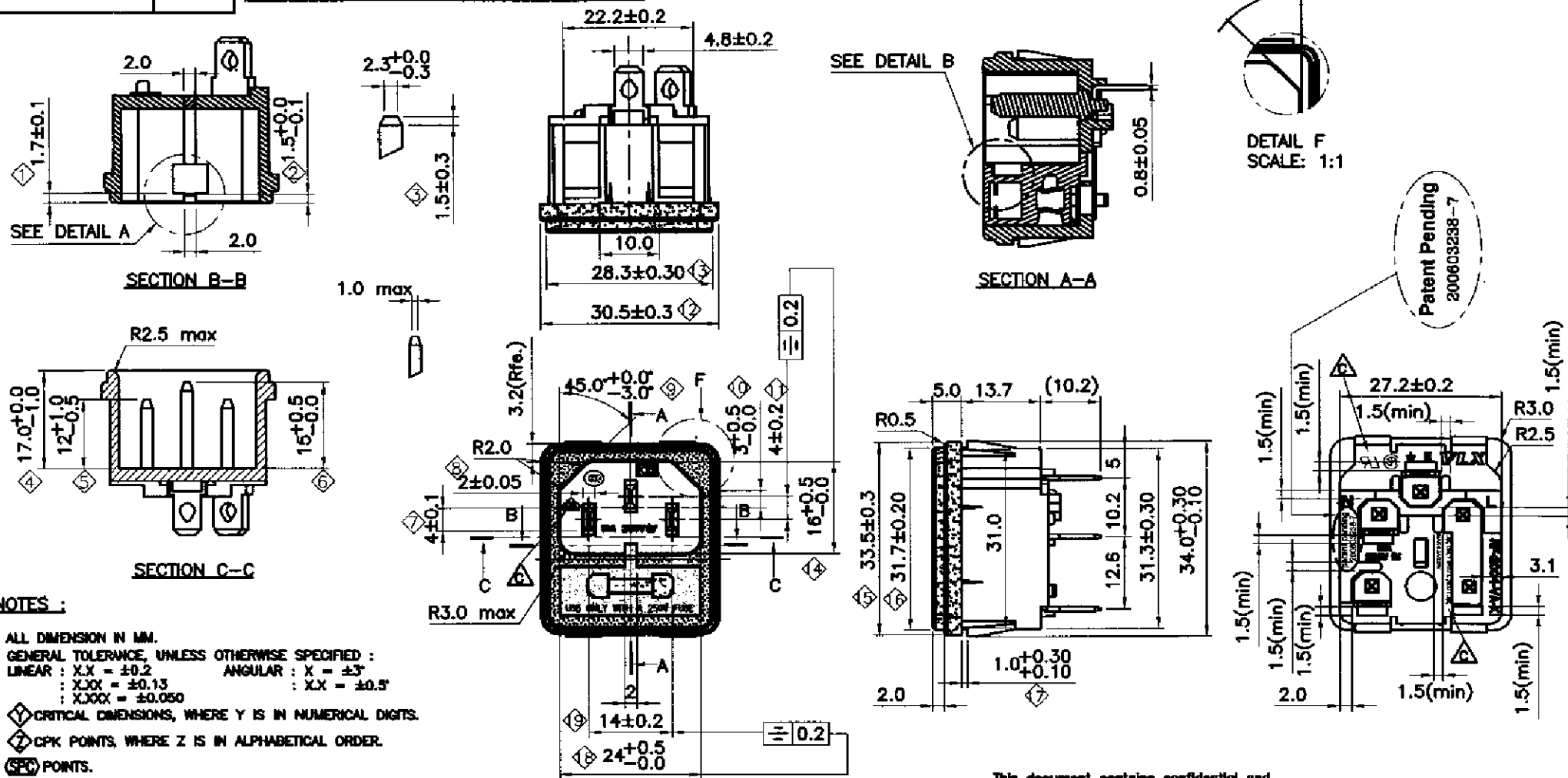
DRAWN :	XIA YX	REV	ECR	BY	DATE	REV	ECR	BY	DATE	TITLE :
RELEASED :	15/03/07	A	MM	XIA	15/03/07					RF-2004-VA-K (POWER INLET FUSE HOLDER)
CHECKED :	SIGN	DATE	B	090870	JIMJIA	22/06/09				
APPROVED :	DATE	C	091639	Daboy	11/12/09					

ITEM NO. :	REFER TO TABLE	FILENAME :	F:\DATABASE\ENGRG ACAD14\COMPONENT\MP-0078	SCALE :	1 : 1	PROJ. :		PAGE :	1 / 3
------------	----------------	------------	---	---------	-------	---------	--	--------	-------

**Voletx**  
 Confidential property of Voletx.  
 Information contained herein shall not be disclosed to others, reproduced or used for any other purpose except as authorized in writing by an authorized official of Voletx Inc.

DRAWING NUMBER : MP-0078  
 REVISION : C

ENGINEERING DETAILS



NOTES :

1. ALL DIMENSION IN MM.
2. GENERAL TOLERANCE, UNLESS OTHERWISE SPECIFIED :  
 LINEAR : X.X = ±0.2      ANGULAR : X = ±3°  
           : X.XX = ±0.13     : X.X = ±0.5°  
           : X.XXX = ±0.050
3.  $\diamond$  CRITICAL DIMENSIONS, WHERE Y IS IN NUMERICAL DIGITS.
4.  $\diamond$  CPK POINTS, WHERE Z IS IN ALPHABETICAL ORDER.
5.  $\square$  SEC POINTS.
6. MAX. 0.20MM ALLOWABLE PLASTICS FLASH ALL ROUND.
7. MAX. 0.05MM ALLOWABLE METALLIC BURR ALL ROUND.
8. EVERY LOT MUST COME WITH COC DECLARING THE SUPPLIER AND TYPE NUMBER OF THE MATERIAL USED.

This document contains confidential and proprietary information. Do not duplicate for external use without the permission from the Regional Quality Department.

Patent Pending  
 200603238-7

DRAWN :	XIA YX	REV	ECR	BY	DATE	REV	ECR	BY	DATE	TITLE :				
RELEASED :	15/03/07	A	MM	XIA	15/03/07					RF-2004-VA-K (POWER INLET FUSE HOLDER)				
CHECKED :	SIGN	DATE	B	090870	JIM/JIA	22/06/09				ITEM NO. :	FILENAME :	SCALE :	PROJ. :	PAGE :
APPROVED :	SIGN	DATE	C	091639	Daboy	11/12/09				REFER TO TABLE	F:\DATABASE\ENGRG ACAD14\COMPONENT\MP-0078	1 : 1	THIRD ANGLE	2/3

**Volex**  
 Confidential property of Volex. Information contained herein shall not be disclosed to others, reproduced or used for any other purpose except as authorized in writing by an authorized official of Volex Inc.

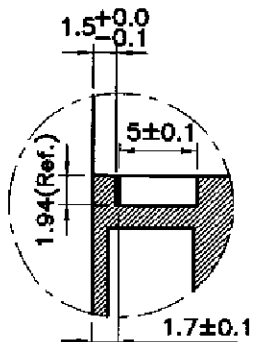
DRAWING NUMBER :

REVISION :

MP-0078

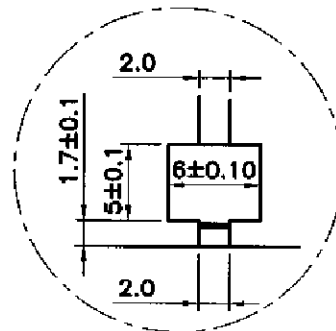
C

## ENGINEERING DETAILS



DETAIL B

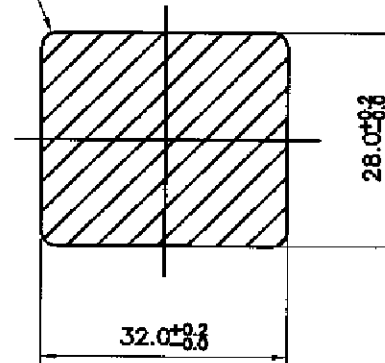
SCALE: 2:1



DETAIL A

SCALE: 2:1

R2.0 X4



PANEL CUT-OUT

TABLE

ITEM_NO.	COLOUR
6900356-R010	BLUE
6900355-R010	BLACK

MATERIAL SPECIFICATION (CONTACTS)		MATERIAL SPECIFICATION	
MATERIAL	TIN PLATED BRASS	MATERIAL	PC
MATERIAL No.	C2680	COLOR	REFER TO TABLE
ELONGATION	30%	FINISHING	-
TENSILE STRENGTH	36~45kgf/mm <sup>2</sup>	MATERIAL No.	6485
HARDNESS VALUE	1/2H	UL LICENSE No.	E41613
PLATING THICKNESS	3~5um	FLAMMABILITY	UL94V-0
SUPPLIER	FIRST COPPER TECHNOLOGY	SUPPLIER	BARER

DRAWN :	XIA YX	REV	ECR	BY	DATE	REV	ECR	BY	DATE
RELEASED :	15/03/07	A	IMM	XIA	15/03/07				
	SIGN	DATE	B	090870	JIMJIA	22/06/08			
CHECKED :	<i>[Signature]</i>	17/12/07	C	091639	Daboy	11/12/08			
APPROVED :	<i>[Signature]</i>	17/12/07							

TITLE :

RF-2004-VA-K (POWER INLET FUSE HOLDER)

ITEM NO. :

REFER TO TABLE

FILENAME :

F:\DATABASE\ENGRG  
ACAD14\COMPONENT\MP-0078

SCALE :

1 : 1

PROJ. :

THIRD ANGLE

PAGE :

3/3

Confidential property of Volex.  
Information contained herein shall  
not be disclosed to others,  
reproduced or used for any other  
purpose except as authorized in  
writing by an authorized official of  
Volex Inc.