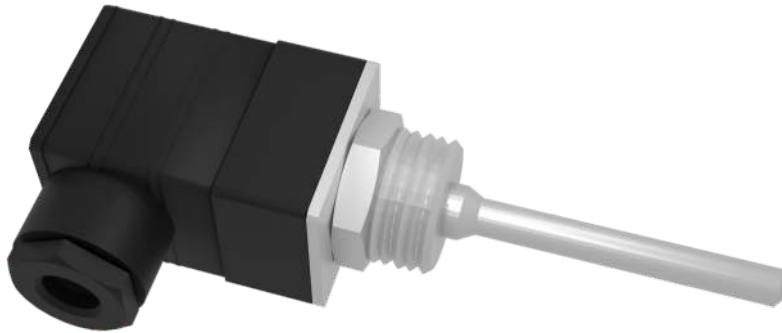
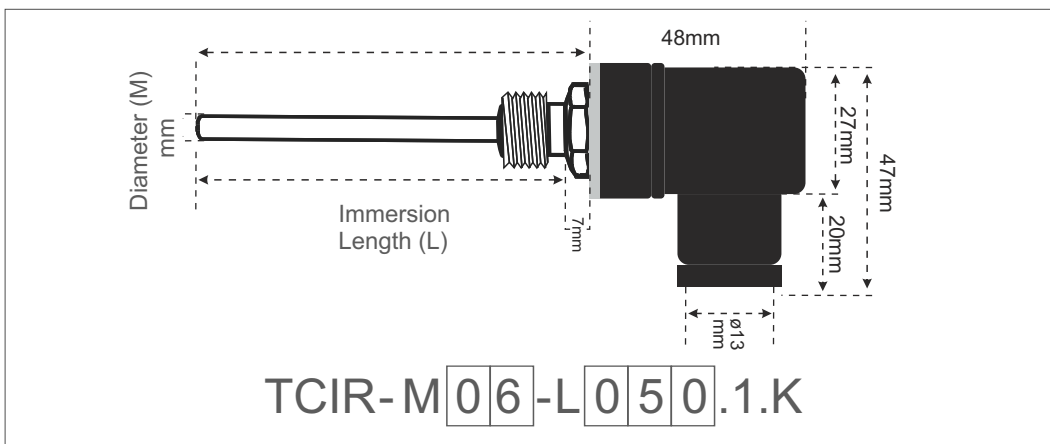


► (TCIR) Bayonet Valve Type with Fittingnut
TCIR-M06-L050.1.K

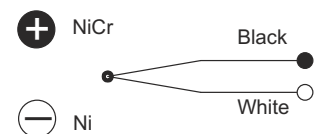


Max. operating temperature : -50 °C / +200 °C
Sensor type : DIN/IEC-584 "K" NiCr-Ni
Protection tube material : AISI304 (DIN1.4301)

► Technical drawing



Thermoelement Connections



Diameter (M) : 6 mm
Immersion Length (L) : 50 mm