



Measurement & Control Instruments

Process Control
Temperature Control
Heating Cooling
Counters
Timers



Process Controllers

“Smart I/O Module” System
RS-232/485 Modbus RTU Serial Communication

ESM-4450 ESM-4950
ESM-7750 ESM-9450 ESM-9950



- ▶ 8 steps profile control (Ramp & Soak) function and start-hold-stop by using logic input module
- ▶ For process value and process control Retransmission feature
- ▶ Detection of heater failure by using 0...5A dc CT input module

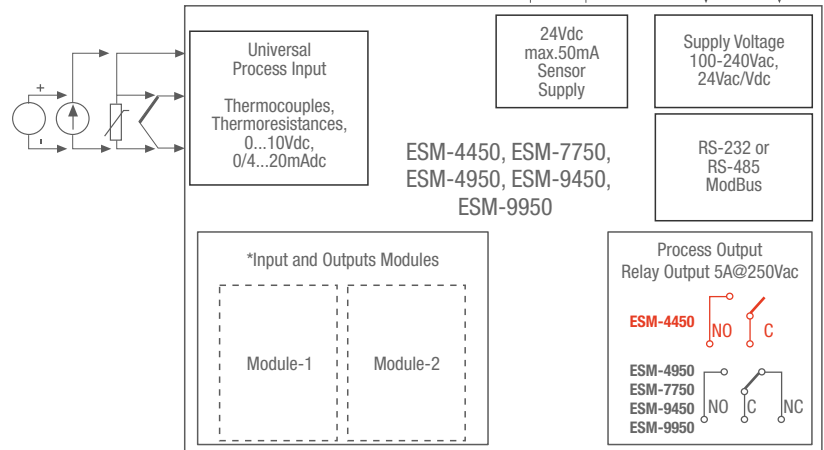
- ▶ Universal process input (TC, RTD, mVdc, Vdc, mA dc)
- ▶ Bumpless transfer
- ▶ Motorized valve control function

Specifications

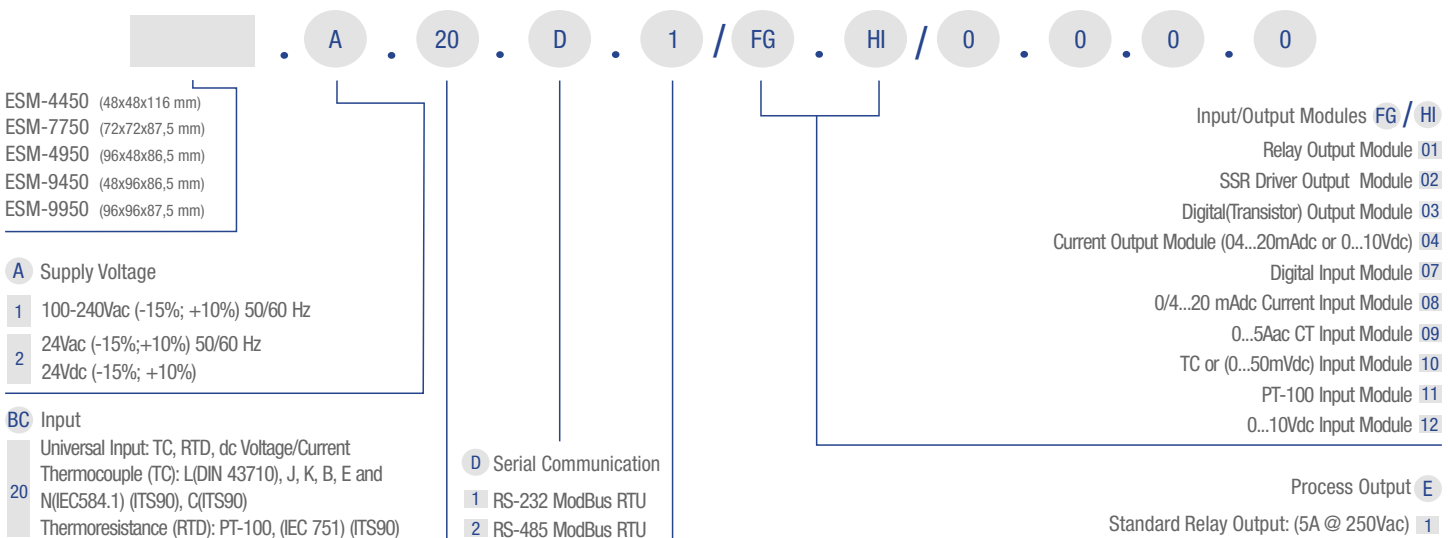
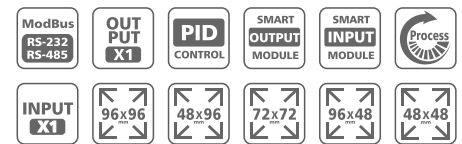
4 Digits process (PV) and 4 Digits set (SV) display
Programmable heating, cooling and alarm functions for control outputs
Auto-tune and Self-tune PID
Dual or multi point calibration for dc Voltage/Current input
Configurable ON/OFF, P, PI, PD, and PID control forms

Technical Specification

Accuracy: $\pm 0.25\%$ of full scale for thermocouple, thermoresistance, mV, V $\pm 0.70\%$ of full scale for mA input
Cold Junction Compensation: Automatically $\pm 0.1^\circ\text{C}/1^\circ\text{C}$
Line Compensation: Maximum 10 Ohm
Sensor Break Protection: Upscale
Sampling Cycle: 3 samples per second
Input Filter: 0.0 to 900.0 seconds



* Input and output modules can be mounted each module sockets.
* Only one analog input module can connect to the device at the same time.



Process Controllers

Universal Input Dual SET PID

ESM-7730 ESM-4430
ESM-9930 ESM-9430 ESM-4930



- ▶ Auto-tune and Self-tune PID
- ▶ Dual or multi point calibration for dc Voltage/Current input

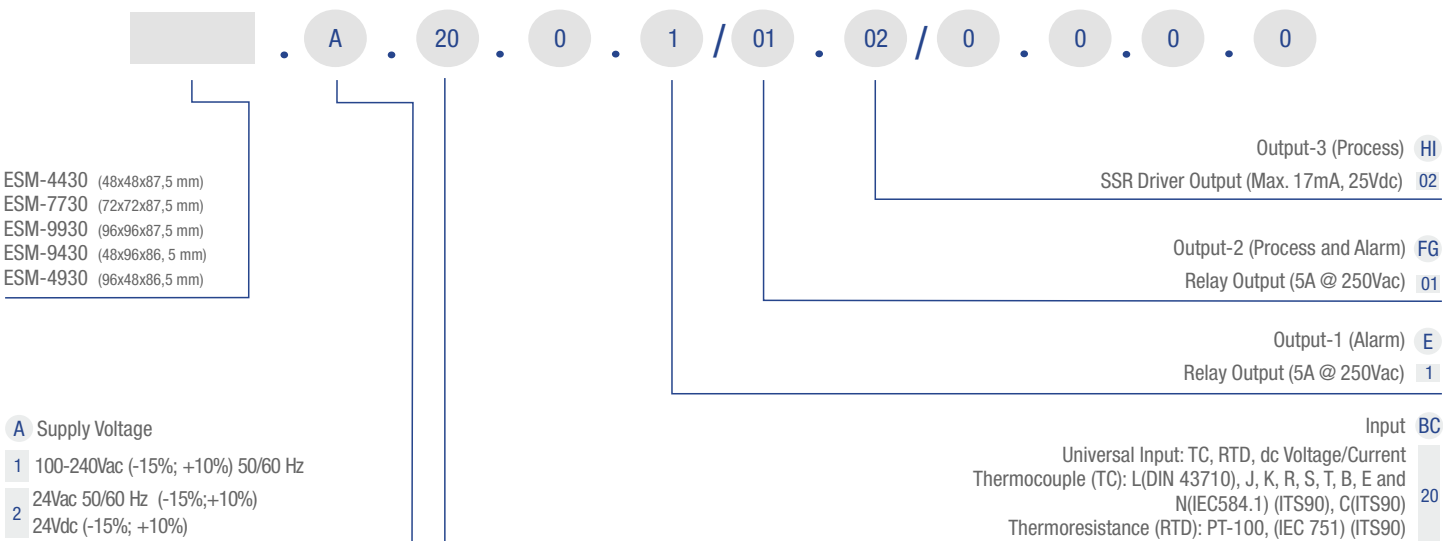
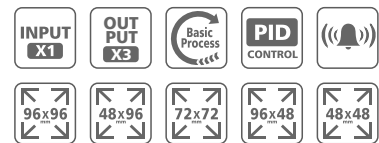
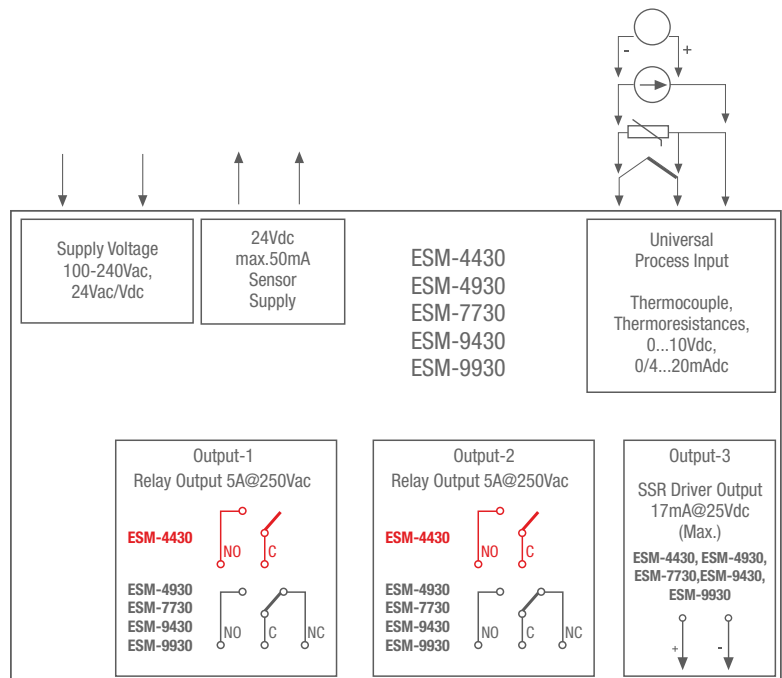
▶ Bumpless transfer

Specifications

4 Digits process (PV) and 4 Digits set (SV) display
 Universal process input (TC, RTD, mVdc, Vdc, mAdc)
 Configurable ON/OFF, P, PI, PD, and PID control forms
 Manual/Automatic mode selection for control outputs
 Programmable heating, cooling and alarm functions for control outputs

Technical Specification

Accuracy: ±0.25% of full scale for thermocouple, thermoresistance, mV, V ±0.70% of full scale for mA input
Cold Junction Compensation: Automatically ± 0.1°C/1°C
Line Compensation: Maximum 10 Ohm
Sensor Break Protection: Upscale
Sampling Cycle: 3 samples per second
Input Filter: 0.0 to 900.0 seconds



ESM-4430 (48x48x87,5 mm)
 ESM-7730 (72x72x87,5 mm)
 ESM-9930 (96x96x87,5 mm)
 ESM-9430 (48x96x86,5 mm)
 ESM-4930 (96x48x86,5 mm)

A Supply Voltage
1 100-240Vac (-15%; +10%) 50/60 Hz
2 24Vac 50/60 Hz (-15%;+10%)
2 24Vdc (-15%; +10%)



Process Indicators

“Smart Output Module” System RS-232/485
Modbus RTU Serial Communication

ESM-4400 ESM-4900
ESM-7700 ESM-9900



- ▶ Smart Output Module System
- ▶ Dual or multi point calibration for dc Voltage/Current input

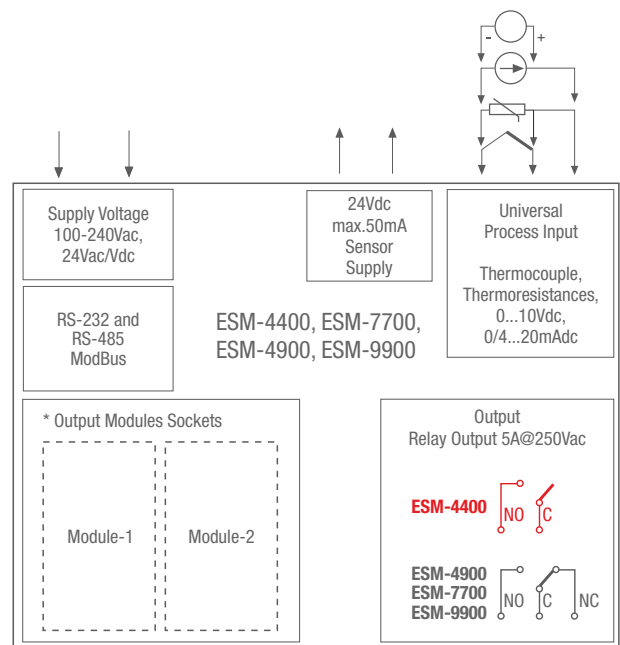
- ▶ Retransmission of Process Value or Process Control by using 0/4...20 mAdc Current Output Module

Specifications

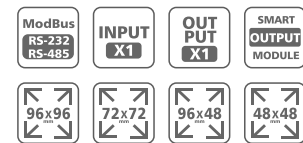
4 Digit process (PV) display
Universal process input (TC, RTD, mVdc, Vdc, mAdc)
Programmable Alarm functions
RS-232 (standart) or RS-485(Optional) serial communication with Modbus RTU protocol

Technical Specification

Accuracy: ±0.25% of full scale for thermocouple, thermoresistance, mV, V ±0.70% of full scale for mA input
Cold Junction Compensation: Automatically ± 0.1°C/1°C
Line Compensation: Maximum 10 Ohm
Sensor Break Protection: Upscale
Sampling Cycle: 3 samples per second
Input Filter: 0.0 to 900.0 seconds



* Output modules can be mounted each modules sockets.



ESM-4400 (48x48x116 mm)
ESM-7700 (72x72x87,5 mm)
ESM-4900 (96x48x86,5 mm)
ESM-9900 (48x96x87,5 mm)

- A** Supply Voltage
- 1 100-240Vac (-15%; +10%) 50/60 Hz
 - 2 24Vac (-15%;+10%) 50/60 Hz
 - 2 24Vdc (-15%; +10%)

- BC** Input
- Universal Input: TC, RTD, dc Voltage/Current
 - Thermocouple (TC): L(DIN 43710), J, K, B, E and N(IEC584.1) (ITS90), C(ITS90)
 - Thermoresistance (RTD): PT-100, (IEC 751) (ITS90)

- D** Serial Communication
- 1 RS-232 ModBus RTU
 - 2 RS-485 ModBus RTU

- Output Modules **FG / HI**
None **00**
Relay Output Module **01**
SSR Driver Output Module (max.26mA @ 22Vdc) **02**
Digital (Transistor) Output Module (max.40mA@18Vdc) **03**
Current Output Module (0/4...20mAac or 0...10Vdc) **04**

- Process Output **E**
Standard Relay Output: (5A @ 250Vac) **1**

Process Indicators

ESM 3700-N



- ▶ Adjustable decimal point
- ▶ 5 Stage analog input filter option

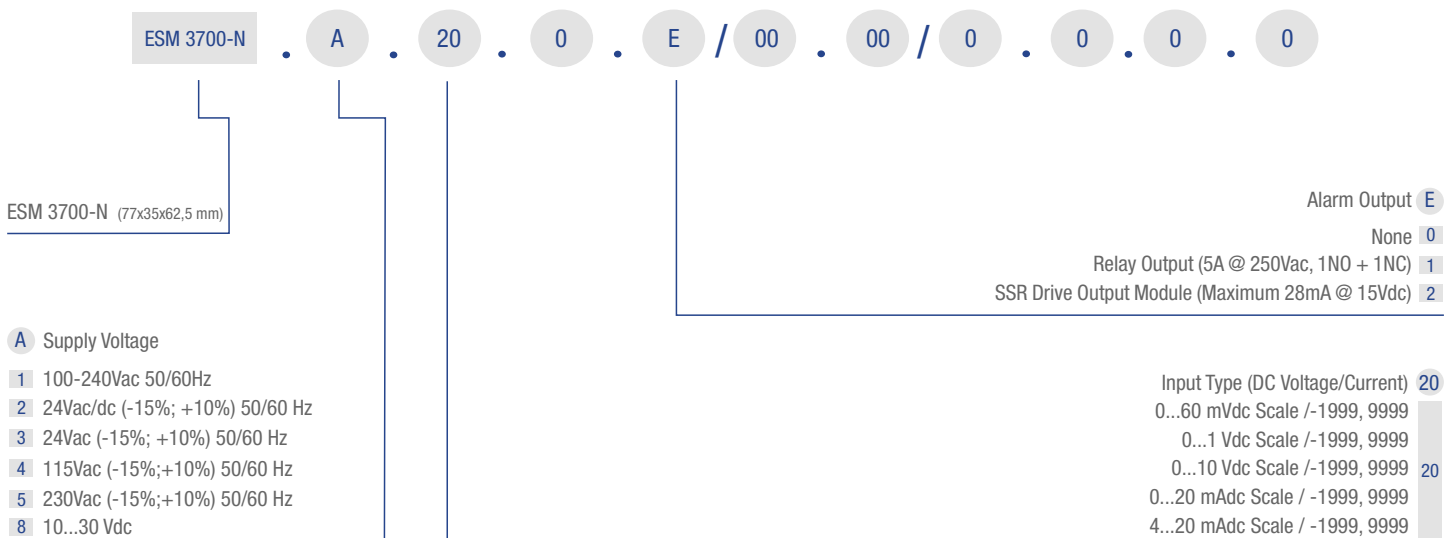
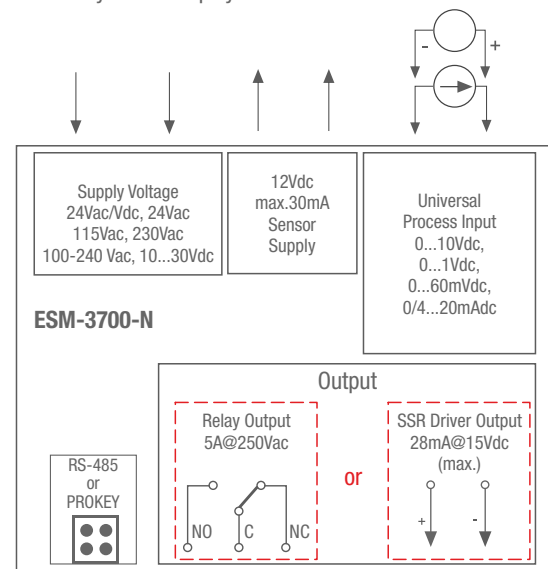
Specifications

4 Digits display
 Easily adjustable from front panel
 Configurable display scale between -1999 and 9999
 Selectable universal process Input
 (0-10Vdc, 0-1Vdc, 0-60mVdc, 0-20mAdc, 4-20mAdc)
 User can be adjust device's reading value for selected input type
 Alarm output, Relay or SSR driver output (It must be determined in order)
 Adjustable alarm set value from front panel
 Programming mode password protection
 Installing parameters using ProkeyRemote acces, data collecting and controlling with Modbus RTU

Technical Specification

Accuracy: ±0.5% of full scale
Cold Junction Compensation: Automatic ± 0.1°C/1°C
Line Compensation: Maximum 10 Ohm
Sensor Break Protection: Upscale
Sampling Time: 240 ms for 4...20 mA and 0...20 mA process input
 130 ms for 0...60 mVdc process Input
 100 ms for 0...1 Vdc and 0...10 Vdc process Input
Input filter: 0.0..900.0 selectable between seconds

- ▶ Maximum and minimum measurement value are registered to the devices memory
- ▶ Maximum or minimum measurement value van be shown continuously on the display





Process Controllers

Universal Input Dual SET PID

ESM-4435



- ▶ Universal process input (TC, RTD, mVdc, Vdc, mAdc)
- ▶ Dual or multi point calibration for dc Voltage/Current input

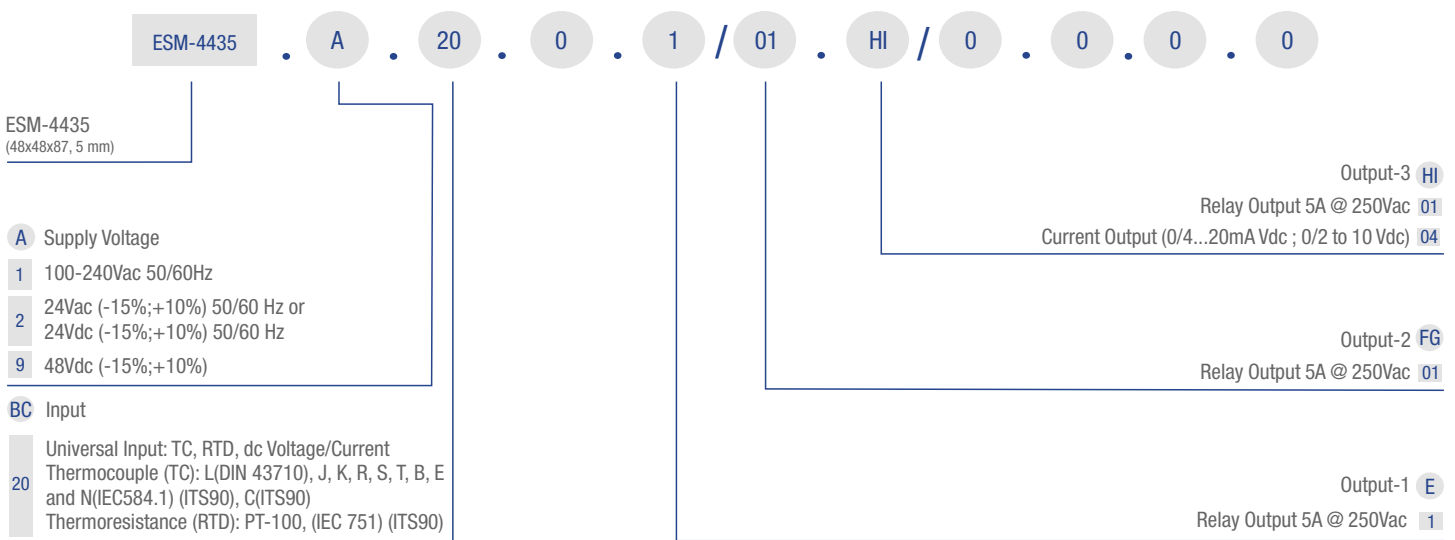
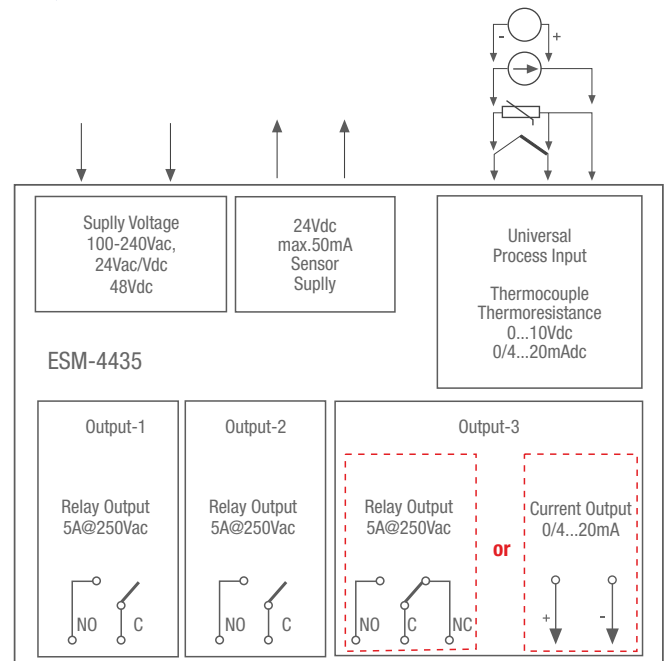
- ▶ Bumpless transfer
- ▶ Auto-tune ve Self-tune PID

Specifications

4 Digits process (PV) and 4 Digits set (SV) display
 Configurable ON/OFF, P, PI, PD, and PID control forms
 Manual/Automatic mode selection for control outputs
 Programmable heating, cooling and alarm functions for control outputs

Technical Specification

- Accuracy:** $\pm 0.25\%$ of full scale for thermocouple, thermoresistance, mV, V $\pm 0.70\%$ of full scale for mA input
- Cold Junction Compensation:** Automatically $\pm 0.1^\circ\text{C}/1^\circ\text{C}$
- Line Compensation:** Maximum 10 Ohm
- Sensor Break Protection:** Upscale
- Sampling Cycle:** 3 samples per second
- Input Filter:** 0.0 to 900.0 seconds





Profile Control

ESM-9990



▶ Universal process input (TC, RTD, mVdc, Vdc, mAdc)

▶ In ceramic furnace applications

Specifications

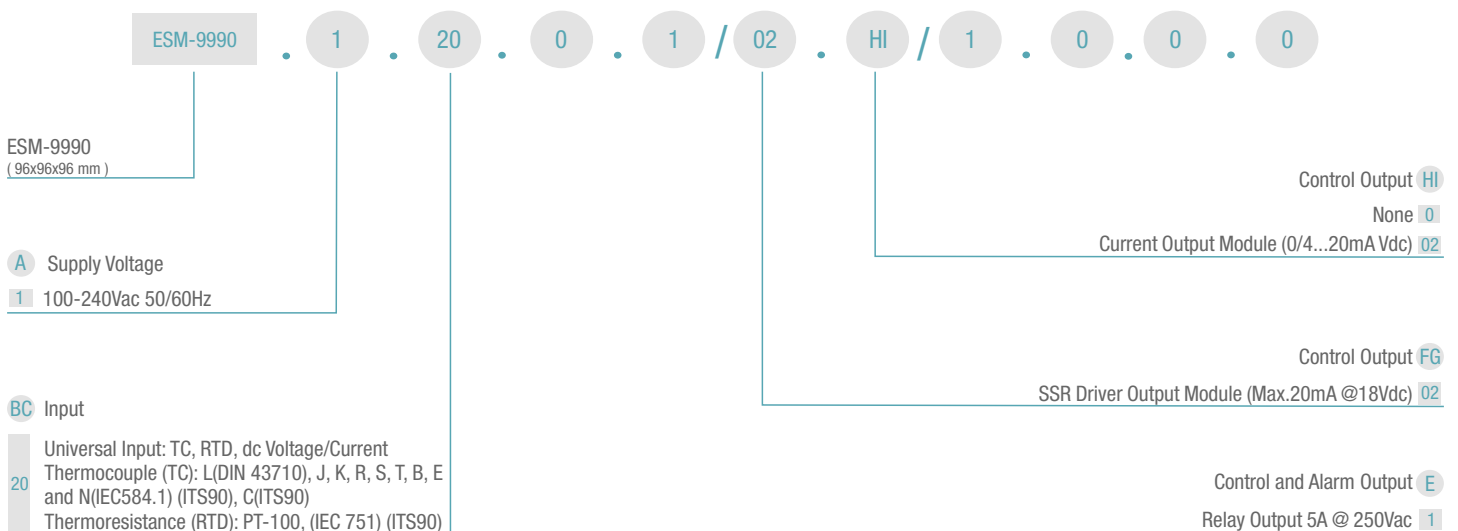
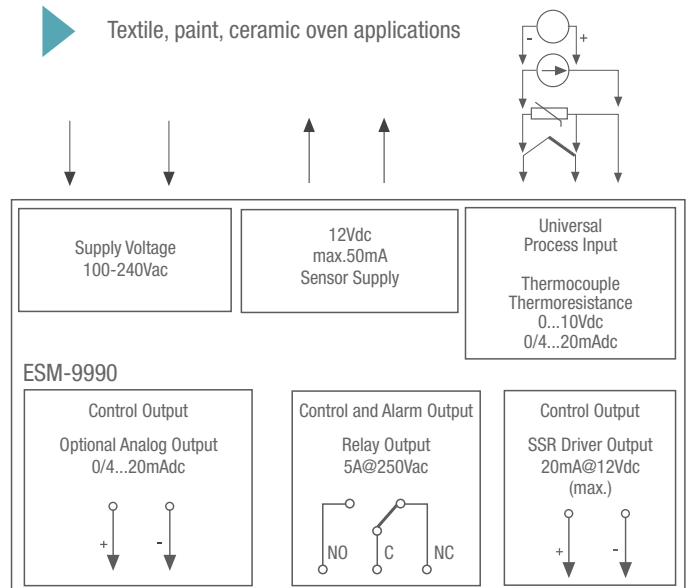
- 4 Digits proses (PV) ve 4 Digits set (SV) göstergesi
- Hardware configuration with SSR and Current output module
- Configurable ON/OFF, P, PI, PD and PID control forms
- Heating function for control outputs
- 8 steps profile control (Ramp & Soak) function and Start-Pause-Stop
- Power Down Back-up

Technical Specification

- Accuracy:** $\pm 0,25\%$ of FS for thermocouple
- Cold Junction Compensation:** Automatically $\pm 0.1^{\circ}\text{C}/1^{\circ}\text{C}$.
- Sensor Break Protection:** Upscale
- Sampling Cycle:** 3 samples per second

▶ 8-step Profile Control (Ramp and Soak) and Start-Pause-Stop functions

▶ Textile, paint, ceramic oven applications



Digital Potantiometer

EPM-3790N / EPR-3790N



EPM-3790N

Forward, Reverse direction outputs and error input for V/F Speed Controller

EPR-3790N

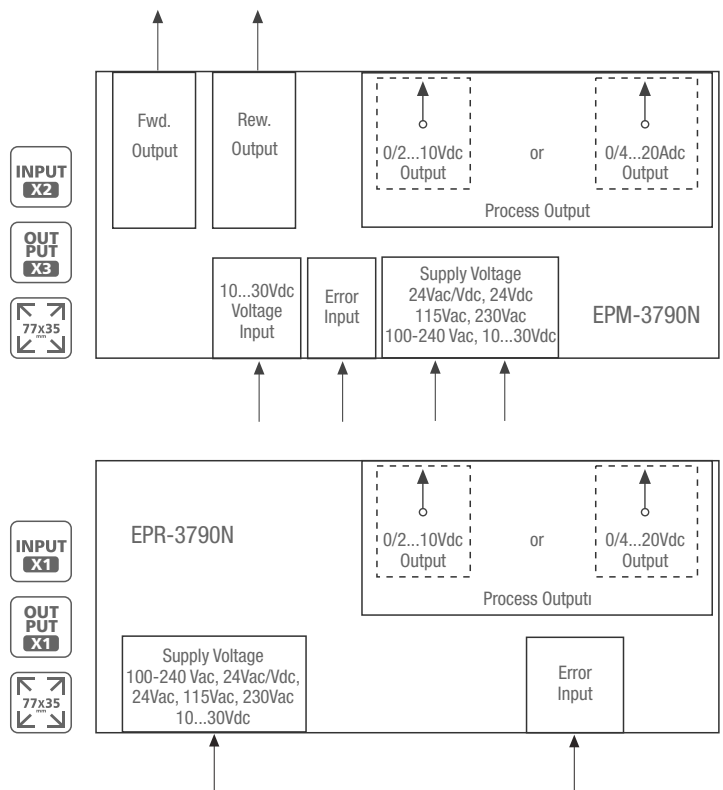
Fault input or (Remote start-stop)

Specifications

- Operation at Adjustable Set Value
- Ramp Function
- Economical
- Easy to User
- 4 Digits Display
- Easily adjustable set value from front panel
- Configurable display scale between -1999 and 9999
- Adjustable decimal point
- Set value low limit and set value high limit boundaries
- Adjustable ramp up and ramp down time
- 0/2...10Vdc Voltage output or 0/4...20mAdc Current output (It must be determined in order.)
- Password protection for programming and adjustment sections

Technical Specification

- Digital Input:** Error input (max. 3mA@30Vdc)
- Resolution:** 12 bits
- Fluctuation:** Max. 30 mV
- Scale:** Between-1999 and 9999



- A** Power Supply
- 1** 100-240Vac 50/60Hz
- 2** 24Vac/dc (±15%) 50/60Hz
- 3** 24Vac (±15%) 50/60Hz
- 4** 115Vac (±15%) 50/60Hz
- 5** 230Vac (±15%) 50/60Hz
- 8** 10 - 30Vdc

- Output E**
- 4** Current Output (0/4...20mA)
- 5** Voltage Output (0/2...10V Maks. 10mA)



8 Channel Scanner

Channel 8N - Channel 8AN



- ▶ 320 x 240 Pixel TFT LCD screen
- ▶ 3 Different alarm and pre-alarm types for each channel (High, Low and Band Alarms)

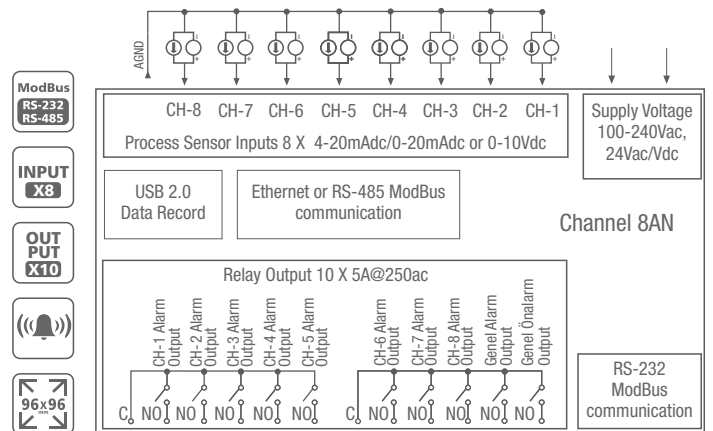
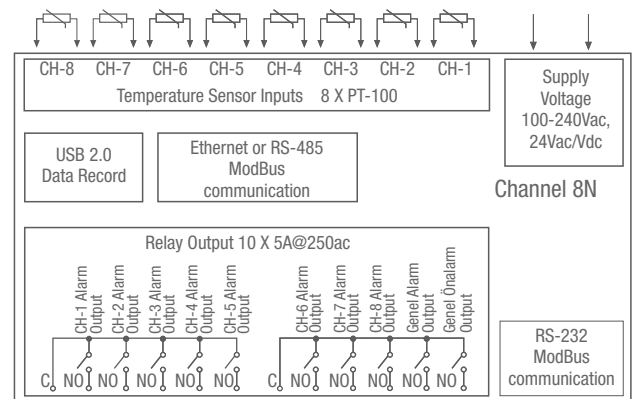
- ▶ ModBus RTU communication protocol (RS-232, RS-485 and Ethernet communication)
- ▶ Operating with Real Time Clock (RTC)

Specifications

- 8 Analogue inputs
- 8 PT-100 input with two wires
- ON-OFF control
- Sensor error detection
- Adjustable offset
- User defined channel labels
- Display scan modes
- Relay outputs
- Data Logging to USB Flash Memory
- Adjustable data logging time interval
- Password protection for programming mode

Technical Specification

- Accuracy:** ± 0,25% of full scale
- Line Compensation:** Maximum 10 Ohm
- Sensor Break Protection:** Upscale
- Sampling Time:** 400msecs



Channel 8N (96x96x96 mm)
Channel 8AN (96x96x96 mm)

- A** Supply Voltage
- 1** 100-240Vac 50/60 Hz (-15%; +10%)-6VA Universal
 - 2** 24Vac 50/60 Hz (-15%;+10%) 24Vdc (-15%; +10%)

- B** Outputs
- R** 10 Relay outputs with 2 common for each NO contact 5A max. (5A@250V at resistive load) for each Common contact 15A max (15A@250V at resistive load)

- Optional Communication-2 **E**
 - None **0**
 - USB (USB2.0 "for temperature data logging") **U**
- Optional Communication-1 **D**
 - None **0**
 - RS-485 (up to 115200 baudrate, "500VAC isolation") **4**
 - ETHERNET (10Mbit/s, "1500VAC isolation") **E**
- Standard Serial Communication **C**
 - USB (USB2.0 "for temperature data logging") **2**

4 Zone PID Control

PID QUADRO

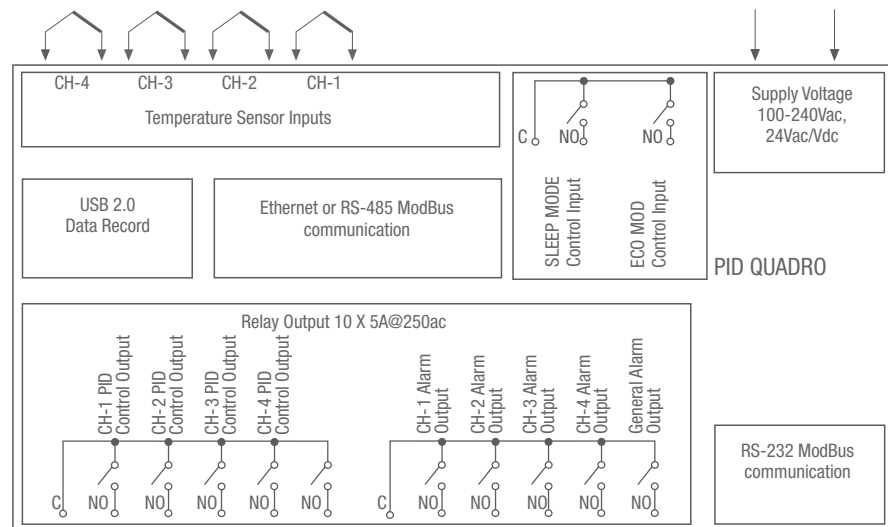


- ▶ Auto-Tuning and Self-Tuning (Automatic calculations of PID parameters)
- ▶ Data Logging to USB Flash Memory

- ▶ Soft-Start (Ramp action during power on) specification
- ▶ 3 Different alarm types for each channel (High, Low and Band Alarms)

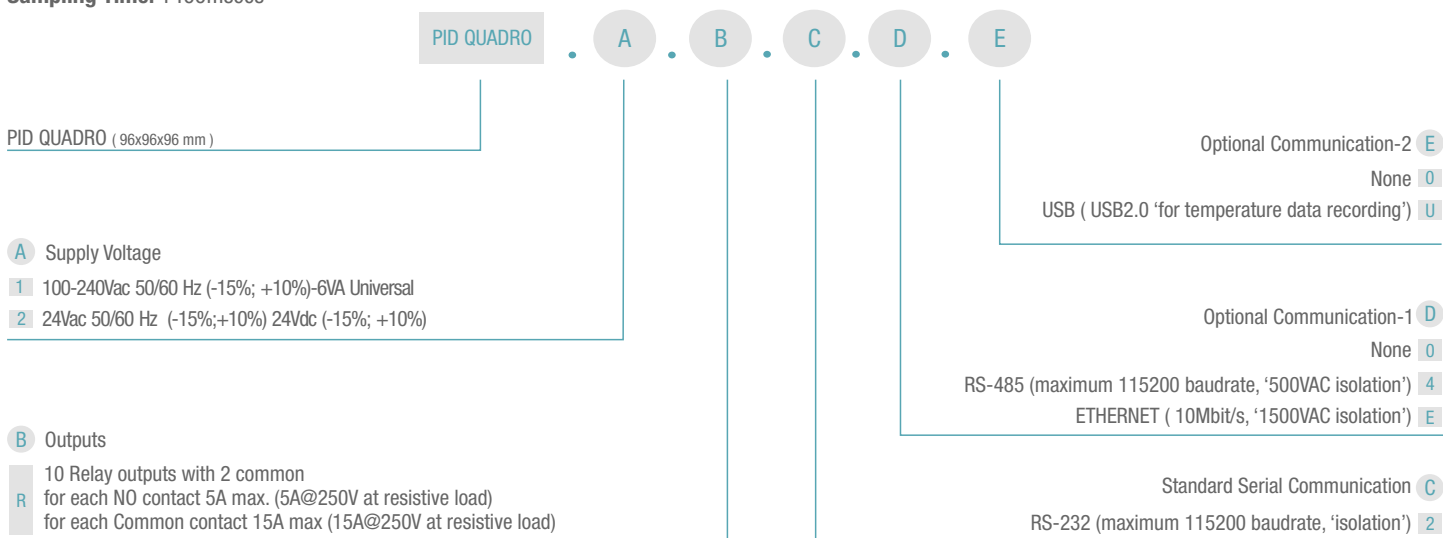
Specifications

- 128 x 64 Graphical LCD display
- 4 Thermocouple (J, K, L, R or S type) sensor inputs
- Configurable P, PI, PD and PID control forms
- Relay outputs
- Sensor error detection
- Adjustable temperature offset for each channel
- User defined channel labels
- Operating with Real Time Clock (RTC)
- ModBus RTU communication protocol (RS-232, RS-485 and Ethernet communication)
- Adjustable data logging time interval
- Password protection for programming mode



Technical Specification

- Accuracy:** ± 0,25% of full scale
- Line Compensation:** Maximum 10 Ohm
- Sensor Break Protection:** Upscale
- Sampling Time:** 1400msecs



Temperature and Humidity Controller

ESM-3723



- ▶ Temperature Sensor Input (NTC, PTC, PT-100 and ProNem Mini PMI-P)
- ▶ Auto-Tune PID

- ▶ Humidity Sensor Input (0/2..10V, 0/4..20mA or ProHumidity Mini PMI-D)
- ▶ 4 Digits Temperature and 4 Digit Humidity Display

Specifications

Heating Control Output, Heating Alarm Output
 Humidity Control Output, Humidity Alarm Output
 PID or ON/OFF selectable temperature control
 Set Value Boundaries
 Alarm parameters and alarm status can be adjusted according to the audible alert (internal buzzer functions for alarm conditions)
 Password protection for programming section

Technical Specification

ESM-3723 Measurement range

0°C...100°C (PTC, NTC, Pt-100),
 0°C...100°C (PT100),
 -20°C...80°C(ProNem Mini PMI-P)

Accuracy: Scale ±%1, **Sensor Break Protection:** Upscale

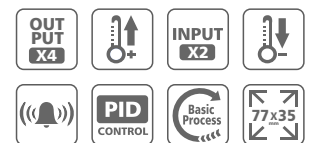
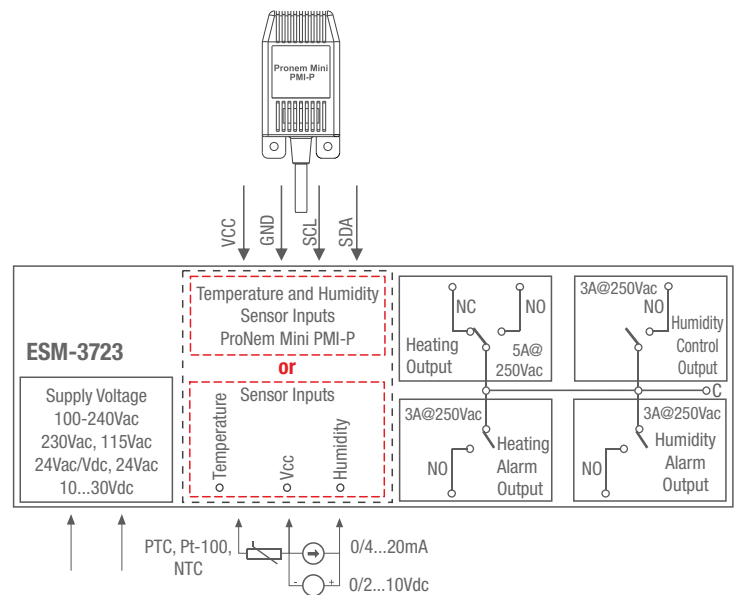
Sampling Cycle: 3 samples per second **Control Form:** ON/OFF, PID

ProNem Mini Measurement range

Measurement range (RH): 0...100 %RH
 Measurement range (T): -20°C...+80°C

Accuracy (RH): +/-2 %RH (Typ)@23°C

Accuracy (T): +/-0,3°C (Typ)@23°C



ESM-3723

ESM-3723
 (76x34,5x71 mm)

A Supply Voltage

- 1 100-240Vac 50/60Hz
- 2 24Vac/dc 50/60 Hz (-15%; +10%)
- 3 24Vac 50/60 Hz (-15%; +10%)
- 4 115Vac 50/60 Hz (-15%;+10%)
- 5 230Vac 50/60 Hz (-15%;+10%)
- 8 10..30Vdc 1.5W

B Temperature Sensor Input

- 1 PT 100, IEC751(ITS90)
- 2 PTC
- 3 NTC
- 4 0/2..10Vdc Voltage Input
- 5 0/4..20mA Current Input
- 6 ProNem Mini PMI-P

E Process Output

- 1 Heating Control: Relay (5A @ 250Vac)
- 2 SSR Driver output (Maximum 30mA @ 15Vdc)

C Humidity Sensor Input

- 4 0/2..10Vdc Voltage Input
- 5 0/4..20mA Current Input
- 6 ProNem Mini PMI-P

- 1 PTC-M6L40.K1.5 (PTC Air Probe 1.5 m silicon cable)
- 2 PTCS-M6L30.K1.5.1/8" (PTC Liquid Probe with 1.5 m silicon cable)
- 3 NTC-M5L20.K1.5 (NTC Probe thermoplastic moulded with 1.5m cable for cooling application)
- 4 NTC-M6L50.K1.5 (Metal protective tubular, 1.5 m wired NTC probe)
- 6 ProNem Mini PMI-P (2.5m cable for Temperature and Humidity application)

Humidity Alarm Output U
 Relay (3A@250Vac) 1

Heating Alarm Output HI
 Relay (3A@250Vac) 01

Humidity Output FG
 (3A@250Vac) 01

Digital Ammeter

EDA-3700



▶ AC, DC or True RMS measuring feature

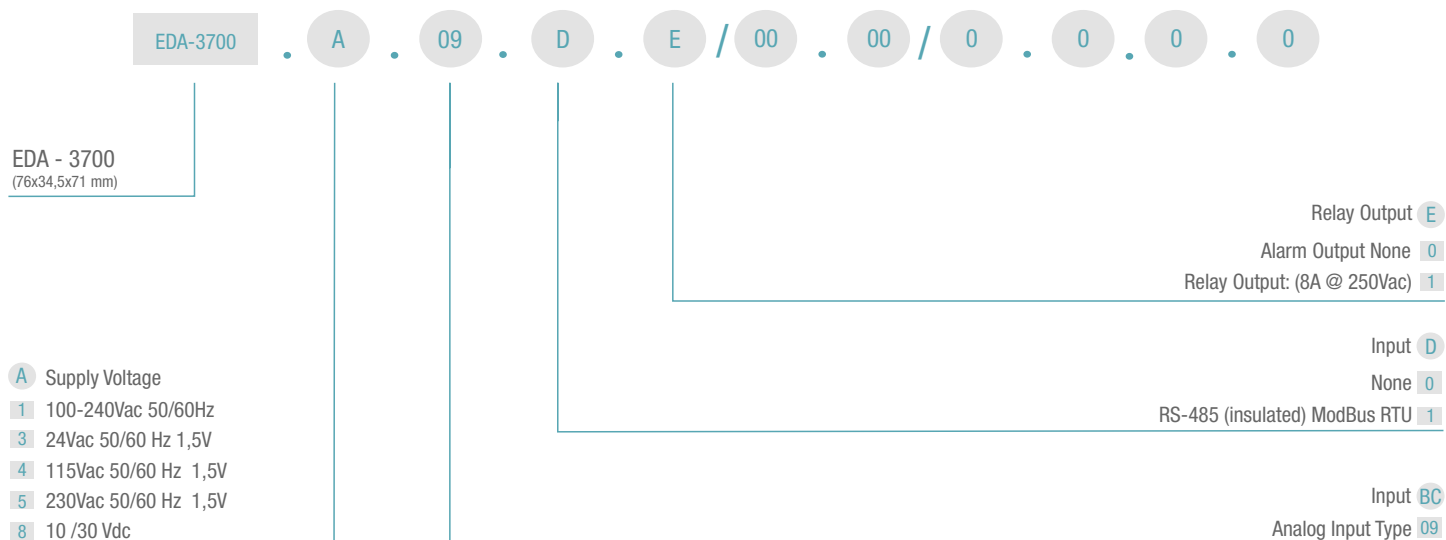
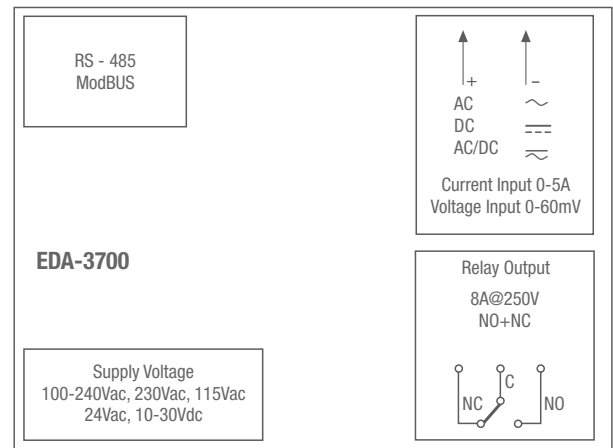
▶ Remote access, data collecting and controlling with Modbus RTU

Specifications

- Easily changeable from front panel
- 5A or 60 mV AC, DC, AC/DC input
- Programmable scale from 5A to 9999A
- Alarm parameters
- Password protection for programming mode
- Having CE mark according to European Norms

Technical Specification

- Physical properties:** 76 mm x 34.5 mm x 71 mm Plastic for panel mounting protection. Panel section 71 x 29 mm.
- Protection Class :** NEMA 4X (Ip65 at front, Ip20 at rear)
- Accuracy:** Scale $\pm 1\%$,
- Reading frequency :** According to parameter value, **Control Form:** ON/OFF
- Storage / Operating Temperature :** -30 °C to +80 °C / -20 °C to +70°C
- Storage / Operating Humidity :** 90 % max. (None condensing)
- Environmental Ratings :** Standard, indoor at an altitude of less than 2000 meters with none condensing humidity.
- Scale :** AC ve RMS 0 - 9999 / DC (-1999) - 9999
- Display :** 14 mm Red 4 digits LED Display





Temperature Controllers

Single SET Digital On/Off

ESM-3710-N

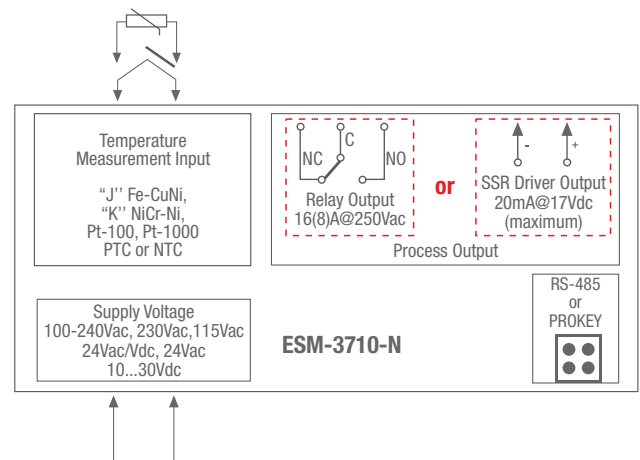


- ▶ Installing parameters using Prokey
- ▶ Password protection for programming section

- ▶ Remote access, data collecting and controlling with Modbus RTU
- ▶ Adjustable internal buzzer according to sensor defect status

Specifications

- 4 Digits Display
- NTC Input or PTC Input or J type thermocouple Input or Ktype thermocouple Input or 2-Wire PT-100 Input or 2-Wire PT-1000 Input (Must be determined in order.)
- Adjustable temperature offset
- ON/OFF temperature control
- Selectable heating or cooling function
- Selectable decimal type for PTC and NTC via parameter
- Adjustable temperature offset
- Set value low limit and set value high limit boundaries
- Operation selection of compressor operates continuously, stops or operates periodically in case of sensor defect
- Compressor protection delays



Technical Specification

- Accuracy:** ±1% of scale
- Cold Junction Compensation:** Automatically ± 0.1°C/1°C
- Sensor Break Protection:** Upscale
- Sampling Cycle:** 3 samples per second



ESM-3710-N . A . BC . 0 . E / 00 . 00 / 1 . V . 0 . 0

ESM-3710-N (76x34,5x71 mm)

A Supply Voltage

- 1 100-240Vac 50/60Hz
- 2 24Vac/dc (-15%;+10%) 50/60 Hz -1.5VA
- 3 24Vac (±15%) 50/60 Hz -1.5VA
- 4 115Vac (±15%) 50/60 Hz -1.5VA
- 5 230Vac (±15%) 50/60 Hz -1.5VA
- 8 10-30Vdc

BC Input

- 05 J, Fe CuNi IEC584.1(ITS90)
- 10 K, NiCr Ni IEC584.1(ITS90)
- 11 Pt 100, (-50...400°C)
- 09 Pt 100, (-19.9...99.9°C)
- 12 PTC (-50...150°C) / PTC (-19.9...99.9°C)
- 14 Pt 1000, (-50...400°C)
- 13 Pt 1000, (-19.9...99.9°C)
- 18 NTC (-50...100°C) / NTC (-19.9...99.9°C)

- V
- 1 PTC-M6L40.K1.5 (PTC Air Probe with 1.5 m silicon cable)
- 2 PTCS-M6L30.K1.5.1/8" (PTC Liquid Probe with 1.5 m silicon cable)
- 3 NTC-M5L20.K1.5 (NTC Probe, thermoplastic moulded with 1.5 m cable for cooling application)
- 4 NTC-M6L50.K1.5 (Metal protective tubular, 1.5 m wired NTC probe)

Process Output E

- 1 Relay Output: (16(8)A @ 250Vac)
- 2 SSR Driver Output (Maximum 20mA @ 17Vdc)
- 3 Relay Output (30(15)A@240Vac, 1 NO (Only for NTC input type devices.)

Temperature Controller

DIN RAIL Mounting Digital On/Off

ESM-1510-N



DIN RAIL Mounting

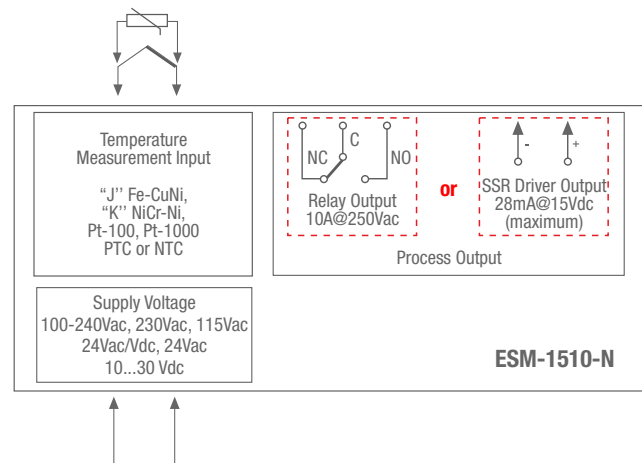
Heating / Cooling Applications

Specifications

- 3 Digits display
- PTC, NTC PT-100, PT-1000 thermoresesistances input types
- Fe-Const (J), NiCr-Ni (K) thermocouples input types (Must be determined in order)
- ON/OFF Temperature Control
- Selectable Heating or Cooling Function
- Selectable decimal type for PTC and NTC via parameter
- Adjustable Temperature Offset Value
- Set Value Boundaries
- Relay or SSR Driver Output
- Operation selection of compressor operates continuously, stops or operates periodically in case of probe defect
- Compressor Protection Times
- Password Protection for Programming Section

Technical Specification

- Accuracy:** ±1% of scale
- Cold Junction Compensation:** Automatically ± 0.1°C/1°C
- Sensor Break Protection:** Upscale
- Sampling Cycle:** 3 samples per second



ESM-1510-N . A . BC . 0 . E / 00 . 00 / 2 . V . 0 . 0

ESM-1510-N (90x35x61,2 mm)

- A** Supply Voltage
 - 1 100-240Vac 50/60Hz
 - 2 24Vac/dc (-15%;+10%) 50/60 Hz -1.5VA
 - 3 24Vac (±15%) 50/60 Hz -1.5VA
 - 4 115Vac (±15%) 50/60 Hz -1.5VA
 - 5 230Vac (±15%) 50/60 Hz -1.5VA
 - 8 10...30 Vdc
- BC** Input
 - 05 J, Fe CuNi IEC584.1(ITS90)
 - 10 K, NiCr Ni IEC584.1(ITS90)
 - 11 Pt 100, (-50...400°C)
 - 09 Pt 100, (-19.9...99.9°C)
 - 12 PTC (-50...150°C) / PTC (-19.9...99.9°C)
 - 15 PTC (-19.9...99.9°C)
 - 14 Pt 1000, (-50...400°C)
 - 13 Pt 1000, (-19.9...99.9°C)
 - 18 NTC (-50...100°C) / NTC (-19.9...99.9°C)
 - 19 NTC (-19.9...99.9°C)

- V**
 - 1 PTC-M6L40.K1.5 (PTC Air Probe with 1.5 m silicon cable)
 - 2 PTCS-M6L30.K1.5.1/8" (PTC Liquid Probe with 1.5 m silicon cable)
 - 3 NTC-M5L20.K1.5 (NTC Probe, thermoplastic moulded with 1.5 m cable for cooling application)
 - 4 NTC-M6L50.K1.5 (Metal protective tubular, 1.5 m wired NTC probe)
- E** Process Output
 - 1 Relay Output (10A @ 250Vac)
 - 2 SSR Driver Output (Maximum 28mA @ 15Vdc)



Heating Controller

Single SET ON/OFF

ESM-3711-HN



- ▶ Remote access, data collecting and controlling with Modbus RTU
- ▶ Installing parameters using Prokey
- ▶ User can select to start cooking time (Timer) when temperature reaches to the set value

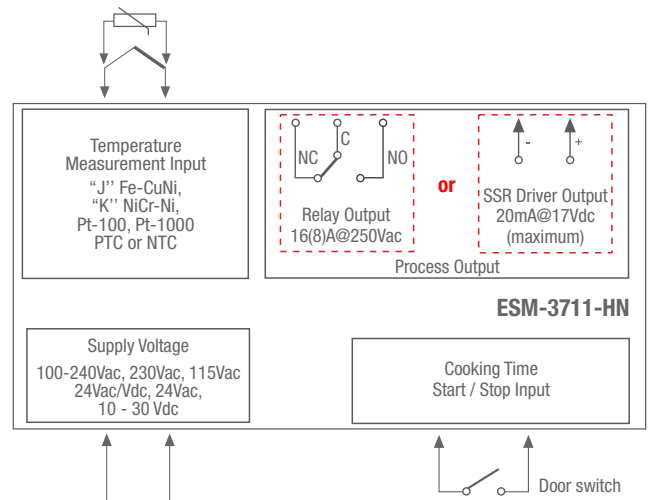
- ▶ Adjustable temperature offset
- ▶ Functional Internal Buzzer
- ▶ ON / OFF temperature control

Specifications

- 4 Digits display
- User can select to start Cooking Time when Temperature reaches to the Set Value
- PTC, NTC, PT-100, PT-1000 thermoresistances input types
- Fe-Const (J), NiCr-Ni (K) thermocouples input types
- Temperature Control Output and Alarm Output
- Selectable decimal type for PTC and NTC via parameter
- Relay or SSR Driver Output
- Adjustable Cooking Time from Front Panel
- Digital Input (Start/Stop Input for Cooking Time)
- Temperature Control According to the Cooking Time
- Adjustable Internal Buzzer According to Cooking Time,
- Probe Defect and Alarm Status

Technical Specification

- Accuracy:** ±1% of scale
- Cold Junction Compensation:** Automatically ± 0.1°C/1°C
- Sensor Break Protection:** Upscale
- Sampling Cycle:** 3 samples per second



ESM-3711-HN . A . BC . 0 . E / 00 . 00 / . 1 . V . 0 . 0

ESM-3711-HN
(76x34,5x71 mm)

- A** Supply Voltage
- 1** 100-240Vac 50/60Hz
- 2** 24Vac/dc (±15%) 50/60 Hz
- 3** 24Vac (±15%) 50/60 Hz
- 4** 115Vac (±15%) 50/60 Hz
- 5** 230Vac (±15%) 50/60 Hz
- 8** 10...30Vdc
- BC** Input
- 05** J, Fe CuNi IEC584.1(ITS90)
- 10** K, NiCr Ni IEC584.1(ITS90)
- 11** Pt 100, (-50...400°C)
- 09** Pt 100, (-19.9...99.9°C)
- 12** PTC (-50...150°C) / PTC (-19.9...99.9°C)
- 14** Pt 1000, (-50...400°C)
- 13** Pt 1000, (-19.9...99.9°C)
- 18** NTC (-50...100°C) / NTC (-19.9...99.9°C)

- V**
- 1** PTC-M6L40.K1.5
(PTC Air Probe with 1.5 m silicon cable)
- 2** PTCS-M6L30.K1.5.1/8"
(PTC Liquid Probe with 1.5 m silicon cable)
- 3** NTC-M5L20.K1.5
(NTC Probe, thermoplastic moulded with
1.5 m cable for cooling application)
- 4** NTC-M6L50.K1.5
(Metal protective tubular, 1.5 m wired NTC probe)
- E** Process Output
- 1** Relay Output: (16(8)A @ 250Vac)
- 2** SSR Driver Output: (Max.20mA, Max.17Vdc)

Cooling Controller Devices

Single & Duel SET

ESM-3711-CN ESM-3712-CN



- ▶ 3 Output for compressor, defrost and fan controls
- ▶ Separately adjustable 2 offset value for cabinet and evaporator sensor

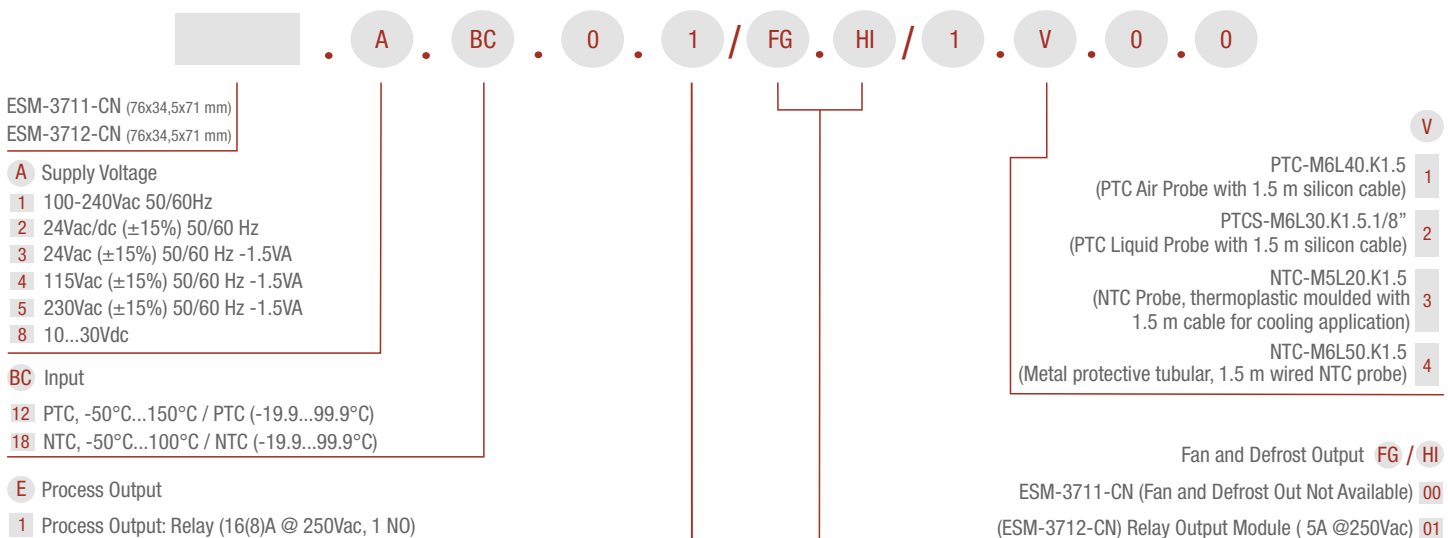
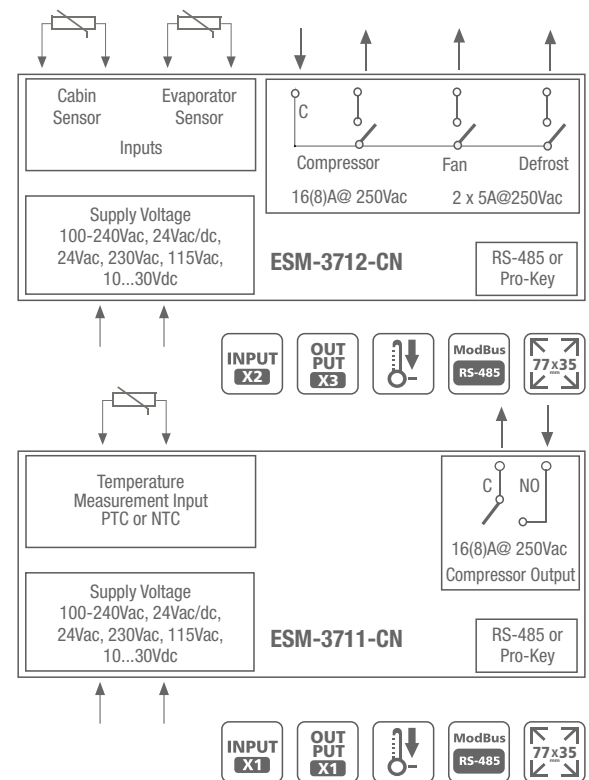
- ▶ Operation selection of compressor operate continuously, stops or operates periodically in case of cabinet probe defect
- ▶ Fan can be operated depending on compressor and defrost

Specifications

- Cooling Application
- NTC Input or PTC Input (Must be determined in order.)
- Selectable decimal type for PTC and NTC via parameter
- ON/OFF Control
- Adjustable °C and °F
- Set value boundaries
- 2 sensor input for cabinet and evaporator
- Configurable digital input
- Selectable defrost function (hot gas or electric)
- Adjustable defrost time from front panel
- Fan can be operated depending on evaporator temperature or (cabinet-evaporator) temperature
- Defrost time and/or manual defrost and/or temperature set value protection
- Installing parameters using Prokey
- Remote access, data collecting and controlling with ModBus RTU
- Password protection for programming mode

Technical Specification

- Accuracy:** ±1% of scale
- Sensor Break Protection:** Upscale
- Sampling Cycle:** 3 samples per second





Temperature Controller

Dual SET On/Off Heating and Cooling Controller

ESM-3712-HCN



- ▶ Installing parameters using Prokey
- ▶ 2 Output for compressor and alarm controls

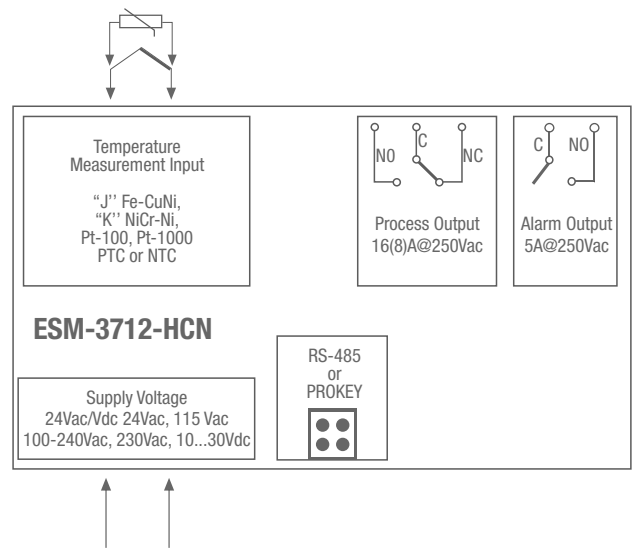
- ▶ Remote access, data collecting and controlling with Modbus RTU
- ▶ Process Set value and Alarm Set value low limit and set value high limit boundaries

Specifications

- 4 Digits Display
- NTC Input or PTC Input (Must be determined in order)
- Selectable decimal type for PTC and NTC via parameter
- ON/OFF temperature control
- Selectable heating or cooling function
- Selection of operation with hysteresis
- Adjustable temperature offset
- Alarm parameters
- Operation selection of compressor operates continuously, stops or operates periodically in case of sensor defect
- Compressor protection delays
- Password protection for programming section
- Adjustable Alarm Set Value from front panel
- Adjustable internal buzzer according to Sensor prob defect and Alarm status

Technical Specification

- Accuracy:** ±1% of scale
- Cold Junction Compensation:** Automatically ± 0.1°C/1°C
- Sensor Break Protection:** Upscale
- Sampling Cycle:** 3 samples per second



ESM-3712-HCN . A . BC . 0 . 1 / 1 . 00 / . 1 . V . 0 . 0

ESM-3712-HCN
(76x34,5x71 mm)

- A** Supply Voltage
- 1 100-240Vac 50/60Hz
- 2 24Vac/dc (±15%) 50/60 Hz
- 3 24Vac (±15%) 50/60 Hz
- 4 115Vac (±15%) 50/60 Hz
- 5 230Vac (±15%) 50/60 Hz
- 8 10...30Vdc
- BC** Input
- 05 J, Fe CuNi IEC584.1(ITS90)
- 10 K, NiCr Ni IEC584.1(ITS90)
- 11 Pt 100, (-50...400°C)
- 9 Pt 100, (-19.9...99.9°C)
- 12 PTC (-50...150°C) / PTC (-19.9...99.9°C)
- 18 NTC (-50...100°C) / NTC (-19.9...99.9°C)
- 14 Pt 1000, (-50...400°C)
- 13 Pt 1000, (-19.9...99.9°C)

- V**
- 1 PTC-M6L40.K1.5 (PTC Air Probe with 1.5 m silicon cable)
- 2 PTCS-M6L30.K1.5.1/8" (PTC Liquid Probe with 1.5 m silicon cable)
- 3 NTC-M5L20.K1.5 (NTC Probe, thermoplastic moulded with 1.5 m cable for cooling application)
- 4 NTC-M6L50.K1.5 (Metal protective tubular, 1.5 m wired NTC probe)
- Alarm Output **FG** (5A @ 250Vac, 1 NO) 1
- Process Output **E** Relay (16(8)A @ 250Vac, 1 NO) 1

Temperature Controllers

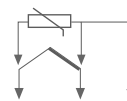
Single & Dual ON/OFF

ESM-4410 ESM-7710 ESM-9910



ON/OFF Control Form

Selectable Heating and Cooling Function

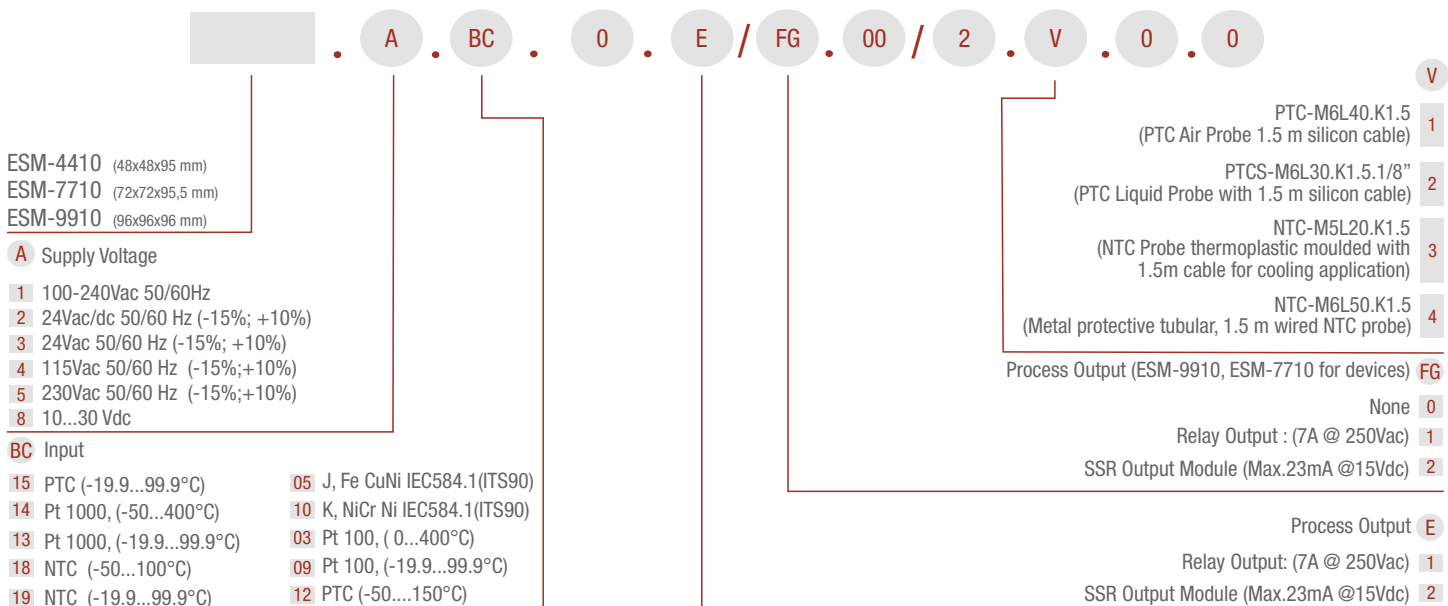
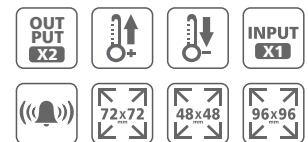
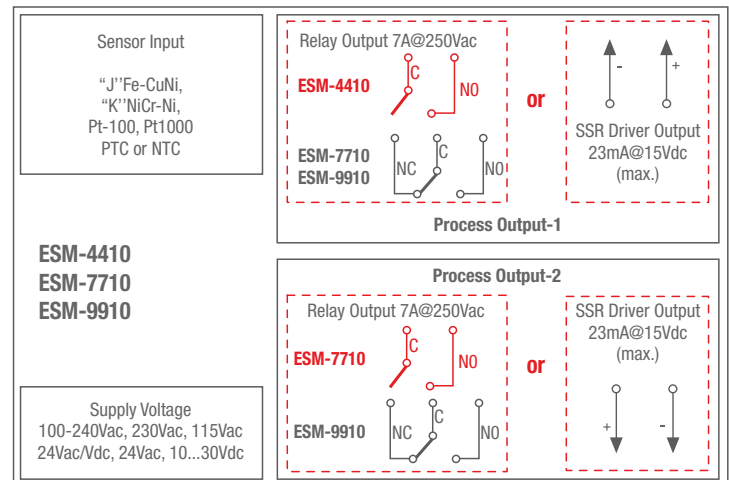


Specifications

- PTC, NTC, PT-100, PT-1000 thermoresistances input types
- Fe-Const (J), NiCr-Ni (K) thermocouples input types (Must be determined in order)
- Operating Type Selection with Hysteresis
- Adjustment of Temperature Offset Value
- Minimum Pulling Time Adjustment for Control Outputs
- Password Protection for Programming Section

Technical Specification

- Accuracy:** ±1% of scale
- Cold Junction Compensation:** Automatically ± 0.1°C/1°C
- Sensor Break Protection:** Upscale
- Sampling Cycle:** 3 samples per second





Temperature Controllers

Dual SET PID

ESM-3720



- ▶ Remote access, data collecting and controlling with Modbus RTU
- ▶ Installing parameters using Prokey
- ▶ PID or ON/OFF selectable temperature control

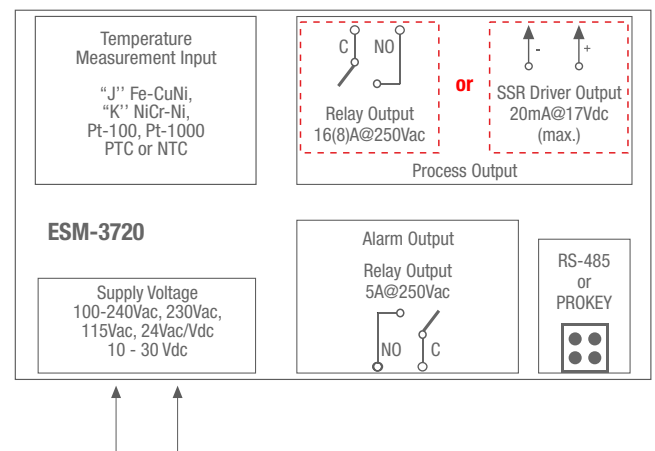
- ▶ Password protection for programming section
- ▶ Having CE mark according to European Norms
- ▶ Adjustable internal buzzer according to sensor defect status

Specifications

4 Digits Display
 NTC Input or PTC Input or
 J type thermocouple Input or Ktype thermocouple Input or
 2-Wire PT-100 Input or 2-Wire PT-1000 Input (Must be determined in order.)
 Adjustable temperature offset
 Selectable decimal type for PTC and NTC via parameter
 Adjustable temperature offset
 Set value low limit and set value high limit boundaries
 Operation selection of compressor operates continuously,
 stops or operates periodically in case of sensor defect
 Compressor protection delays

Technical Specification

Accuracy: ±1% of scale
Cold Junction Compensation: Automatically ± 0.1°C/1°C
Sensor Break Protection: Upscale
Sampling Cycle: 3 samples per second



ESM-3720 A . BC . 0 . E / 01 . 00 / . 1 . V . 0 . 0

ESM-3720 (76x34,5x71mm)

A Supply Voltage	V
1 100-240Vac 50/60Hz	1 PTC-M6L40.K1.5 (PTC Air Probe with 1.5 m silicon cable)
2 24Vac/dc (±15%) 50/60 Hz	2 PTCS-M6L30.K1.5.1/8" (PTC Liquid Probe with 1.5 m silicon cable)
3 24Vac (±15%) 50/60 Hz	3 NTC-M5L20.K1.5 (NTC Probe, thermoplastic moulded with 1.5 m cable for cooling application)
4 115Vac (±15%) 50/60 Hz	4 NTC-M6L50.K1.5 (Metal protective tubular, 1.5 m wired NTC probe)
5 230Vac (±15%) 50/60 Hz	FG Alarm Output
8 10-30Vdc	01 5A@250 Vac, 1 NO
BC Input	E Process Output
05 J, Fe CuNi IEC584.1(ITS90)	1 Relay Output: (16(8)A @ 250Vac)
10 K, NiCr Ni IEC584.1(ITS90)	2 SSR Driver output (Maximum 20mA @ 17Vdc)
11 Pt 100, (-50...400°C)	
09 Pt 100, (-19.9...99.9°C)	
12 PTC (-50...150°C) / PTC (-19.9...99.9°C)	
14 Pt 1000, (-50...400°C)	
13 Pt 1000, (-19.9...99.9°C)	
18 NTC (-50...100°C) / NTC (-19.9...99.9°C)	

PID Temperature Controllers

ESM-4420 ESM-4920
ESM-7720 ESM-9420 ESM-9920



- ▶ Universal process input (TC,RTD)
- ▶ Adaptation of PID Coefficients to the system with Self-Tune and AUTO-Tune operations

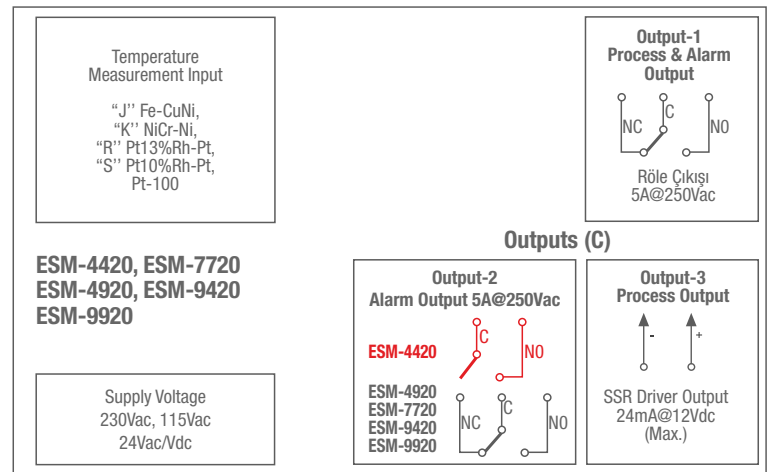
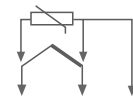
- ▶ 2 Relays and 1 SSR drive output
- ▶ Soft Start Output For Resistance Durability

Specifications

4 Digits process (PV) and 4 Digits set value (SV) display
Configurable ON/OFF, P, PI, PD, and PID control forms
Programmable Heating or Cooling Functions for Control Output
Alarm Functions for Alarm Output
SET Value Limitation For System Protection
Sensor Break Protection

Technical Specification

Accuracy: $\pm 0.25\%$ of full scale for thermocouple, thermoresistance
Cold Junction Compensation: Automatically $\pm 0.1^\circ\text{C}/1^\circ\text{C}$
Line Compensation: Maximum 10 Ohm
Sensor Break Protection: Upscale
Sampling Cycle: 3 samples per second
Input Filter: 1.0 second



ESM-4420 (48x48x95 mm)
ESM-7720 (72x72x95,5 mm)
ESM-4920 (96x48x94,5 mm)
ESM-9420 (48x96x94,5 mm)
ESM-9920 (96x96x96 mm)

- A** Supply Voltage
- 2 24Vac/Vdc (-15%; +10%)50/60 Hz
 - 3 24Vac (-15%; +10%)50/60 Hz
 - 4 115Vac (-15%; +10%)50/60 Hz
 - 5 230Vac (-15%; +10%)50/60 Hz

BC Input

Universal Input: TC, RTD
Thermocouple (TC): L(DIN 43710), J, K, B, E and N(IEC584.1) (ITS90), C(ITS90)
20 Thermoresistance (RTD): PT-100, (IEC 751) (ITS90)

Output-3 **HI**
SSR Driver Output (max.24mA @ 12Vdc) **02**

Output-2 **FG**
Alarm Output :Relay (5A @250Vac) **01**

Output-1 **E**
Standard Relay Output: (5A @ 250Vac) **1**



PID Temperature Controllers

ESD-9950-N

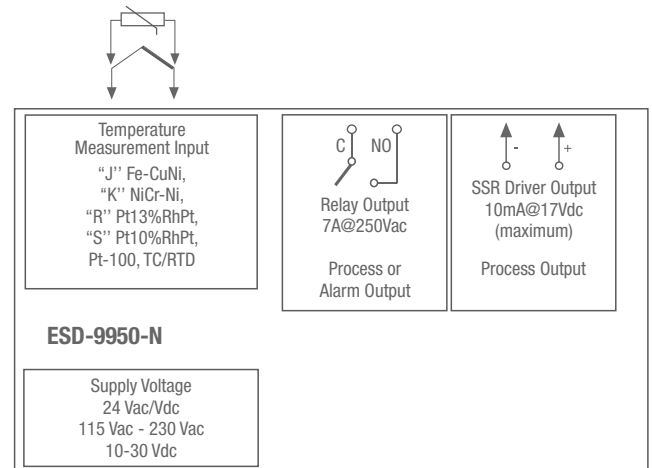


- ▶ Adjustable temperature offset
- ▶ Programmable control and alarm functions for control outputs

- ▶ Programmable ON-OFF, P, PI, PD, PID control forms
- ▶ With Auto Tune / Self Tune operation, the PID coefficients adaptation to the system

Specifications

- 4 Digits display
- J type Thermocouple Input or
- K type Thermocouple Input or
- R type Thermocouple Input or
- S type Thermocouple Input or
- 2 or 3 wire PT 100 Input



Technical Specification

- Accuracy:** ±25% of scale
- Cold Junction Compensation:** Automatically ± 0.1°C/1°C
- Sensor Break Protection:** Upscale
- Sampling Cycle:** 10 samples per second



ESD-9950-N . A . 20 . 0 . 1 / 02 . 00 / . 0 . 0 . 0 . 0

ESD-9950-N (96x96x100 mm)

- A** Supply Voltage
- 2** 24Vac/dc (±15%) 50/60 Hz
- 3** 24Vac (±15%) 50/60 Hz
- 4** 115Vac (±15%) 50/60 Hz
- 5** 230Vac (±15%) 50/60 Hz
- 8** 10 - 30 Vdc

- BC** Input
- Universal Input: TC, RTD
- Thermocouple (TC): J, K, R, S and N(IEC584.1) (ITS90), C(ITS90)
- Thermoresistance (RTD): PT-100, (IEC 751) (ITS90)

Process Output **FG**
SSR Driver Output (Max. 10mA, Max. 17Vdc) **02**

Process or Alarm Output **E**
Relay Output (7A @ 250Vac) (NO, NC, C) **1**

Order Code		Eco LITE	Eco PID	Eco HR
A	<input type="checkbox"/>			
B	<input type="checkbox"/>			
C	<input type="checkbox"/>			
D	<input type="checkbox"/>			
E	<input type="checkbox"/>			
A Dimension				
4	48x48mm	+	+	+
B Supply Voltage				
5	230Vac (-15%, +10%) 50/60Hz	+	+	+
6	10-30Vdc	+	+	+
3	115Vac (-15%, +10%) 50/60Hz	+	+	+
C Output-1				
1R	1xRelay Output (NO+C) 5A@250Vac	+	+	+
2R	2xRelay Output (NO+C) 5A@250Vac	+	+	+
D Output-2				
S	SSR driver output (Maks. 10mA, 12Vdc)	-	+	+
E Communication				
0	Without Communication	+	+	+
485	RS-485 ModBus	-	+	+
DI	Digital Input (220Vac) for secondary set value	-	-	+
Specifications				
Universal Thermocouples (TC) & Thermoresistances (RTD) input		+	+	+
ON-OFF control form		+	+	+
P, PI, PID, control form		-	+	+
Adaptation of PID coefficients to the system with Self-Tune and Auto-Tune operation		-	+	+
Selectable heating and cooling function		+	+	+
Adjustable temperature offset value		+	+	+
Adjustable hysteresis value		+	+	+
Minimum pulling time adjustment for control outputs		+	+	+
Saving and Recovery of user parameters		+	+	+
Return to Factory settings		+	+	+
RS-485ModBus (RTU) communication option		-	+	+
Digital or RS-485 input for activate the 2nd Set value		-	-	+

Temperature Controllers

ECO LITE



- ▶ TC (J,K,R,S,T Input Types) and RTD inputs selectable by parameter
- ▶ Low Power Consumption, Energy saving and Environmentally Friendly with 2VA

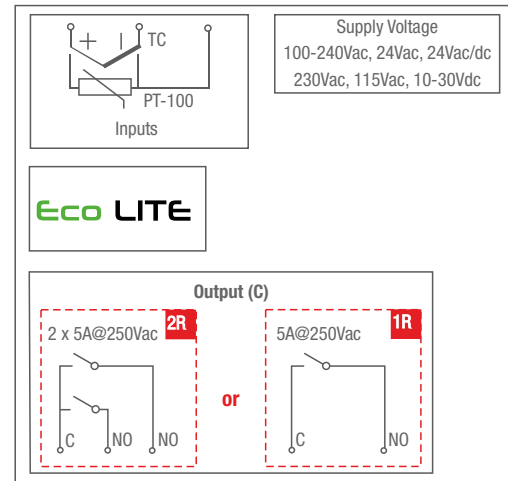
- ▶ Saving and Recovery of user parameters
- ▶ Return to Factory Settings

Specifications

- 3 Digits Process (PV) and 4 Digits Set (SV) display
- Process input (TC, RTD)
- ON-OFF control form
- Selectable heating and cooling function
- Selectable temperature offset value
- Operation type selection with hysteresis
- Minimum pulling time adjustment for control outputs
- Password protection for programming mode

Technical Specification

- Accuracy:** $\pm 0.25\%$ of full scale
- Cold Junction Compensation:** Automatically $\pm 0.1^\circ\text{C}/1^\circ\text{C}$
- Line Compensation:** Maximum 10 Ohm
- Sensor Break Protection:** Upscale
- Sampling Cycle:** 0.1 second



ECO-LITE

A Dimensions

4 48x48x80,52 mm

B Power Supply

- 1** 100-240Vac 50/60Hz
- 2** 24Vac/dc ($\pm 15\%$) 50/60Hz
- 3** 115Vac ($\pm 15\%$) 50/60Hz
- 5** 230Vac ($\pm 15\%$) 50/60Hz
- 6** 10-30Vdc
- 7** 24Vac ($\pm 15\%$) 50/60Hz

C Output-1

- 1R** 1xRelay Output (NO+C) 5A@250Vac
- 2R** 2xRelay Output (NO+C) 5A@250Vac

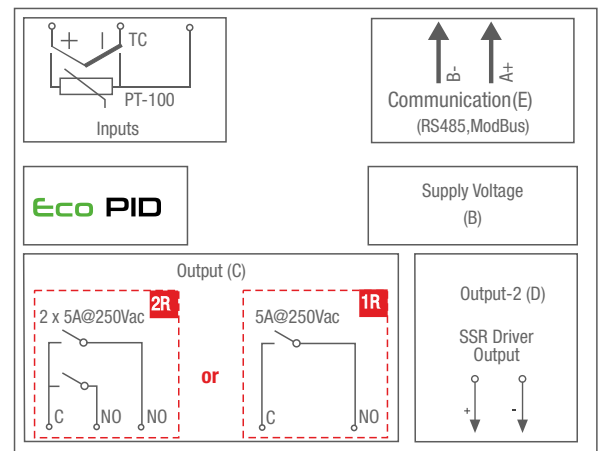


- ▶ High Resolution Sensitive PID control
- ▶ TC (J,K,R,S,T Input Types) and RTD inputs selectable by parameter
- ▶ Low Power Consumption, Energy saving and Environmentally Friendly with 2VA

- ▶ Saving and Recovery of user parameters
- ▶ RS-485 Modbus (RTU) communication option
- ▶ Return to Factory Settings

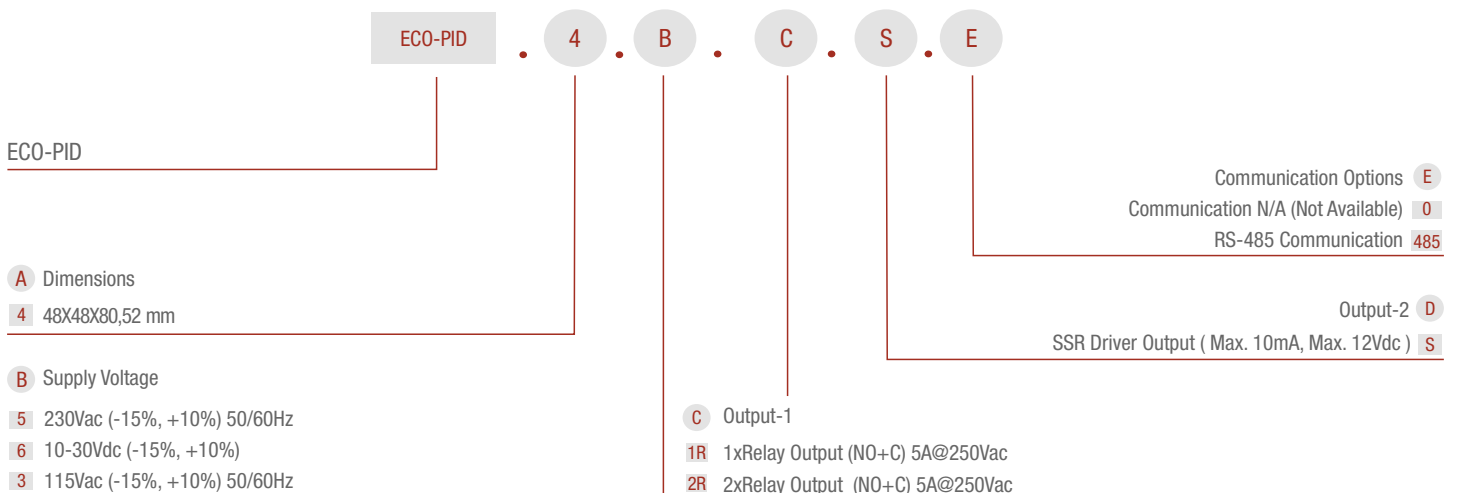
Specifications

3 Digits Process (PV) and 4 Digits Set (SV) display
 Process input (TC, RTD)
 Programmable ON-OFF, P, PI, PD, PID control forms
 Adaptation of PID Coefficients to the system
 with Self-Tune operation (Step ResponseTuning) and
 Auto-Tune (limitcycling-tuning)
 Selectable heating and cooling function
 Selectable temperature offset value
 Operation type selection with hysteresis
 Minimum pulling time adjustment for control outputs
 Password protection for programming mode



Technical Specification

Accuracy: $\pm 0.25\%$ of full scale
Cold Junction Compensation: Automatically $\pm 0.1^\circ\text{C}/1^\circ\text{C}$
Line Compensation: Maximum 10 Ohm
Sensor Break Protection: Upscale
Sampling Cycle: 0.1 second



PID Hot Runner

ECO HR



- ▶ High Resolution Sensitive PID control
- ▶ TC (J,K,R,S,T Input Types, PT-100) selectable by parameter
- ▶ Low Power Consumption, Energy saving and Environmentally Friendly with 2VA
- ▶ Activate 2nd Set Value by front panel

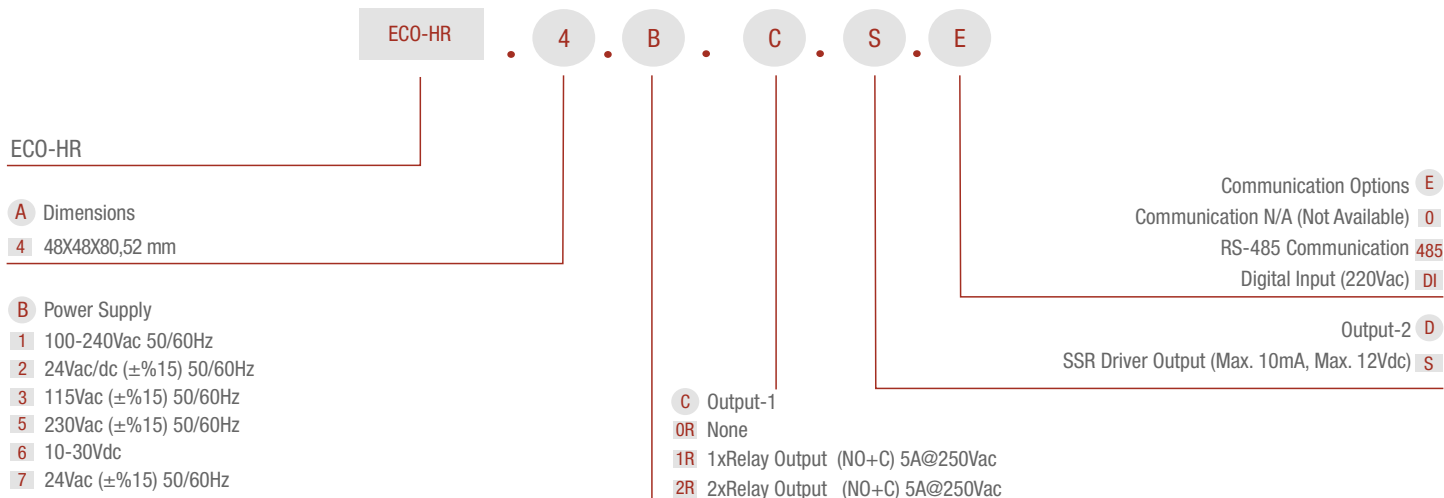
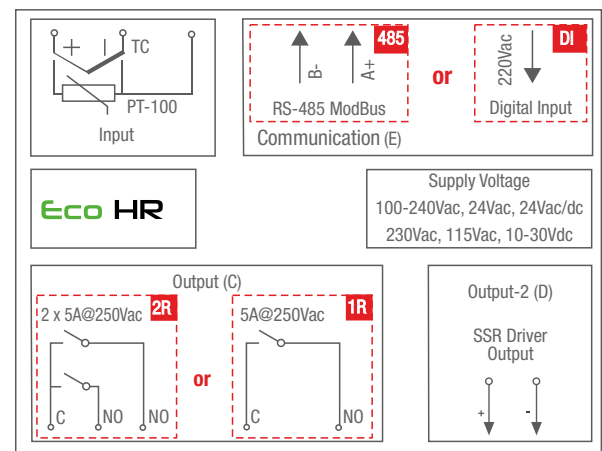
- ▶ Saving and Recovery of user parameters
- ▶ RS-485 Modbus (RTU) communication option
- ▶ Return to Factory Settings
- ▶ Digital or RS-485 input for activate the 2nd Set Value (Optional)

Specifications

3 Digits Process (PV) and 4 Digits Set (SV) display
 Process input (TC,RTD)
 Programmable ON-OFF, P, PI, PD, PID control forms
 Adaptation of PID Coefficients to the system
 with Self-Tune operation (Step Response Tuning) and
 Auto-Tune (limitcycling-tuning)
 Selectable heating and cooling function
 Selectable temperature offset value
 Operation type selection with hysteresis
 Minimum pulling time adjustment for control outputs
 Password protection for programming mode

Technical Specification

Accuracy: ±0.25%of full scale
Cold Junction Compensation: Automatically ± 0.1°C/1°C
Line Compensation: Maximum 10 Ohm
Sensor Break Protection: Upscale
Sampling Cycle: 0.1 second





- Configurable Counter, Totalizer Counter, Batch Counter, Timer, Chronometer, Frequencymeter and Tachometer
- Operation with Automatic and Manual Reset

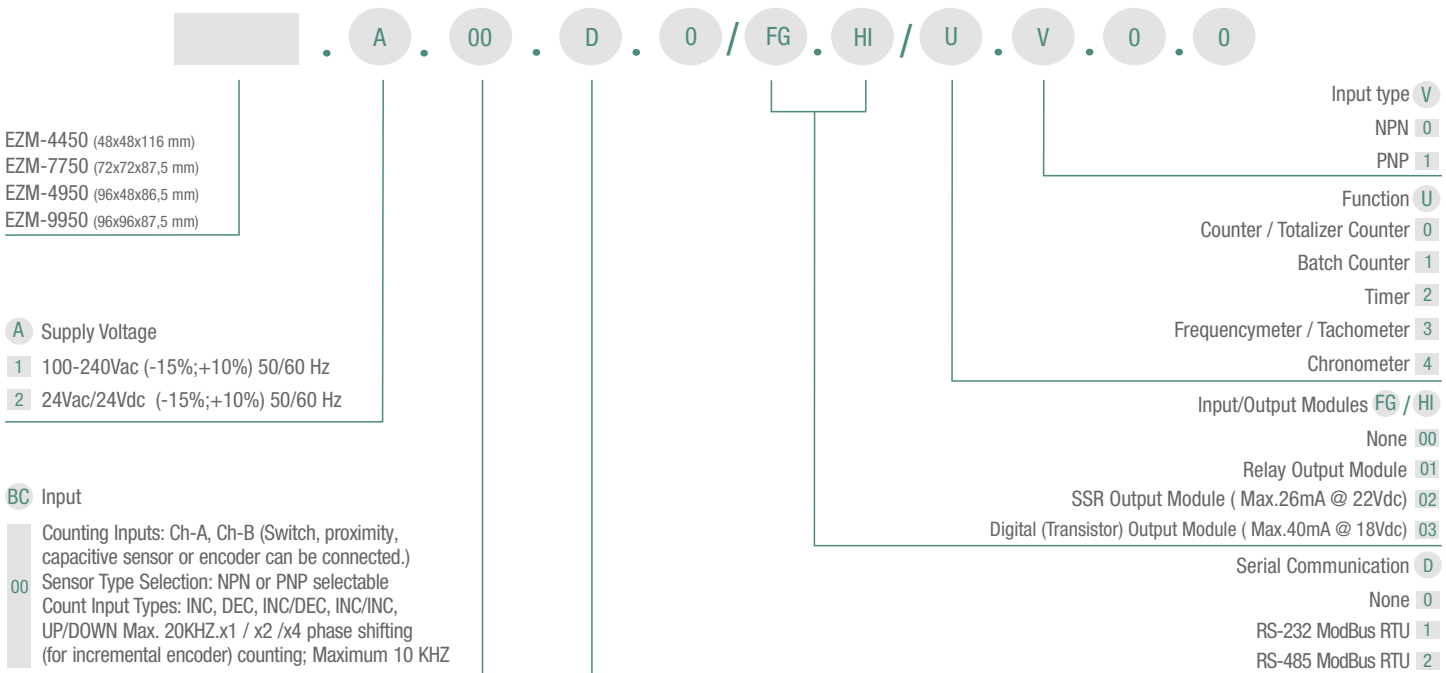
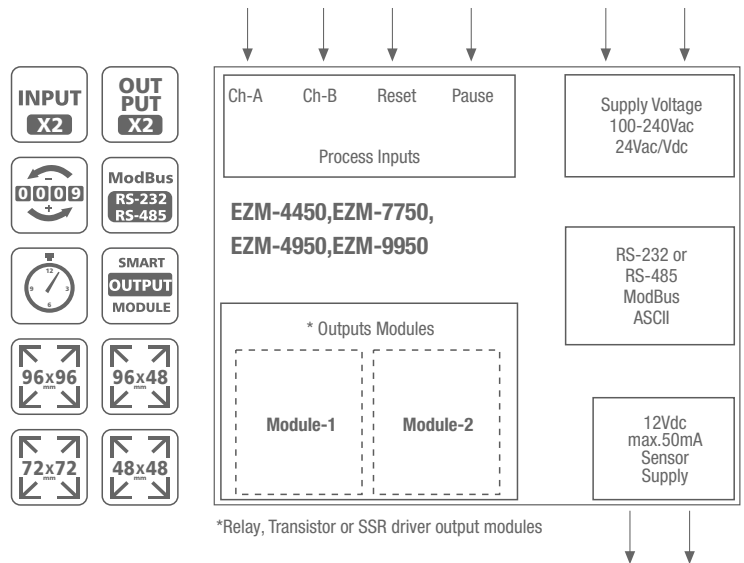
- Programmable Time Bases for Timer and Chronometer
- Multiplication Coefficient and Decimal Point Position

Specifications

6 Digits display
 Reset, Pause and ChA-ChB Counting Inputs
 Absolute or Offset Operation in Counter Function
 Different Alarm Alternatives in Frequencymeter and Cycle Measuring Functions
 INC, DEC, INC/INC, INC/DEC, UP/DOWN,
 x1 / x2 / x4 Counting with Phase Shifting Property in Counter
 RS-232 (standard) or RS-485 (optional) Serial Communication with Modbus ASCII or RTU Protocol

Technical Specification

Operating Temperature : 0...50°C
Humidity : 0-90/RH (non condensing)
Protection Class : Ip65 at front, IP20 at rear



Counters

Single SET Programmable Counters

EZM-XX30

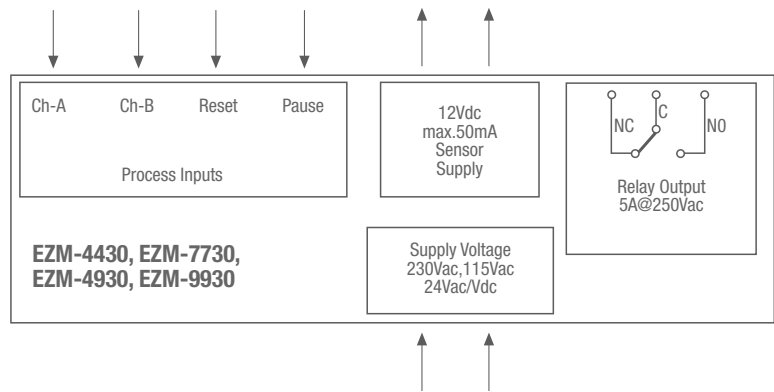


▶ Reset, Pause and ChA-ChB Counting Inputs

▶ Multiplication Coefficient and Decimal Point Position

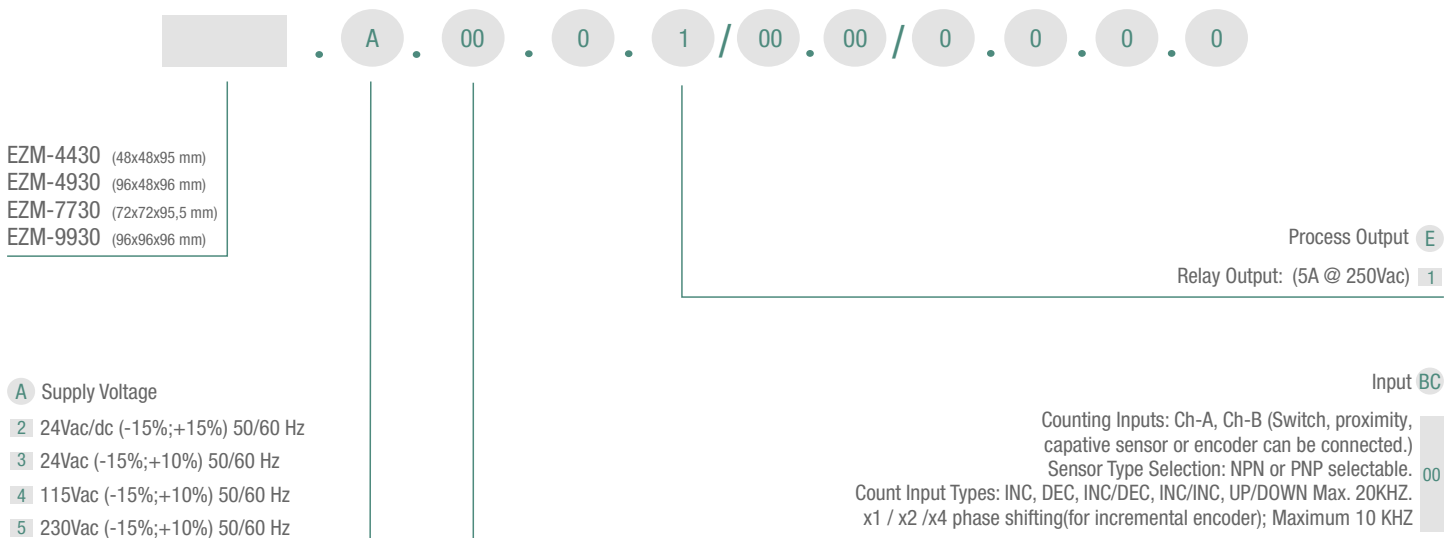
Specifications

- 6 Digits process (PV) and 6 digits Set (SV) Value Display
- Operation with 1 Set Value
- NPN/PNP Type Operation
- Operation with Automatic and Manuel Reset
- INC, DEC, INC/INC, INC/DEC, UP/DOWN, x1 / x2 / x4 Counting with Phase Shifting Property



Technical Specification

- Operating Temperature:** 0...50 °C
- Humidity:** 0-90%RH (none condensing)
- Protection:** Ip65 at front, Ip20 at rear.





Timer Relay

EZM-3735

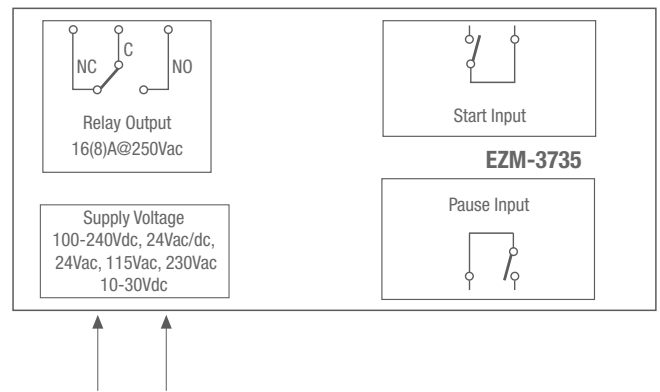


- ▶ Start and Stop Possibility by front Panel
- ▶ External Start and Pause Input

- ▶ Programmable Time Bases (Second, Minute, Hour)
- ▶ Adjustable internal buzzer according to Timer Stop status.

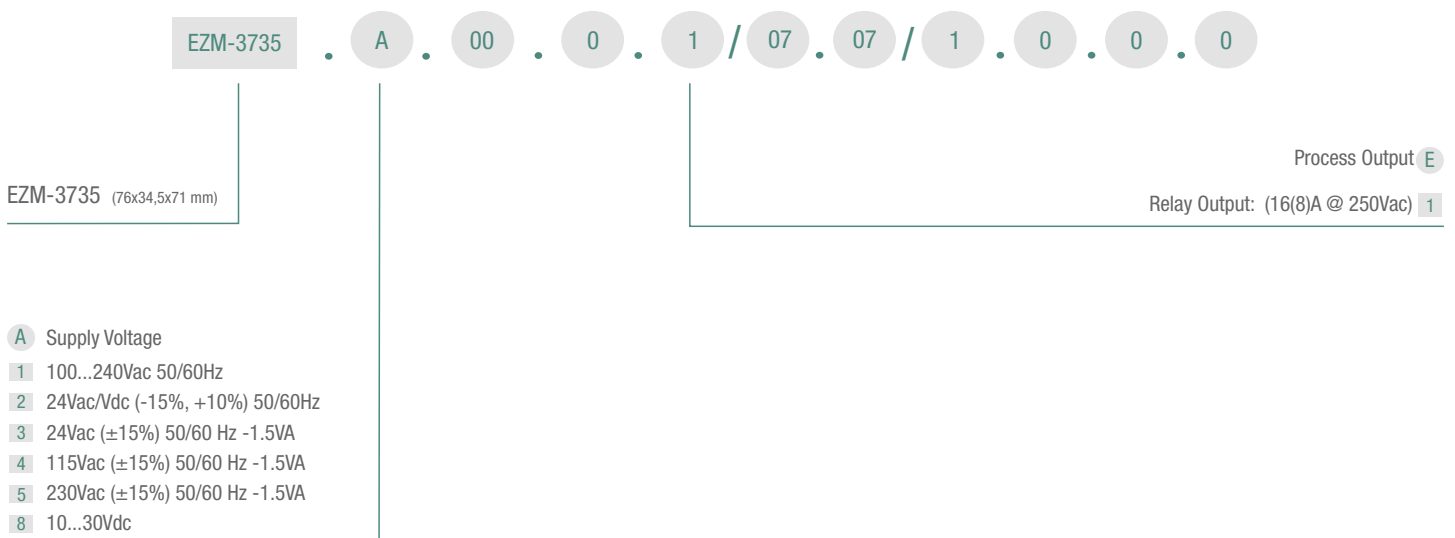
Specifications

- 4 Digits Display
- Operation with One Set value
- Single Contact Output for Timing control (ON /OFF)
- Pause possibility by front Panel
- Set value high limit boundaries
- Display can be adjusted to show Second, Minute and Hour
- Password protection for programming section
- Having CE mark according to European Norms



Technical Specification

- Operating Temperature :** 0...50°C
- Humidity :** 0-90/RH (non condensing)
- Protection Class :** Ip65 at front, IP20 at rear



Timer Relays

EZM-XX35

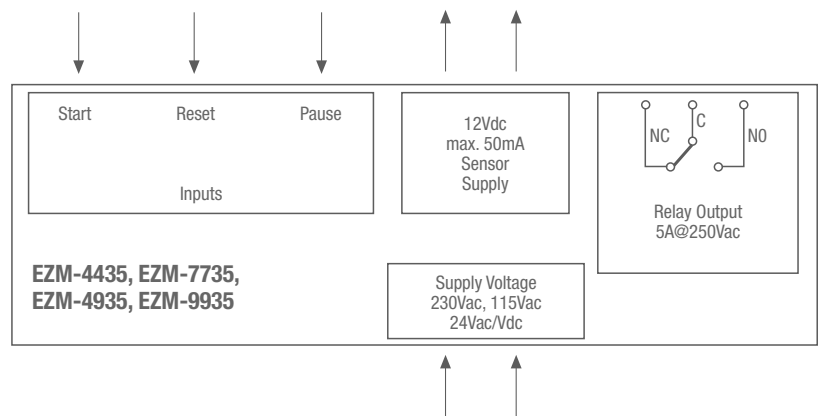


▶ Operation with Automatic and Manual Reset

▶ Programmable Time Bases (Second, Minute, Hour)

Specifications

- 6 Digits process (PV) and 6 Digits Set (SV) Value Display
- Single Contact Output for Timing control (ON /OFF)
- Operation with 1 Set Value
- Reset, Pause and Start Inputs
- Password protection for programming section
- NPN/PNP Type Operation



Technical Specification

- Operating Temperature :** 0...50°C
- Humidity :** 0-90/RH (non condensing)
- Protection Class :** Ip65 at front, IP20 at rear



- EZM-4435 (48x48x95 mm)
- EZM-4935 (96x48x96 mm)
- EZM-7735 (72x72x95,5 mm)
- EZM-9935 (96x96x96 mm)



Process Output **E**
Relay Output: (5A @ 250Vac) **1**

- A** Supply Voltage
- 2** 24Vac/dc (-15%;+15%) 50/60 Hz
- 3** 24Vac (-15%;+10%) 50/60 Hz
- 4** 115Vac (-15%;+10%) 50/60 Hz
- 5** 230Vac (-15%;+10%) 50/60 Hz

Input **BC**
Pause Input: Switch, proximity or capacitive sensor can be connected.
Start Input: Switch, proximity or capacitive sensor can be connected. **00**
Sensor Type Selection: It can be selected NPN/PNP



Digital Tachometer

ERM 3770-N

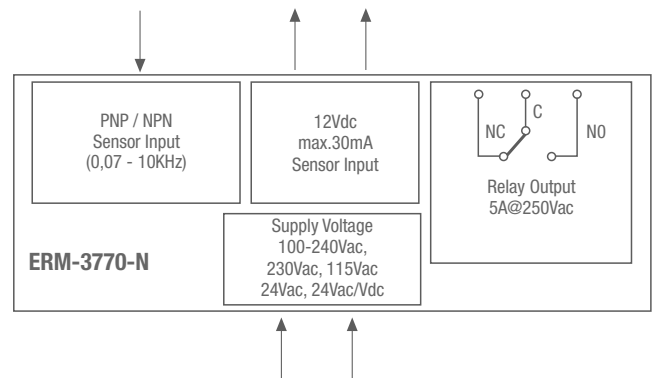


- ▶ 0.07Hz to 10000Hz input signal
- ▶ Working with Process Set and Alarm Set value

- ▶ Set Decimal Point
- ▶ Automatic sampling (1 sec to 16 sec)

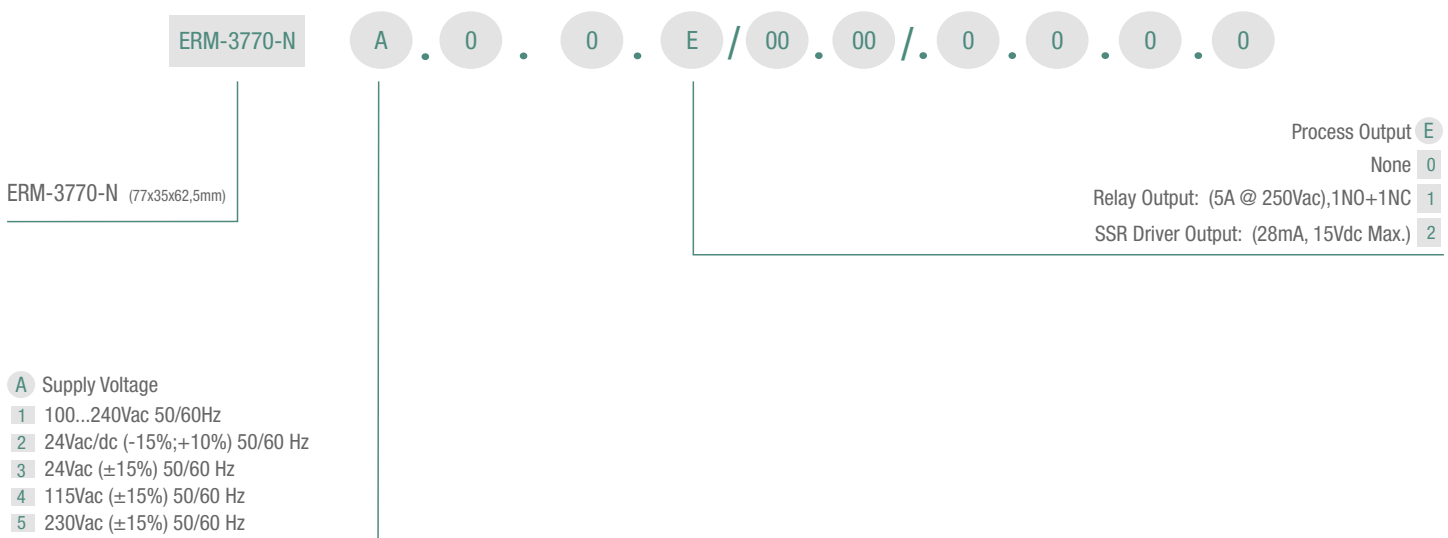
Specifications

- 4 Digits Display
- Adjustable decimal point
- Division rate
- NPN or PNP input type
- Alarm output
- Relay or SSR driver output (It must be determined in order.)
- Alarm Set value boundary
- Programming mode password protection



Technical Specification

- Accuracy:** 0.01% of scale
- Counting Inputs:** Ch-A, Ch-B (Switch, proximity, capacitive sensor or encoder can be connected.)
- Sensor Supply Voltage:** NPN or PNP selectable as
- Sensor Input Type:** INC, DEC, INC/DEC, INC/INC, UP/DOWN Max. 20KHZ.
- x1 / x2 /x4 Counting for phase shift (for incremental encoder); Maximum 10 KHZ



Order Code											EZM-4450	EZM-7750	EZM-4950	EZM-9950	EZM-4430	EZM-7730	EZM-4930	EZM-9930	EZM-4931	EZM-4435	EZM-7735	EZM-4935	EZM-9935	ERM-3770N	EZM-3735			
A	BC	D	E	/	FG	HI	/	U	V	W	Z																	
	00			/			/	0	0	0	0																	
A Supply Voltage																												
1	100...240Vac 50/60Hz											+	+	+	+	-	-	-	-	-	-	-	-	-	-	+	+	
2	24Vac/Vdc (-15%, +10%) 50/60Hz											+	+	+	+	+	+	+	+	+	+	+	+	+	+	+	+	
3	24Vac (-15%, -10%) 50/60Hz											-	-	-	-	+	+	+	+	+	+	+	+	+	+	+	+	
4	115Vac (-15%, -10%) 50/60Hz											-	-	-	-	+	+	+	+	+	+	+	+	+	+	+	+	
5	230Vac (-15%, -10%) 50/60Hz											-	-	-	-	+	+	+	+	+	+	+	+	+	+	+	+	
8	10 - 30 Vdc											-	-	-	-	-	-	-	-	-	-	-	-	-	-	-	+	
D Serial Communication																												
0	None															+	+	+	+	+	+	+	+	+	+	+	+	+
1	RS-232 ModBus ASCII											+	+	+	+	-	-	-	-	+	-	-	-	-	-	-	-	
2	RS-485 ModBus ASCII											+	+	+	+	-	-	-	-	-	-	-	-	-	-	-	-	
E Process Output-1																												
0	None											+	+	+	+					+						+		
1	Relay Output											-	-	-	-	+	+	+	+	-	+	+	+	+	+	+	+	
FG Modules Output-1																												
00	None											+	+	+	+	+	+	+	+	+	+	+	+	+	+	+	+	
01	Relay Output											+	+	+	+	-	-	-	-	+	-	-	-	-	-	-	-	
02	SSR Driver Output (max. 20mA@12Vdc)											+	+	+	+	-	-	-	-	+	-	-	-	-	-	-	-	
03	Digital (Transistor) Output (max. 40mA@18Vdc)											+	+	+	+	-	-	-	-	-	-	-	-	-	-	-	-	
HI Modules Output-2																												
00	None											+	+	+	+	+	+	+	+	+	+	+	+	+	+	+	+	
01	Relay Output											+	+	+	+	-	-	-	-	+	-	-	-	-	-	-	-	
02	SSR Driver (max. 20mA@12Vdc)											+	+	+	+	-	-	-	-	+	-	-	-	-	-	-	-	
03	Digital (Transistor) Output (max. 40mA@18Vdc)											+	+	+	+	-	-	-	-	-	-	-	-	-	-	-	-	
Specifications																												
Counter																												
Total Counter												+	+	+	+	-	-	-	-	-	-	-	-	-	-	-	-	
Batch Counter												+	+	+	+	-	-	-	-	-	-	-	-	-	-	-	-	
Timer												+	+	+	+	-	-	-	-	-	+	+	+	+	+	-	+	
Chronometer												+	+	+	+	-	-	-	-	-	-	-	-	-	-	-	-	
Frequencymeter												+	+	+	+	-	-	-	-	-	-	-	-	-	-	-	-	
Tachometer												+	+	+	+	-	-	-	-	-	-	-	-	-	-	+	-	
Working with automatic and manual reset												+	+	+	+	+	+	+	+	+	+	+	+	+	+	-	-	
Smart Output module system												+	+	+	+	-	-	-	-	-	-	-	-	-	-	-	-	
Ch-A, Ch-B Encoder inputs												+	+	+	+	+	+	+	+	+	-	-	-	-	-	-	-	
Multiplication coefficient and decimal point position												+	+	+	+	+	+	+	+	+	-	-	-	-	-	+	+	
Process display												6 digits	6 digits	6 digits	6 digits	6 digits	6 digits	6 digits	6 digits	6 digits	6 digits	6 digits	6 digits	6 digits	6 digits	4 digits	4 digits	
SET display												6 digits	6 digits	6 digits	6 digits	6 digits	6 digits	6 digits	6 digits	6 digits	6 digits	6 digits	6 digits	6 digits	6 digits	-	-	
Start input												-	-	-	-	-	-	-	-	-	+	+	+	+	+	-	+	
Reset and Pause input												+	+	+	+	+	+	+	+	+	+	+	+	+	+	-	-	
Supply voltage for switch and proximity sensors												+	+	+	+	+	+	+	+	+	+	+	+	+	+	+	-	
Operation with 2 Set values												+	+	+	+	-	-	-	-	+	-	-	-	-	-	-	-	
Password protection for programming section												+	+	+	+	+	+	+	+	+	+	+	+	+	+	+	+	
Dimension																												
77x35mm DIN												-	-	-	-	-	-	-	-	-	-	-	-	-	-	+	+	
48x48mm DIN 1/16												+	-	-	-	+	-	-	-	-	+	-	-	-	-	-	-	
72x72mm DIN												-	+	-	-	-	+	-	-	-	-	+	-	-	-	-	-	
96x48mm DIN 1/8												-	-	+	-	-	-	+	-	+	-	-	+	-	-	-	-	
96x96mm DIN 1/4												-	-	-	+	-	-	-	+	-	-	-	-	+	-	-	-	



🏠: Bursa Organize Sanayi Bölgesi, (Fethiye OSB Mah.)
Ali Osman Sönmez Bulvarı, 2. Sokak, No:3 16215 Nilüfer - BURSA - TÜRKİYE
☎:+90 224 261 19 00 - 📠:+90 224 261 19 12
🌐:www.emkoelektronik.com.tr