

# A1016069

## TOP-KNOBS 16

Suitable for rotary potentiometer with round shaft ends according to DIN 41591. Lateral screw fixing by hex-socket set screw (1.5 mm) and cup point.  
 Max. tightening torque: 40 Ncm.

### Supply

1 TOP-KNOB



### TECHNICAL DATA

Material	PA 6	Diameter	16 mm
Colour	nero	Height	16 mm
Standards	RoHS compliant, REACH compliant	Bore hole	6 mm

Please take the dimensions from current parts. These are subject to material- and manufacturing-specific tolerances.

### PURCHASING DATA

Weight/1 part	4 g
Customs tariff number (OKW product)	84879090
Country of manufacture	Germany

### CUSTOMISING OPTIONS

What else do you need to create your own personal product? We can supply our enclosures and tuning knobs fully modified to suit your electronic components and design requirements. Please advise for anything else we can do for you.

# A1016069

TOP-KNOBS 16

Customising options for A1016069



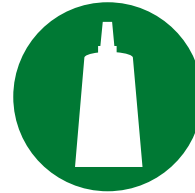
Machining



Printing



Laser marking



Installation / Assembly  
of accessories

# A1016069

## TOP-KNOBS 16

### SYSTEM COMPONENTS TO COMPLETE



**A1101003**  
 Pin  
 PA 6 (UL 94 HB)  
 coral



**A1101004**  
 Pin  
 PA 6 (UL 94 HB)  
 beach



**A1101005**  
 Pin  
 PA 6 (UL 94 HB)  
 lagoon



**A1101006**  
 Pin  
 PA 6 (UL 94 HB)  
 sky



**A1101007**  
 Pin  
 PA 6 (UL 94 HB)  
 mineral



**A1102004**  
 Globe  
 PA 6 (UL 94 HB)  
 beach



**A1102007**  
 Globe  
 PA 6 (UL 94 HB)  
 mineral



**A1103004**  
 Disk  
 PA 6 (UL 94 HB)  
 beach



**A1103007**  
 Disk  
 PA 6 (UL 94 HB)  
 mineral



**A1104003**  
 Wing  
 PA 6 (UL 94 HB)  
 coral



**A1105003**  
 Arrow  
 PA 6 (UL 94 HB)  
 coral



**A1105004**  
 Arrow  
 PA 6 (UL 94 HB)  
 beach



**A1105005**  
 Arrow  
 PA 6 (UL 94 HB)  
 lagoon

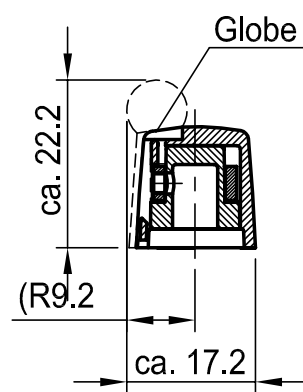
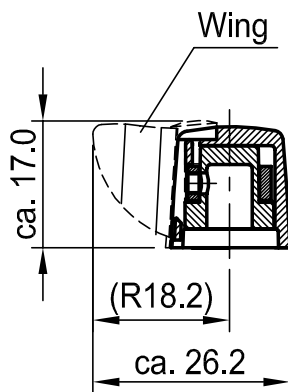
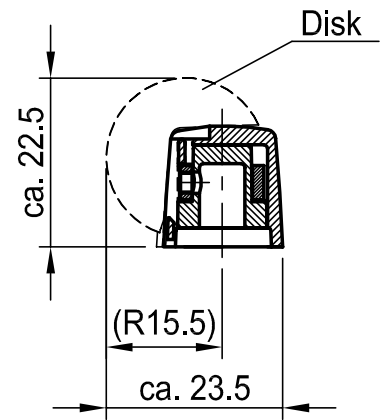
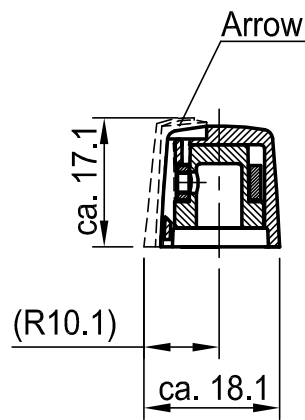
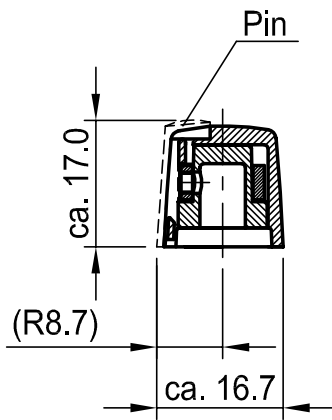
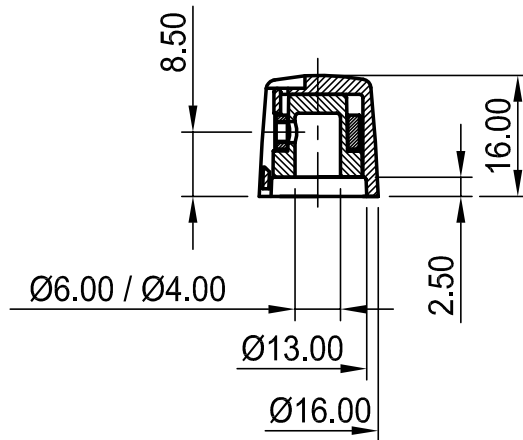


**A1105006**  
 Arrow  
 PA 6 (UL 94 HB)  
 sky



**A1105007**  
 Arrow  
 PA 6 (UL 94 HB)  
 mineral

Subject to technical modification without notice. © by OKW Gehäusesysteme, Buchen/Germany.



**Informationskopie**  
**Copy for Information**  
 will not be updated  
 wird nicht aktualisiert

Technische Änderungen vorbehalten. Irrtümer und Druckfehler begründen keinen Anspruch auf Schadenersatz.  
 Wichtige Einbaumaße bitte direkt mit dem aktuellen Produkt abstimmen.

Subject to technical modification without prior notice. Typographical and other errors do not justify any claim for damages. All dimensions should be verified using an actual moulded part.

Sous réserve de modifications techniques. Toute erreur ou faute d'impression ne justifie aucune demande d'indemnisation. Nous prions les clients de vérifier les dimensions des composants avec les boîtiers avant le montage.

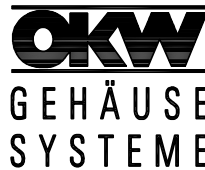
Bearb. am: 21.04.99

Ersteller: HASSELB

Freigabe:

Rev. Index: 3

Stand: 07.10.05



Material:

Farbe:

Zeichnungsart:

KUNDE

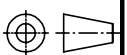
This document contains proprietary information of OKW Gehäusesysteme GmbH and is tendered subject to the conditions that the information be retained in confidence not be reproduced or copied and not be used or incorporated in any product.

**TOPKNOB**  
**Top-Knob Ø16**  
**A10160..**

Für dieses Dokument behalten wir uns alle Urheberrechte vor. Es darf auch auszugsweise weder vervielfältigt noch Dritten in irgendeiner Form zugänglich gemacht werden.

Toleranzen:  
 DIN 16901 T130

Zeichnungsart:  
 KUNDE



DIN 6 Teil 2

Maßstab:

1:1

Bearbeiter:  
 Hasselb

Dateiname:  
 00004177