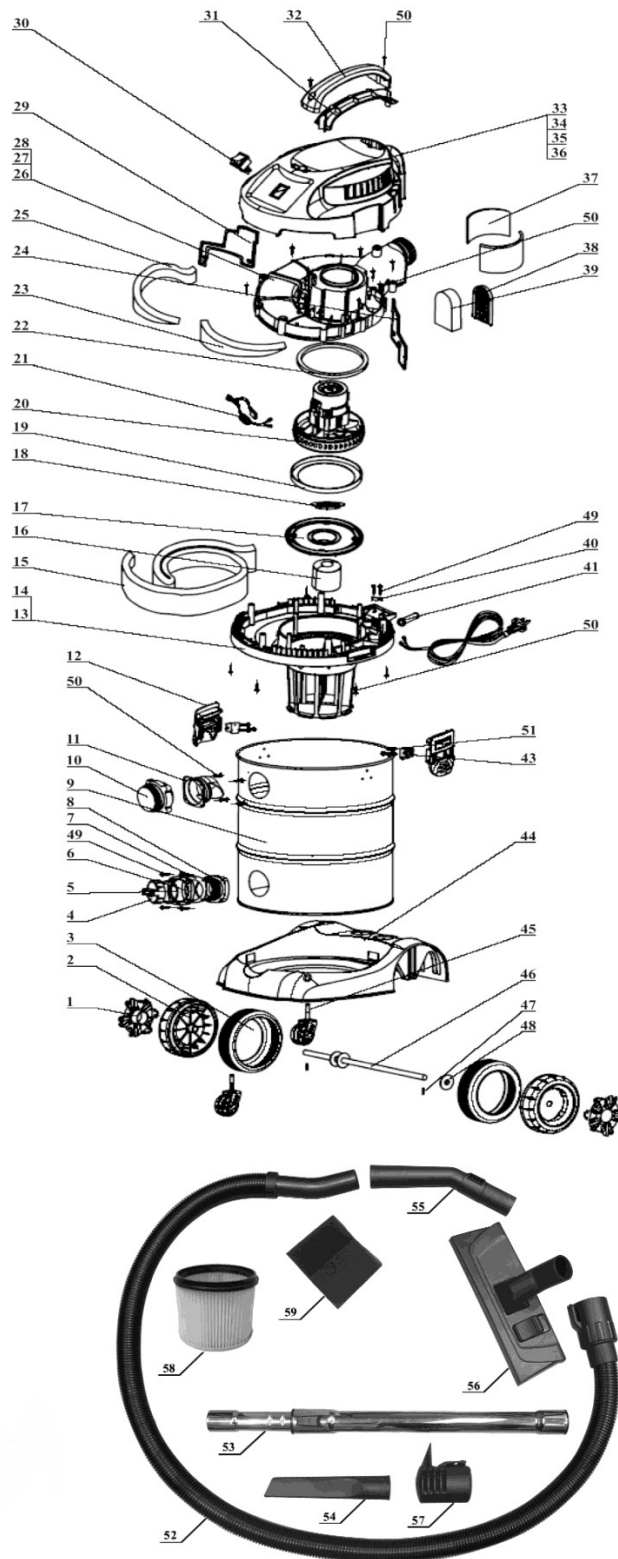




Parts Information:
Vacuum Cleaner Industrial 30ltr
1400W/230V Stainless Drum
Model No: PC300SD.V3



NOTE: It is our policy to continually improve products and as such we reserve the right to alter data, specifications and component parts without prior notice.

IMPORTANT: No liability is accepted for incorrect use of product.

WARRANTY: Guarantee is 12 months from purchase date, proof of which will be required for any claim.

Sealey Group, Kempson Way, Suffolk Business Park, Bury St Edmunds, Suffolk. IP32 7AR



01284 757500



01284 703534



sales@sealey.co.uk



www.sealey.co.uk



Parts Information:
**Vacuum Cleaner Industrial 30ltr
 1400W/230V Stainless Drum
 Model No: PC300SD.V3**

Item	Part No.	Description
1	PC300SD.V3-01	WHEEL COVER
2	PC300SD.V3-02	WHEEL, FIXED (149x11x41)
3	PC300SD.V3-02	WHEEL, FIXED (149x11x41)
4	PC300SD.V3-04	WATERSPOUT COVER
5	PC300SD.V3-05	SEAL RING
6	PC300SD.V3-06	WATERSPOUT
7	PC300SD.V3-07	DRAIN INLET
8	PC300SD.V3-08	WATERSPOUT SEAT
9	PC300SD.V3-09	TANK
10	PC300SD.V3-10	HOSE INLET
11	PC300SD.V3-11	HOSE INLET BASE
12	PC300SD.V3-12	BIN CLIP
13	PC300SD.V3-13	LOWER COVER
14	PC300SD.V3-14	FOAM RING
15	PC300.13	SILENCER FOAM
16	PC300SD.V3-16	FLOAT
17	PC300SD.V3-17	TRAY
18	PC300SD.V3-18	PLASTIC FENCE
19	PC300SD.V3-19	SEAL RING
20	PC300SD.V3-20	MOTOR
21	PC300SD.V3-21	CAPACITOR & INDUCTANCE 250/275V 40CM
22	PC300SD.V3-22	SEAL RING
23	PC300SD.V3-23	SILENCER FOAM(31CM)
24	PC300SD.V3-24	AIR BLOCK BOARD
25	PC300SD.V3-25	SILENCER FOAM(42CM)
26	PC300SD.V3-26	AIR OUTLET
27	PC300SD.V3-27	DAMPING BAR
28	PC300SD.V3-28	SEAL
29	PC300SD.V3-29	AIR BLOCK BOARD
30	PC300SD.V3-30	SWITCH
31	PC300SD.V3-31	LOWER HANDLE

Item	Part No.	Description
32	PC300SD.V3-32	UPPER HANDLE
33	PC300SD.V3-33	UPPER COVER
34	PC300SD.V3-34	SILENCER FOAM
35	PC300SD.V3-35	LABEL
36	PC300SD.V3-36	NAMEPLATE
37	PC300SD.V3-37	SILENCER FOAM
38	PC300SD.V3-38	FILTER COVER
39	PC300SD.V3-39	FOAM FILTER
40	PC300SD.V3-40	CORD CLAMP
41	PC300SD.V3-41	CABLE SLEEVE
43	PC300SD.V3-43	HOOK BASE
44	PC300SD.V3-44	TANK BASE
45	PC300SD.V3-45	WHEEL, CASTOR (50x5x20x61)
46	PC300SD.V3-46	WHEEL SHAFT
47	PC300SD.V3-47	R-CLIP
48	PC300SD.V3-48	WASHER
49	PC300SD.V3-49	SCREW (ST2.9 x 12)
50	PC300SD.V3-50	RD HEAD S/T SCREW M3.8 X 14
51	PC300SD.V3-51	RD HEAD S/T SCREW M3.5 X 8
52	PC300SD.V3-52	HOSE 1.5MM
53	PC300SD.V3-53	TELESCOPIC STAINLESS TUBE
54	PC300SD.V3-54	CREVICE TOOL
55	PC310.A05	ELBOW TOOL (AIR FLOW REGULATOR)
56	PC300SD.V3-56	COMBO BRUSH
57	PC300SD.V3-57	NOISE DIFFUSER MUFFLER
58	PC200CFL	LOCKING CARTRIDGE FILTER
59	PC200FF10	FOAM FILTER for PC200, PC200SD & PC300SD
--	PC200.14	FOAM FILTER (SINGLE) (NOT SHOWN)
--	PC300PB5	DUST COLLECTION BAG (NOT SHOWN)
--	PC200CFF	CARTRIDGE FILTER (NOT SHOWN)

NOTE: It is our policy to continually improve products and as such we reserve the right to alter data, specifications and component parts without prior notice.

IMPORTANT: No liability is accepted for incorrect use of product.

WARRANTY: Guarantee is 12 months from purchase date, proof of which will be required for any claim.

Sealey Group, Kempson Way, Suffolk Business Park, Bury St Edmunds, Suffolk. IP32 7AR



01284 757500



01284 703534



sales@sealey.co.uk



www.sealey.co.uk