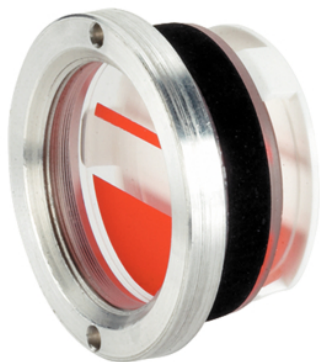


## Oil-Sight Glasses

22860.0122



### Product Description

Oil-sight glasses can be used for level control in tanks without excess pressure.

#### Material

##### Seal ring

- Resistant to oil and gasoline

##### Reflector

- Plastic, white

##### Ring nut

- Aluminium Al

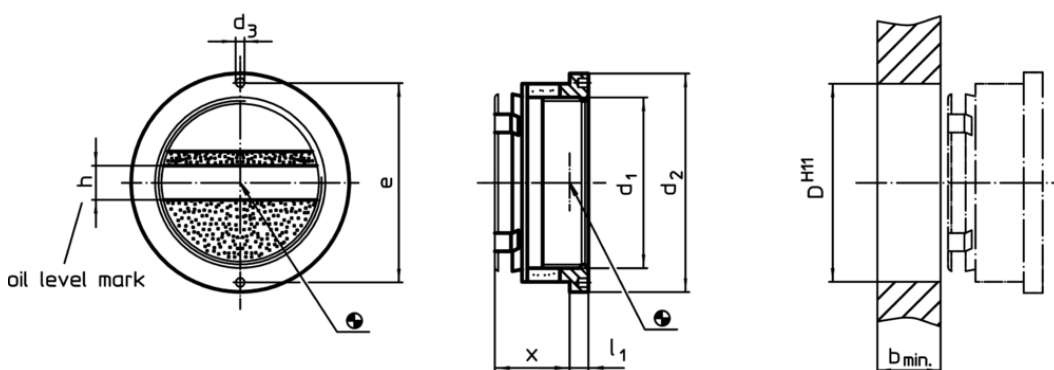
##### Oil-sight glass

- Plexiglass (PMMA) clear

#### Assembly

Can be fitted without thread in H11 borehole. Sealing by simply tightening the ring nut.


### Drawing



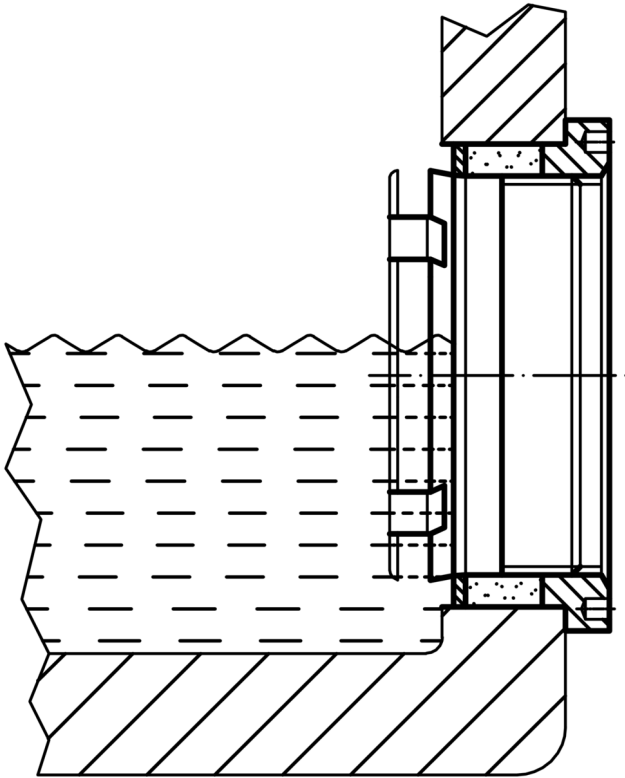
### Order information

| Size (sight opening)<br>d <sub>1</sub> | Dimensions     |                |                |                |           |   |    | Location hole<br>D<br>H11<br>[mm] | Temperature |      | Weight<br>[g] | Art. No.   |
|--|----------------|----------------|----------------|----------------|-----------|---|----|-----------------------------------|-------------|------|---------------|------------|
|  | d <sub>2</sub> | d <sub>3</sub> | x<br>~<br>[mm] | l <sub>1</sub> | b<br>min. | h | e  |                                   | min.        | max. |               |            |
| with oil level mark                    |                |                |                |                |           |   |    |                                   |             |      |               |            |
| 22                                     | 35             | 3              | 15             | 4.5            | 10        | 6 | 30 | 28                                | -20         | 70   | 18            | 22860.0122 |

### Accessories

| Size (sight opening)<br>d <sub>1</sub>  | Dimensions      |     | Weight<br>[g] | Art. No.   |
|---|-----------------|-----|---------------|------------|
|   | d<br>h9<br>[mm] | e   |               |            |
| Assembly Tool   |                 |     |               |            |
|  | 22              | 2.8 | 30.0          | 22860.0822 |

## Application example



## Compliance

### RoHS compliant

Contains lead - compliant according to exceptions 6a / 6b / 6c

### Contains SVHC substances >0,1% w/w

Contains lead - SVHC list [REACH] as of 10.06.2022

### Contains Proposition 65 substances



Lead can cause cancer and reproductive harm from exposure  
<https://www.P65Warnings.ca.gov/>

### Free from Conflict Minerals

This product does not contain any substances designated as "conflict minerals" such as tantalum, tin, gold or tungsten from the Democratic Republic of Congo or adjacent countries.