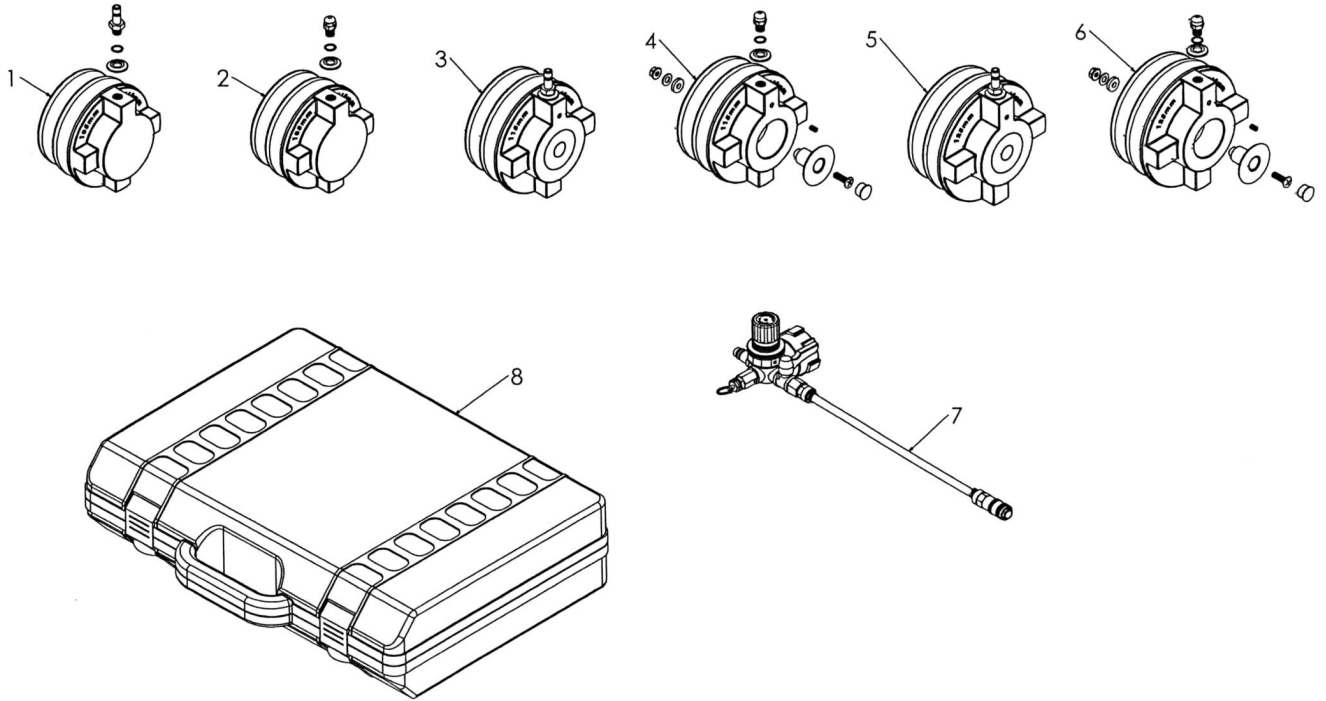




Parts Information:  
**Turbo System Leakage Tester - Commercial**  
**Model No: CV2030**



| Item | Part No.  | Description                           |
|------|-----------|---------------------------------------|
| 1    | CV2030.01 | 105/110mm ADAPTOR 'WITH AIR COUPLING' |
| 2    | CV2030.02 | 105/110mm ADAPTOR 'BLANK END'         |
| 3    | CV2030.03 | 115/120mm ADAPTOR 'WITH AIR COUPLING' |
| 4    | CV2030.04 | 115/120mm ADAPTOR 'BLANK END'         |

| Item | Part No.  | Description                           |
|------|-----------|---------------------------------------|
| 5    | CV2030.05 | 125/130mm ADAPTOR 'WITH AIR COUPLING' |
| 6    | CV2030.06 | 125/130mm ADAPTOR 'BLANK END'         |
| 7    | CV2030.07 | PRESSURE PUMP ASS'Y                   |
| 8    | CV2030.08 | BLOW MOULD CASE (BLACK)               |

**NOTE:** It is our policy to continually improve products and as such we reserve the right to alter data, specifications and component parts without prior notice.

**IMPORTANT:** No liability is accepted for incorrect use of product.

**WARRANTY:** Guarantee is 12 months from purchase date, proof of which will be required for any claim.

**Sealey Group**, Kempson Way, Suffolk Business Park, Bury St Edmunds, Suffolk. IP32 7AR



01284 757500



01284 703534



sales@sealey.co.uk



www.sealey.co.uk