

Emergency Stop Switch 2NC

multicomp PRO

**RoHS
Compliant**



Specifications

Mechanical Life	: >0.25 million operations
Electrical Life	: >0.1 million operations
Rated Insulation Voltage	: 600V
Rated Thermal Current	: 10A
Insulation Resistance	: 100MΩ
Dielectric Strength	: 2,500V AC, 1 minute
Panel Thickness	: 0.8mm to 6mm
Degree of protection	: IP65
Storage Temperature	: -45°C to +85°C
Operating Temperature	: -25°C to +55°C

Contact Ratings

Rated Insulation Voltage		600V			
Rated Thermal Current		10A			
Operating Voltage		24V	120V	240V	380V
AC	Resistive Load (AC-12)	10A	10A	6A	2A
50/60 Hz	Inductive Load (AC-15)	10A	6A	3A	1.9A
DC	Resistive Load (DC-12)	8A	2.2A	1.1A	-
	Inductive Load (DC-13)	4A	1.1A	0.55A	-

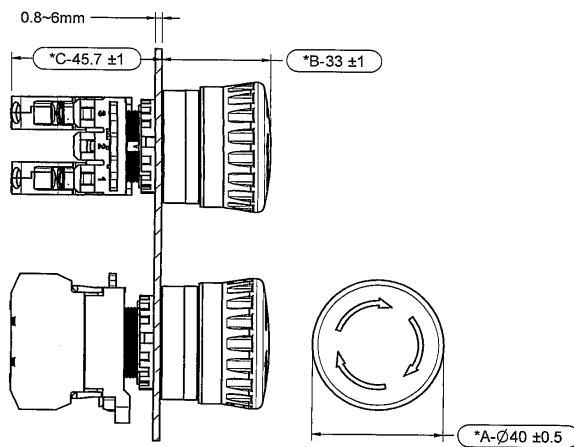
Contact Block Mounting Position

Contact		Operator Position		
		Free	Push	-
1	NC	●		
2				
3	NC	●		

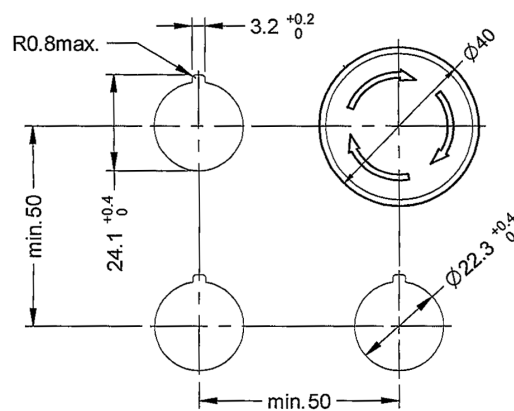
●=On (closed contact)
Blank=Off (open contact)

Diagram

Screw Type Emergency Stop Switches



Hole Dia



Dimensions : Millimetres

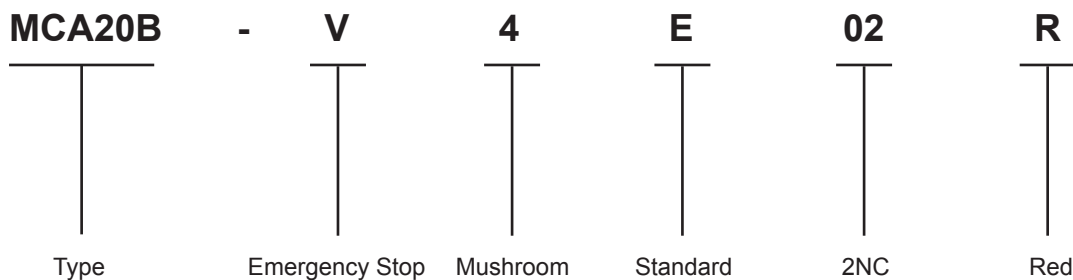
Newark.com/multicomp-pro
Farnell.com/multicomp-pro
Element14.com/multicomp-pro

multicomp PRO

Emergency Stop Switch 2NC

multicomp PRO

Part Number Explanation



Part Number Table

Description	Part Number
Emergency Stop Switches, 40mm, 2NC, Red, Without Lamp	MCA20B-V4E02R

Important Notice : This data sheet and its contents (the "Information") belong to the members of the AVNET group of companies (the "Group") or are licensed to it. No licence is granted for the use of it other than for information purposes in connection with the products to which it relates. No licence of any intellectual property rights is granted. The Information is subject to change without notice and replaces all data sheets previously supplied. The Information supplied is believed to be accurate but the Group assumes no responsibility for its accuracy or completeness, any error in or omission from it or for any use made of it. Users of this data sheet should check for themselves the Information and the suitability of the products for their purpose and not make any assumptions based on information included or omitted. Liability for loss or damage resulting from any reliance on the Information or use of it (including liability resulting from negligence or where the Group was aware of the possibility of such loss or damage arising) is excluded. This will not operate to limit or restrict the Group's liability for death or personal injury resulting from its negligence. Multicomp Pro is the registered trademark of Premier Farnell Limited 2019.

Newark.com/multicomp-pro
Farnell.com/multicomp-pro
Element14.com/multicomp-pro

multicomp PRO