



Product Change Notification

Date Issued :	March 22, 2022	PCN Number :	511664
Reason for Change :	Change Supplier		
Description of Change :	This notification is to inform you that a supplier to Molex Lincoln Nebraska, plant 3104, is changing it's mill source for raw material used for the impacted parts listed. This change is being completed so that the supplier can keep up with current and future demand for material. No changes will be made to product as part of this change.		
Reason for Short Notice :	Capacity Increase		
Assessment of Change :	First Article Inspection		
Planned Implementation Date :	May 13, 2022		
Sample Availability Date:	April 29, 2022		
Internal Molex Qualification Date :	April 29, 2022		
Last date to request Samples by Customer :	May 09, 2022		
Traceability Code Markings / Date :	Lot information on label		

Before Picture

■ Mini-Fit Sr Terminals

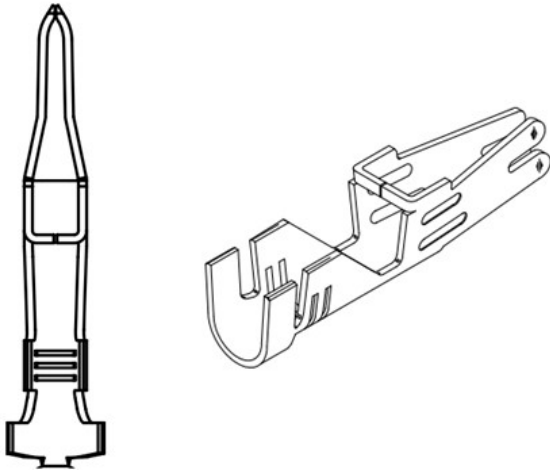


Photo is used as representation of product only.

After Picture

Overview

- Molex supplier is changing mill source for raw material
 - New mill source is a Molex approved source
 - Change only for Molex Lincoln Plant 3104
 - Mill source change will not result in new supplier or new supplier location. Molex Lincoln will still receive raw material from same supplier and same supplier location.

- There is NO impact to Fit, Form or Function

- Samples available upon request after date shown above

- Part Numbers Impacted
 - See attached list

RELEASED

You may address inquiries regarding this PCN by clicking on the below link
mailto:pcn_coordinator@molex.com?subject=PCN_Notification:511664
or contact your Local Sales Engineer.

Note: While responding, please retain " PCN Notification : **PCN Notification: 511664** " in the e-mail Subject line for faster response.

[Molex, LLC](#)
2222 Wellington Court
Lisle, IL 60532
TEL (800) 786-6539
www.molex.com