



**Ultra-compact, self powered
4 digit totalizing counter... PCB
mount or in panel with provided
bezel**

Ultraminiature totalizing counter module for printed circuit board mounting. 4 digit, 6mm high, LCD display. Powered by an internal button-cell (provided/replaceable), typically supporting memory and operation for 3 to 4 years.

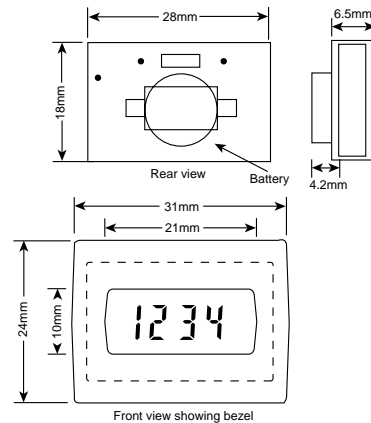
An integral switch-bounce filter allows error free counting from the mechanical contacts of switches or relays.

PCB solder-pins are provided for electrical connections. An attractive panel mount installation can be made using the provided bezel.

- Internal 1.5v button cell
- Battery life of 3 to 4 years
- 4 digit, 6mm high LCD display
- Integral switch-debounce circuitry
- Panel mounting bezel provided

An ideal choice where a very low cost, self-powered totalizing counter is required. Typical applications include dispensing, and operation or event counting.

Dimensions:



SPECIFICATIONS

Supply Voltage: Replaceable 1.5v button cell type 386 or SR43 (provided)

Expected battery life: 3 - 4 years at 20°C

Display: 4 digit LCD, 6mm characters

Count Range: 9999 display rollover to 0

Count Input: 12Hz maximum, contact closure. Operates on contact opening

Reset: to zero on insertion of battery. Remote reset can be accommodated

Operating Temperature: 0°C to 50°C

Storage Temperature: -10°C to +60°C

Material: Clear polycarbonate, black ABS bezel

Environmental Protection: IP40/DIN40050

Weight: 7.5 grams

Lead Length: 24cm

Model Number	Description
0799984-322	Totalizing Counter, with button battery