

## Features

- Rated currents up to 6A
- General purpose filtering performance
- Quick connect (6.3\*0.8mm)
- Customized

## RS PRO EMI Filters

RS Stock No.: 2780340



RS PRO is the own brand of RS. The RS PRO Seal of Approval is your assurance of professional quality, a guarantee that every part is rigorously tested, inspected, and audited against demanding standards. Making RS PRO the Smart Choice for our customers.

## Product Description

*High performance IEC Inlet EMI filter Applications:*

- *Specially designed for small household equipment*
- *Power supply equipment*
- *Medical equipment*
- *Test and measurement equipment*
- *Small and medium-sized machines*

## General Specifications

*IEC inlet socket filter fast-on connection (6.3\*0.8mm)*

*The compact size can be applied to various situations.*

*There are a variety of parts and combinations to meet different customer's EMC tests.*

*Customized products according to customer's requirements.*

## Electrical Specifications

*Size(Length\*Width\*Height) 62\*28.0\*32.2mm*

*Weight 0.05kgs*

*Mounting Hole Spacing 36.0mm*

## Mechanical Specifications

*Rated Voltage Max. 115/250VAC*

<i>Rated currents</i>	6A
<i>Operating frequency</i>	50/60Hz
<i>Hipot Rating</i>	Line to Ground 2250vdc Line to Line 500Vdc
<i>Temperature range</i>	-25° C~+85° C
<i>Leakage current</i>	0.3mA/0.5mA
<i>Inductance</i>	2x0.8mH
<i>Capacitance</i>	Cx:0.1uF Cy:2200pF
<i>Resistance</i>	R:1M ohm

## Protection Category

*IP Rating IP40*

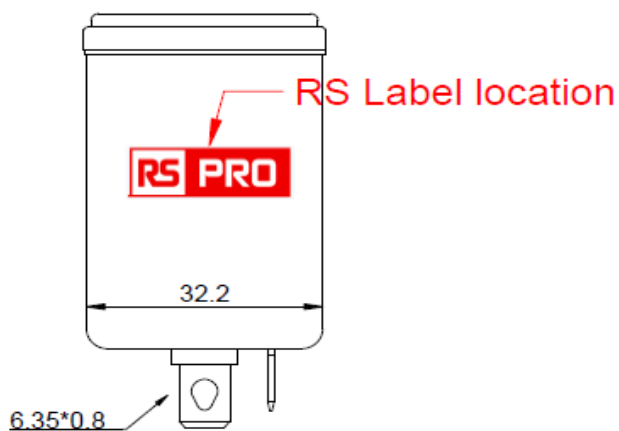
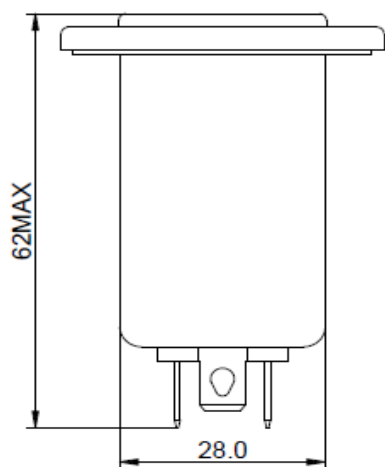
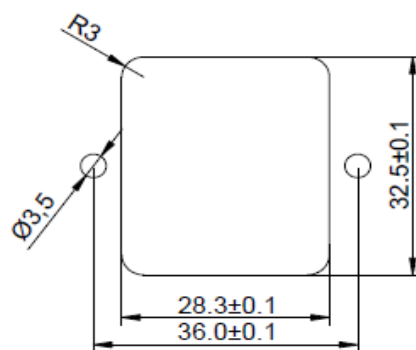
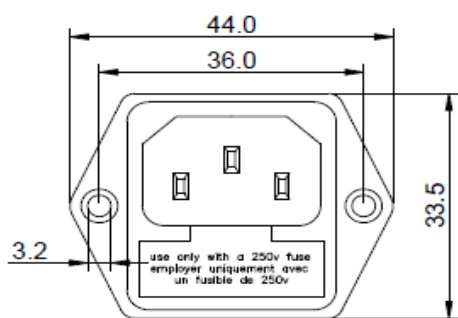
## Approvals

*Declarations* UL TUV CQC CE UKCA REACH ROHS

*Safety Standard* UL/EN 60939, UL1283; CSA C22.2 No.8;  
GB/T 15287; GB/T 15288-1994;

## Physical Dimensions

### SUGGESTED PANEL CUTOUT (MOUNTING FROM FRONT)



## Electrical Schematic

