



Features:

- 1W Small Compact Size - PCB Mount
- Single Output - Regulated
- Input: 90 - 265VAC , 47 - 63Hz (100 - 370VDC)
- Output Range: 3.3V - 48VDC
- Low Standby Power <0.3W
- Low Ripple & Noise
- Encapsulated Design
- Fully Isolated Pri - Sec >4200Vrms
- Insulation: Class II
- Materials: UL94-V0
- Safety: EN61558, EN60950, CE

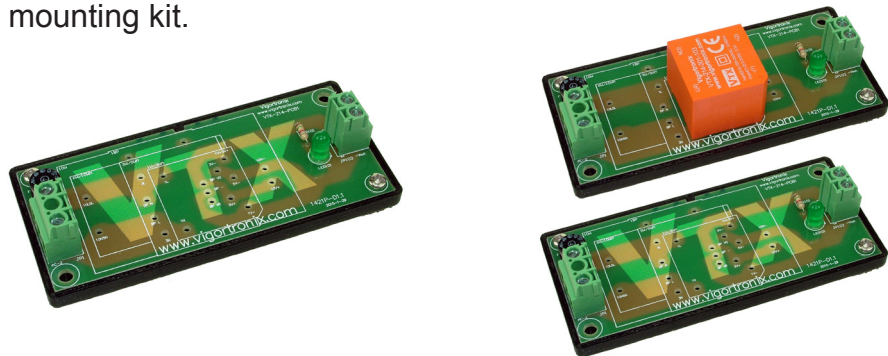
Part Number	Power Rating Watts	Output Voltage (VDC)	Output Current (mA)	Ambient Temp. (°C)	Efficiency Typical	Input Range
VTX-214-001-103	1	3.3	300	70	>60%	90 - 265VAC (100 - 370VDC)
VTX-214-001-105	1	5	200			
VTX-214-001-106	1	6	167			
VTX-214-001-107	1	7.5	133			
VTX-214-001-108	1	8	125			
VTX-214-001-109	1	9	111			
VTX-214-001-110	1	10	100			
VTX-214-001-112	1	12	85			
VTX-214-001-115	1	15	67			
VTX-214-001-118	1	18	55			
VTX-214-001-124	1	24	42			
VTX-214-001-148	1	48	21			

Note: Other output voltages are available upon request.

Optional Universal PCB mounting kit.

Part Number:

VTX-214-PCB1



Please contact Vigortronix for any enquiries. Products can be altered to suit custom requirements.

The information contained in this document is subject to change without notice.

Vigortronix, 16 De Havilland Way, Witney, Oxfordshire, OX29 0YG, UK

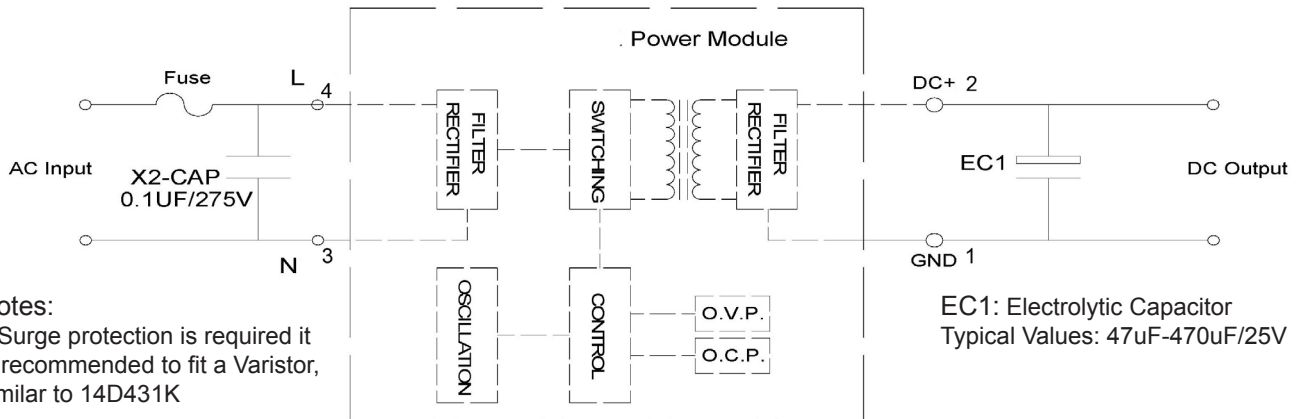
Tel. +44 (0)1993 777570 Fax. +44 (0)1993 777580 Web. www.vigortronix.com E-mail: sales@vigortronix.com

Vigortronix is a trading name of Vigortronix (UK) Limited

Model: 1 Watt		Specification
INPUT Pin 4: L Pin 3: N	Voltage Range	90 ~ 264VAC / 47 ~ 63Hz (120VDC ~ 370VDC)
	Current	10mA Max (100VAC) / 7mA Max (240VAC)
	Inrush Current	15A Max (100VAC) / 25A Max (240VAC)
	No Load power	0.3W Max
	Leakage Current	0.1 mA Max
OUTPUT Pin 2: DC+ Pin 1: GND	Voltage Accuracy	<5%
	Ripple	<50mV Max (Vp~p)
	Noise	<5% Vout Max (Vp~p)
	Efficiency	>60%
	Minimum Load	0
Protection	Over Power	Hiccup mode
	Over Voltage	Hiccup mode
	Short Circuit Protection	Hiccup mode
Dielectric Isolation	Input to Output	3600Vrms, 5mA 1 Min (4200VAC 2sec)
Environment	Operating Temperature	-25°C ~ +70°C (+80°C, 50% Load)
	Storage Temperature	-40°C ~ +105°C
	MTBF	>300,000Hrs @ 25°C (MIL-HDBK-217F)
	Weight	20g
Safety	Agency Approval	Compliance with EN60950-1, EN61558-1, EN61558-2-6, EN61558-2-17
EMC	EMI	Compliance with EN55022 Class B
	EMS	Compliance with EN55024, EN55014-1, EN55014-2, EN61000-3-2 Class A, EN61000-3-3

Please contact Vigortronix for any enquiries. Products can be altered to suit custom requirements.
 The information contained in this document is subject to change without notice.

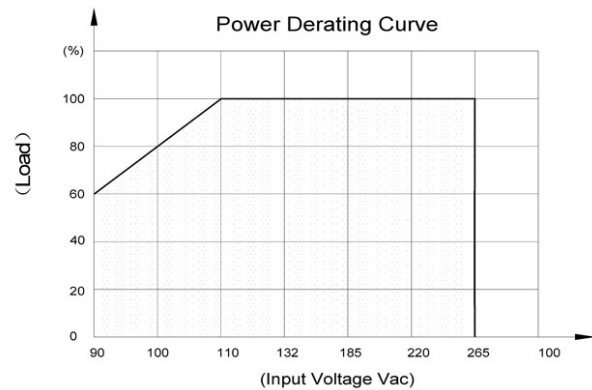
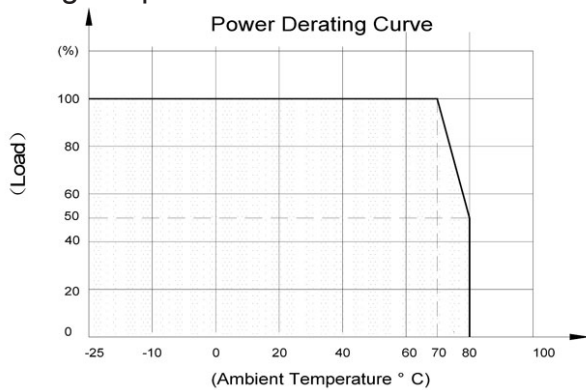
Recommended Application Schematic for EMC



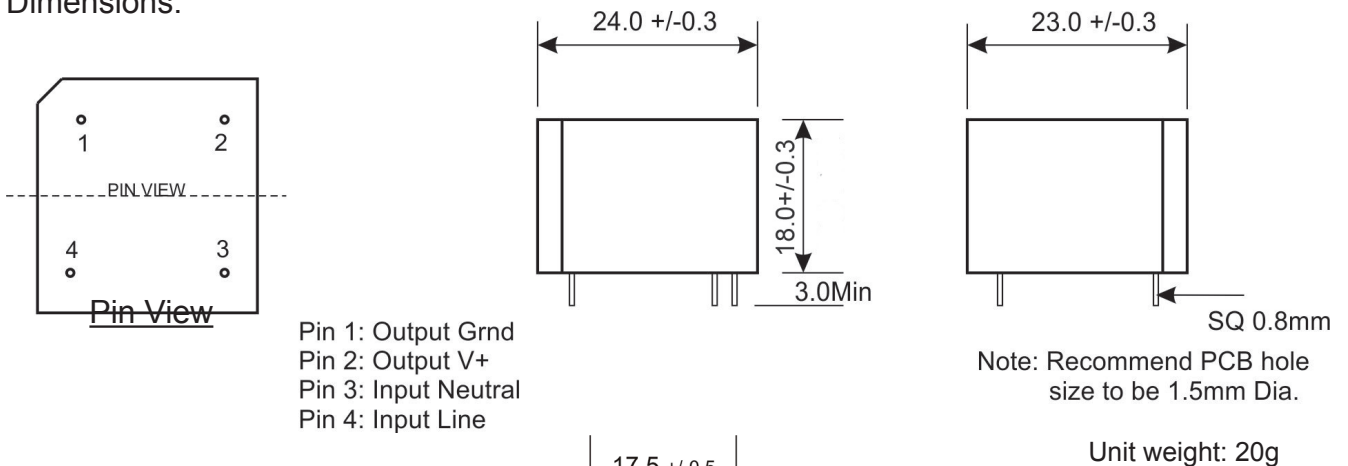
Notes:
If Surge protection is required it is recommended to fit a Varistor, similar to 14D431K

EC1: Electrolytic Capacitor
Typical Values: 47uF-470uF/25V

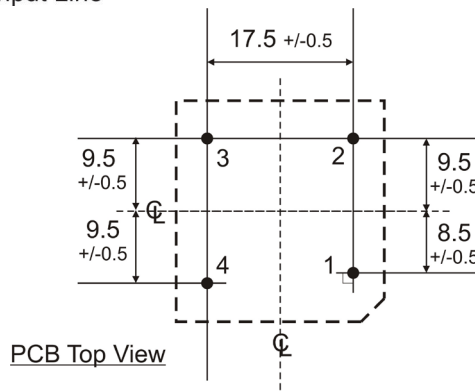
Derating Graph:



Dimensions:



PCB Layout



Recommended PCB
Hole size: 1.5mm Dia.

Please contact Vigortronix for any enquiries. Products can be altered to suit custom requirements.
The information contained in this document is subject to change without notice.