

# Emergency Stop Switch Actuator

## SEAL01

Part Number



- 360° visible switch position indicator
- Bright LED illumination in blocking protection flanges
- Unlocking by turning left or right

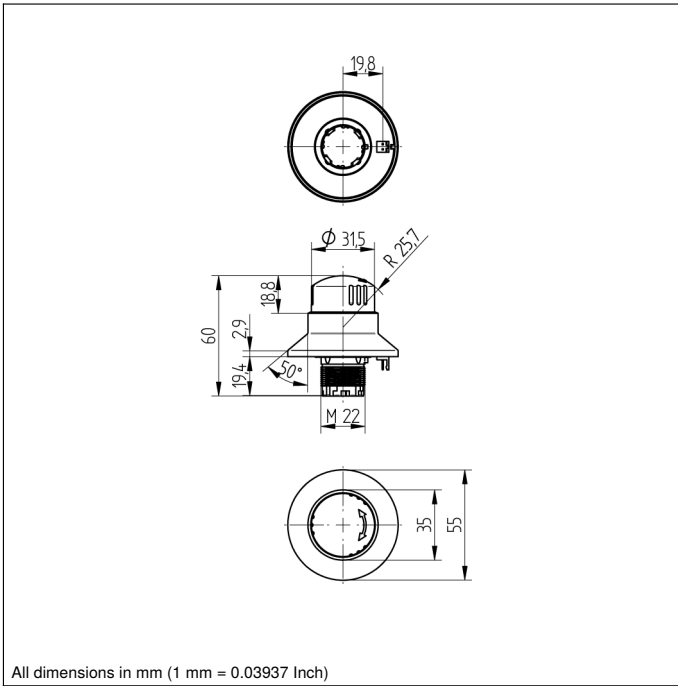
### Technical Data

Electrical Data	
Temperature Range	-30...55 °C
Storage temperature	-50...85 °C
Mechanical Data	
Housing Material	Plastic
Service Life	50000 Activations
Degree of Protection	IP65
Installation Type	Mounting
Installation opening	22,3 mm
Unlocking	turning
Function	
Switching position indicator	yes
Anti-Lock Collar	yes
Illumination	yes
Applicable contact block	SC20J01S SC21J01S

Contact block must be ordered separately (not included in delivery)

### Complementary Products

Installation Tool Z0046  
Software



All dimensions in mm (1 mm = 0.03937 Inch)

