

USB & Type Wall Charger



Features

- Compact, efficient and flexible
- Over current, over voltage, over power, short circuit & automatic thermal protection
- Quick charging

Input

Voltage	100 ... 240 VAC
Frequency	50 / 60 Hz
No Load Power Consumption	< 100 mW
Input Full Load Current @ 100 VAC	400 mA

Output

Rating for PD	5 V / 3 A, 9 V / 2 A
Quick Charge	It is quick charge PD3.0

Overall Performance

Total Output Power	18 W max.
Efficiency	COMPLIED with ErP2; Level VI

Protection

- Over current protection
- Over voltage protection
- Over power protection
- Short circuit protection
- L.P.S (Limits for Power Source)
- Automatic thermal protection

Hi-Pot

Input to Output	3000 VAC 5 mA 50 Hz
Input to Case	3000 VAC 5 mA 50 Hz
Output to Case	500V AC 5 mA 50 Hz
Isolation Resistance	100 MOhms I/P-O/P I/P/ Enclosure
Appliance	Class II

Environmental

Operating Temperature	0 ... 25°C
Storage Temperature	-20 ... 60°C
Operating Humidity	20%-85% RH. non-condensing
Storage Humidity	10%-90% RH. non-condensing

Safety Standards

Safety Standards	EN 62368-1:2014+ A11:2017
EMC Standards	EN 61204-3:2000

Reliability

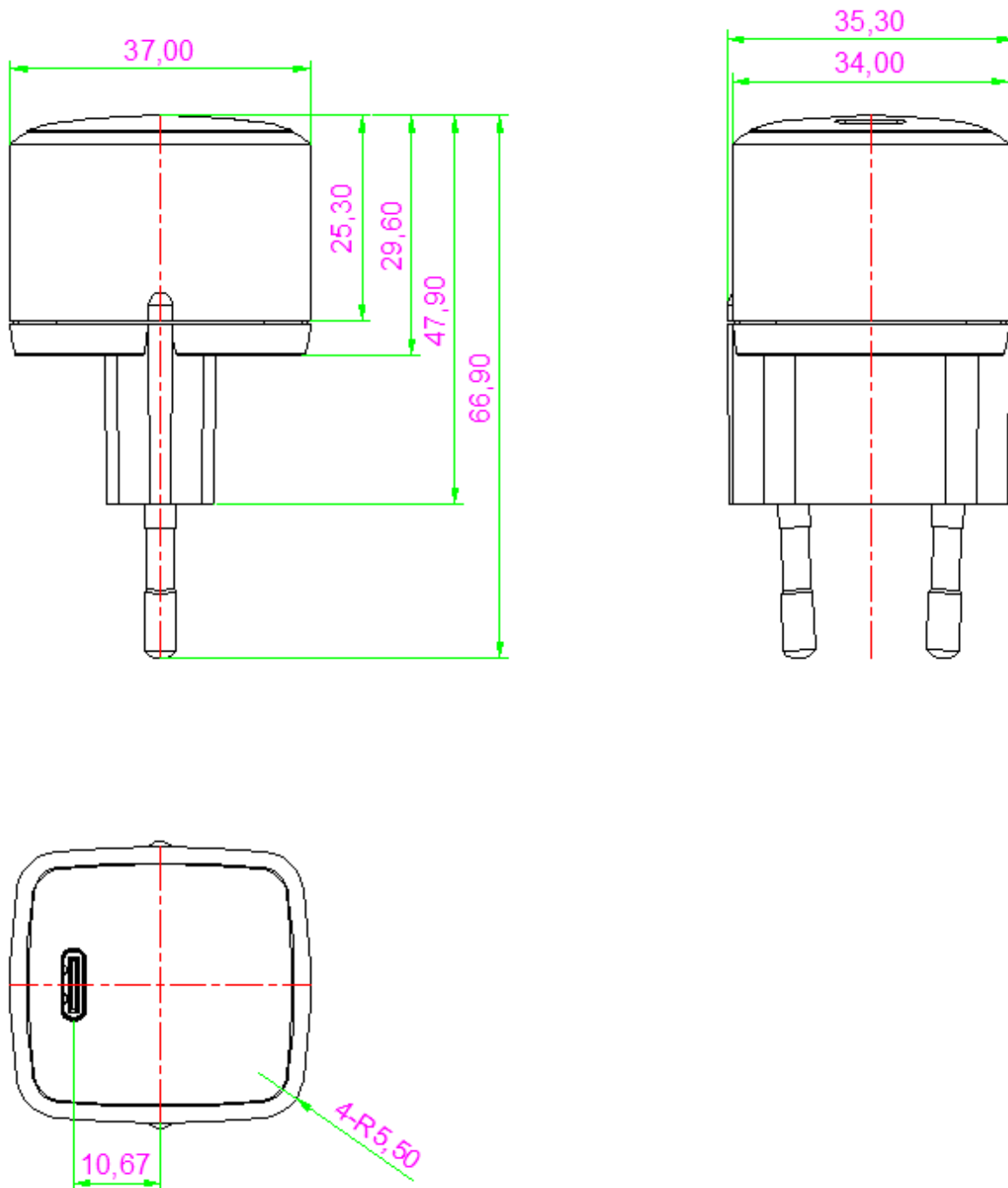
MTBF	30000 hours min
Burn-in	4 Hours 25°C, Full Load, 220 VAC, 50 Hz

Mechanical Specification

Dimensions	29.6 mm(L)*37.0 mm(W)* 34.0 mm(H) (Excluded Plug) 66.9 mm(L)*37.0 mm(W)* 35.3 mm(H) (Included Plug)
Input Plug	Direct Plug-In EU Type
Output Connector	Type C USB port

USB A Type Wall Charger

Drawing



Art Nr.
RND 320-00132