

Datasheet - AZM 161-B1

Solenoid interlock / AZM 161 / Actuator



(Minor differences between the printed image and the original product may exist!)

Ordering details

Product type description	AZM 161-B1
Article number	1145117
EAN code	4030661283920

Global Properties

Product name	Gerader Betätiger AZM 161-B1
Weight	25 g

Mechanical data

Design of actuators	straight
Minimum actuating radius	150 mm

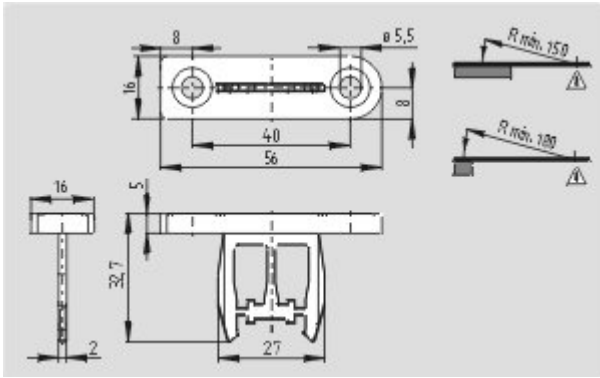
notice

The axis of the hinge should be 5 mm above the top edge of the safety switch and in the same plane
On hinged guards, minimum actuating radius at 90° to the plane of the actuator 180 mm
minimum actuating radius on hinged guards in line with the plane of the actuator 150 mm

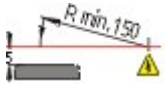
Documents

Mounting and wiring instructions (de, en, fr, it, es, jp) 203 kB, 08.07.2008
http://127.0.0.1/Bilddata/Azm/Pdf/Azm161/montage/m_zm1p02.pdf

Images



Dimensional drawing (miscellaneous)



Actuating radius



Actuating radius
