

Panel Mount Solid State Relay Three Phase AC Output

multicomp PRO

**RoHS
Compliant**



Description

Three-phase SSR with internal MCU control circuit, provides over-temperature detection, SCR failure detection, load disconnection detection and phase-lack detection function with LED indication, alarm contact output as option. Control voltage is 10-32V, load voltage is 180-660V AC, load current is 25A.

Features

- Zero Crossing
- Load Current: 25A
- Over-temperature Protection
- SCR Failure Detection Function
- Load Disconnection Detection Function
- Phase-lack Detection Function
- Fault Indication Function

Application

Motor control, Kiln temperature control system and Large oven.

Function Introduction

Over-temperature Protection	Product temperature real-time monitoring relay power component at work, when the power component temperature over 60°C, the product is in pre-alarm state, fault indicator is blinking at the same time, and with the increase of the power component temperature flicker faster, this state product still work. When the power component temperature is over 80°C, the product will cut off the output, fault indicator and the output signal at the same time, need power component cooled to below 60°C product function shall be resumed.
SCR Failure and Load Disconnection Detection	Without control signal, when the load disconnection or SCR failure happens, product outputs failure state with the indicator lighting.
	With control signal and the SCR work properly, when SCR disconnection happens, product will output alarm. When SCR short-circuits happens, product will detect this state after take out the control signal, product will output alarm. The indicator will light in the above two faults.
Phase-lack Detection	When phase-lack failure happens during the work, product will automatic cut off the output with the fault indicator lighting and outputs a failure signal.
	Without control signal,when phase-lack failure happens, product will output failure signal.

Technical Specification (@25°C)

Input Circuit		
External Power Parameters	Rated Voltage Range	10-32V DC
	Max. Current Consumption	60mA
Control Voltage	Control Voltage Range	10-32V DC
	Minimum Turn-On Voltage	10V DC
	Minimum Turn-Off Voltage	2V DC
	Maximum Input Current	10mA

Newark.com/multicomp-pro
Farnell.com/multicomp-pro
Element14.com/multicomp-pro

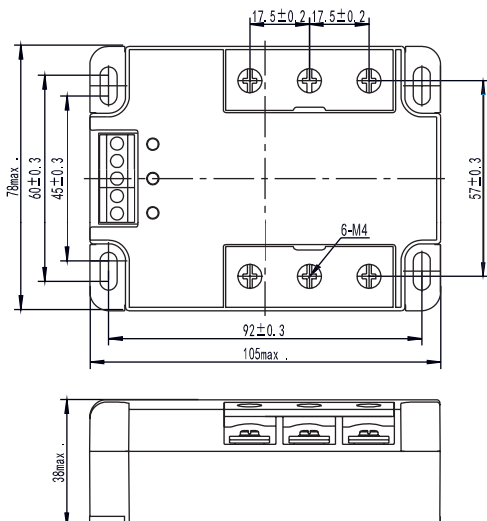
multicomp PRO

Panel Mount Solid State Relay Three Phase AC Output

multicomp PRO

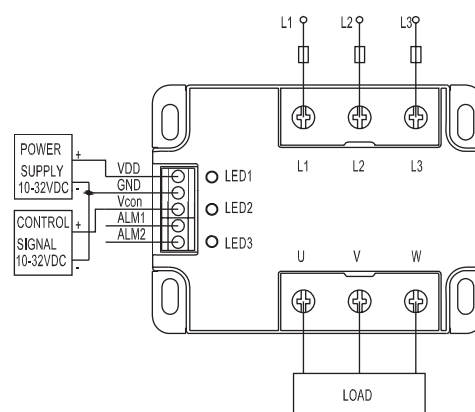
Output Circuit		
Load Voltage Range	480V AC	180-530V AC
	600V AC	180-660V AC
Transient Overvoltage	480V AC	1200Vpk
	600V AC	1600Vpk
Minimum Holding Current [@ Rated Voltage]		200mA
Maximum Turn-on Time		100ms
Maximum Turn-off Time		50ms
Maximum Surge Current [@10ms]	25A	300A
Maximum Off-state Leakage Current [@ Rated Voltage]		5mA
Maximum On-state Voltage Drop [@ Rated Current]		1.6Vrms
Minimum Off-state dv/dt [@ Maximum Rated Voltage]		500V/μs
General Information		
Alarm Contact Parameters	Contact Resistance	<50mΩ
	Maximum Current	1A @250V AC/30V DC
Dielectric Strength	Input/Output	≥4000Vrms
	Output/Base	≥2500Vrms
Ambient Operating Temperature Range		-30°C ~ +80°C
Ambient Storage Temperature Range		-30°C ~ +100°C
Weight (typical)		290g

Installation Drawing



Dimensions : Millimetres

Wiring Diagram



Newark.com/multicomp-pro
Farnell.com/multicomp-pro
Element14.com/multicomp-pro

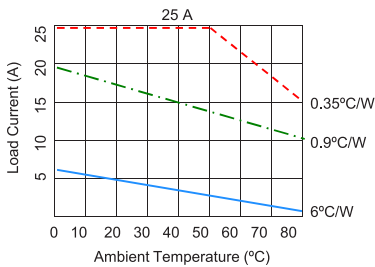
multicomp PRO

Panel Mount Solid State Relay Three Phase AC Output



- VDD : External DC power anode (10-32V DC)
- GND : External DC power cathode (0V)
- Vcon : Control voltage input (10-32V DC)
- ALM1, ALM2: Failure alarm signal output contact
Normal open
Contact close in failure
- LED1: Power indication of external power supply
- LED2: Control signal indication
- LED3: Failure indication

Thermal Curve



Part Number Table

Description	Part Number
SSR, 3 Phase, Panel Mount, 25A, 480V AC, 10-32V DC, Zero Crossing, W/ Heat Sink	MC002278
SSR, 3 Phase, Panel Mount, 25A, 600V AC, 10-32V DC, Zero Crossing, W/ Heat Sink	MC002279

Important Notice : This data sheet and its contents (the "Information") belong to the members of the AVNET group of companies (the "Group") or are licensed to it. No licence is granted for the use of it other than for information purposes in connection with the products to which it relates. No licence of any intellectual property rights is granted. The Information is subject to change without notice and replaces all data sheets previously supplied. The Information supplied is believed to be accurate but the Group assumes no responsibility for its accuracy or completeness, any error in or omission from it or for any use made of it. Users of this data sheet should check for themselves the Information and the suitability of the products for their purpose and not make any assumptions based on information included or omitted. Liability for loss or damage resulting from any reliance on the Information or use of it (including liability resulting from negligence or where the Group was aware of the possibility of such loss or damage arising) is excluded. This will not operate to limit or restrict the Group's liability for death or personal injury resulting from its negligence. Multicomp Pro is the registered trademark of Premier Farnell Limited 2019.

Newark.com/multicomp-pro
Farnell.com/multicomp-pro
Element14.com/multicomp-pro

