

Order code	Manufacturer code	Description
75-0057	R13-270A BLACK	2P SPST ON-OFF MINI ROCKER BLK P FIT RC

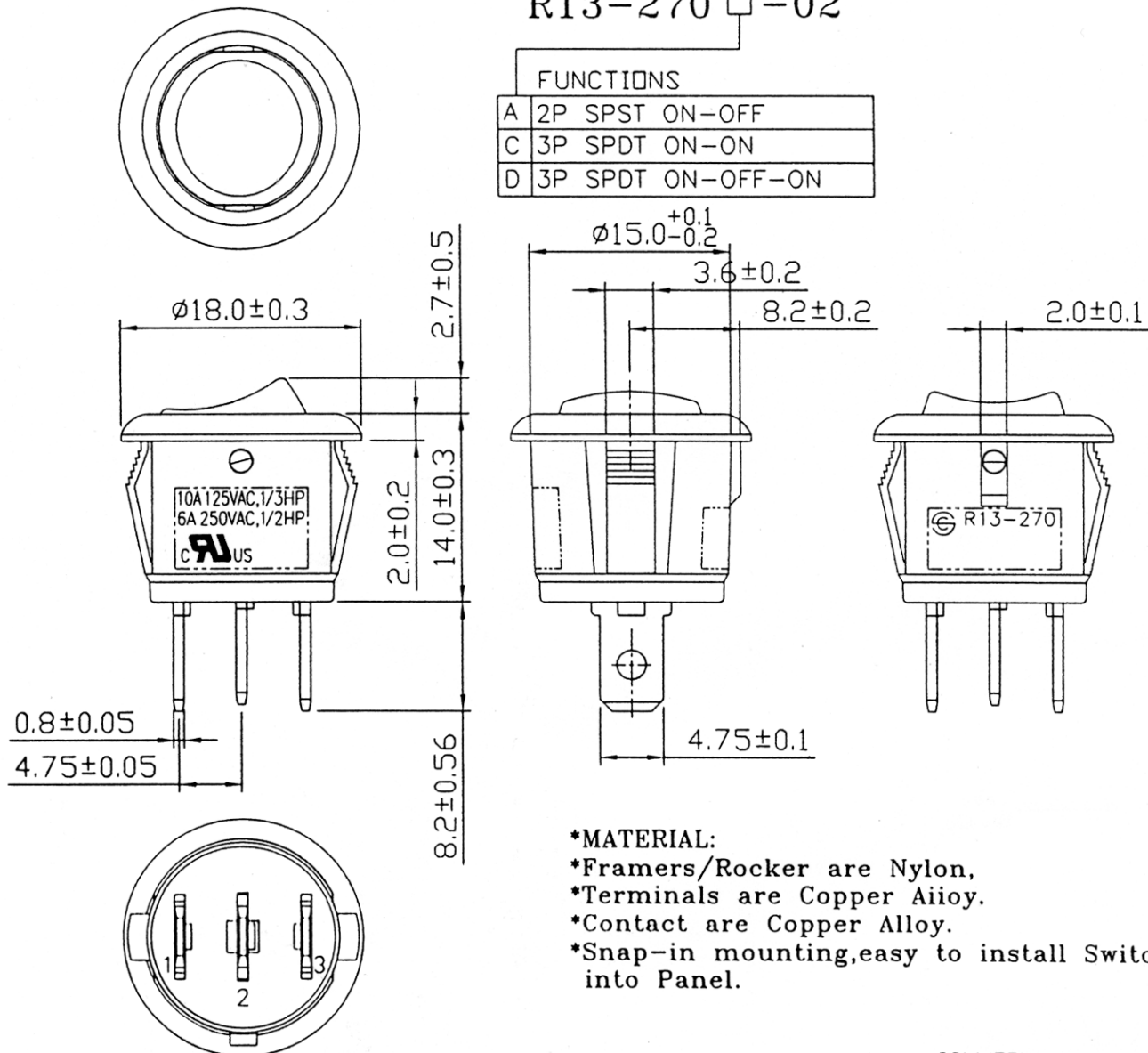
	Page 1 of 2
The enclosed information is believed to be correct, Information may change without notice due to product improvement. Users should ensure that the product is suitable for their use. E. & O. E.	Revision A 20/02/2007

Rating	10A 125V 1/3HP 6A 250VAC 1/2HP		Circuit Structure		
Contact R	50m ohm Max.		A		
Insulation R	DC 500V 100M ohm Min.		C		
Dielectric Strength	AC 1500V 1 minute		D		
Operation Temperature	-25°C~85°C				
Circuit	SEE TABLE				

R13-270 □ -02

FUNCTIONS

A	2P SPST ON-OFF
C	3P SPDT ON-ON
D	3P SPDT ON-OFF-ON



*MATERIAL:

- *Framers/Rocker are Nylon,
- *Terminals are Copper Alloy.
- *Contact are Copper Alloy.
- *Snap-in mounting, easy to install Switch into Panel.

C3\WORK14\R13-270

△	Date	Name	Descriptions		
Drawing	Check	Approval	SCI No.		Model Name
B.S.Wang			Customer No.		ROCKER SWITCH
11/28/'03			Unit	mm	Model No.
					R13-270 SERIES