

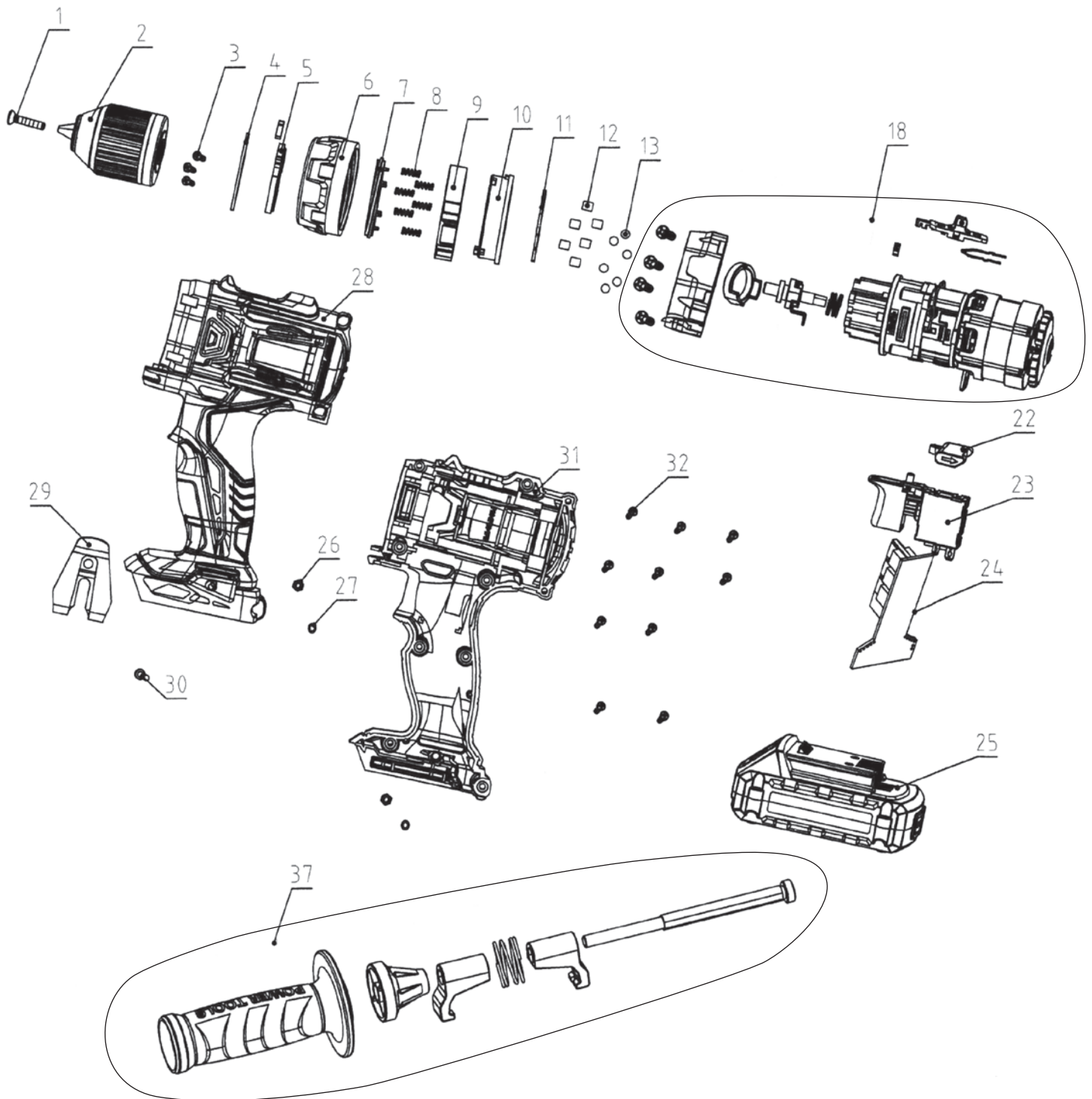
**DRAPER**<sup>®</sup>

20V BRUSHLESS

# HAMMER DRILL

55338 / 79894 - D20CD60 / D20CD60SET  
SPARE PARTS DRAWING

**D20**  
MULTI-TOOL BATTERY SYSTEM





**DRAPER**<sup>®</sup>

20V BRUSHLESS

**HAMMER DRILL**

55338 / 79894 - D20CD60 / D20CD60SET

SPARE PARTS LISTING



**MULTI-TOOL BATTERY SYSTEM**

KEY No.	PART No.	STOCK No.	DESCRIPTION	KEY No.	PART No.	STOCK No.	DESCRIPTION
1	YD20CD60-1	97152	Chuck screw.				
2	YD20CD60-2	97164	Keyless chuck				
3	YD20CD60-3	97153	Panhead self-tapping screw				
4	YD20CD60-4	97154	Front shroud				
5	YD20CD60-5	97155	Impact limit block				
6	YD20CD60-6	97156	Torsion sleeve				
7	YD20CD60-7	97157	Impact screw				
8	YD20CD60-8	97158	Coned disk spring				
9	YD20CD60-9	97159	Impact ring				
10	YD20CD60-10	97160	Impact lining				
11	YD20CD60-11	97161	Big washer				
12	YD20CD60-12	97162	Long pin				
13	YD20CD60-13	97163	Steel ball				
18	YD20CD60-18	97168	Gearbox assembly				
22	YD20CD60-22	97172	Forward/Reverse Button				
23	YD20CD60-23	97173	Brushless switch				
24	YD20CD60-24	97174	PCB				
25			Battery pack (79894 only)				
26	YD20CD60-26	97175	Hex nut				
27	YD20CD60-27	97176	Lock Washer				
28	YD20CD60-28	97177	The left casing				
29	YD20CD60-29	97178	Belt Hook				
30	YD20CD60-30	97179	Cross recessed pan head screw				
31	YD20CD60-31	97180	The right casing				
32	YD20CD60-32	97181	Panhead self-tapping screw				
37	YD20CD60-37	97186	Handle assembly				