

RoHS  
Compliant



## Description

The materials in our power cords range have been independently tested by an appropriate third party and we retain these records and intend to repeat such tests on an ongoing basis as part of our quality control procedures. Testing methods include.

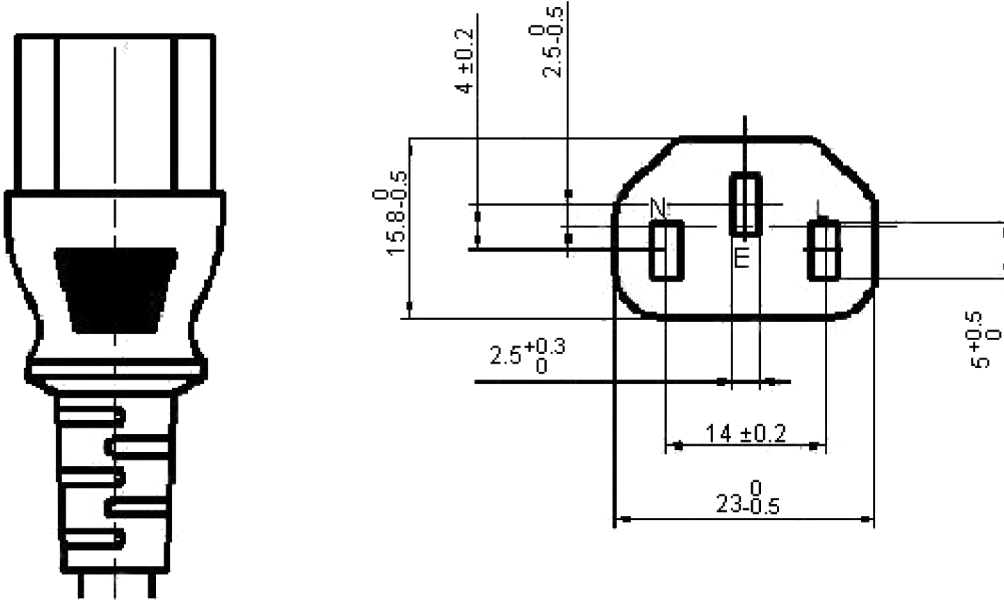
## Features

- EPA method 3050B: 1996 other acid digestion
- BSEN1122: 2001 method B other acid digestion
- EPA method 3052B:1996 other acid digestion
- EPA method 3060 and EPA 7196A:1992
- Atomic absorption spectrometer/ inductively coupled plasma atomic emission spectrometer (ICP+AES) UV-VIS spectrophotometer

## Specifications

End 1: IEC cold connector (C13) black	: Cables available with these connectors
Fuse: n/a	: SVT 18 AWG × 3C - 16 AWG × 3C
Lead: 350mts HO5VV-F 3 × 100 black	: SJT 18 AWG × 3C - 14 AWG × 3C
End 2: Strip 50/6mm	: H05VV-F 3G0.75-1.5 4V-75 250/440V 3G0.75-1.0 227 IEC 53 (RVV) 300/500V 3G0.75-1.5
Connector Type A	: IEC Plug
Connector Type B	: Wire
Cable Assembly Type	: Power Cord
Cable Length	: 3.5m
Colour	: Black
Conductor Size	: 1mm <sup>2</sup>

## Diagram



Dimensions: Millimetres

## Part Number Table

Description	Part Number
Lead, IEC To Bare, Black, 3.5m	SH10184R

**Important Notice :** This data sheet and its contents (the "Information") belong to the members of the AVNET group of companies (the "Group") or are licensed to it. No licence is granted for the use of it other than for information purposes in connection with the products to which it relates. No licence of any intellectual property rights is granted. The Information is subject to change without notice and replaces all data sheets previously supplied. The Information supplied is believed to be accurate but the Group assumes no responsibility for its accuracy or completeness, any error in or omission from it or for any use made of it. Users of this data sheet should check for themselves the Information and the suitability of the products for their purpose and not make any assumptions based on information included or omitted. Liability for loss or damage resulting from any reliance on the Information or use of it (including liability resulting from negligence or where the Group was aware of the possibility of such loss or damage arising) is excluded. This will not operate to limit or restrict the Group's liability for death or personal injury resulting from its negligence. Multicomp Pro is the registered trademark of Premier Farnell Limited 2019.