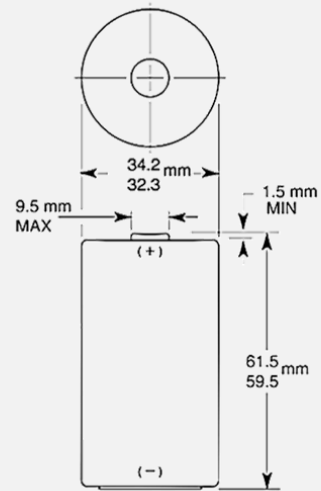


## ALKALINE-MANGANESE DIOXIDE BATTERY



Size: D (LR20) PX1300



Dimensions shown are IEC standards

### KEY FEATURES

- Reliable Performance
- Excellent resistance to corrosion
- Designed to meet all major quality, safety and environmental standards:
  - Safety: IEC 60086-5
  - ANSI C 18.1M, Part-2
  - EU Battery Directive
  - Quality: ISO 14001 and 9001, Duracell World Class Continuous Improvement Program

### TYPICAL APPLICATIONS

- Sanitizer Dispensers
- Automatic Odorizers
- Paper Towel Dispensers
- Flashlights
- Medical Devices

### ELECTRICAL CHARACTERISTICS

- Nominal capacity (50 mA Cont., .8V cut-off) 15,660 mAh
- Typical Voltage (at + 20 °C) 1.5 V
- AC Impedance @ 1kHz 136 mΩ

### PHYSICAL CHARACTERISTICS

- Typical weight 140.0 g (5 oz)
- Typical volume 56.4 cm<sup>3</sup> (3.4 in<sup>3</sup>)
- Terminals Flat

### OPERATING & STORAGE CONDITIONS

- Operating temperature range -20°C to 54°C (-4°F to 130°F)
- Recommended Storage (storage area should be clean, cool, dry and ventilated) 5°C to 30°C (41°F to 86°F)

**TYPICAL PERFORMANCE**

