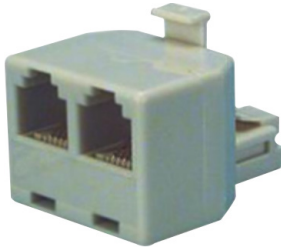


4 Wire In-Line Adaptor

**RoHS
Compliant**



Specifications

Adaptor Type : In-Line Modular Adaptor
 Connector Type A : 6P4C Modular Jack × 2
 Connector Type B : 6P4C Modular Plug

Material Specifications

Insulation : PVC, 0.97mm ±0.1mm
 Conductor : Bare Copper Wire, 0.48mm (AWG 26)

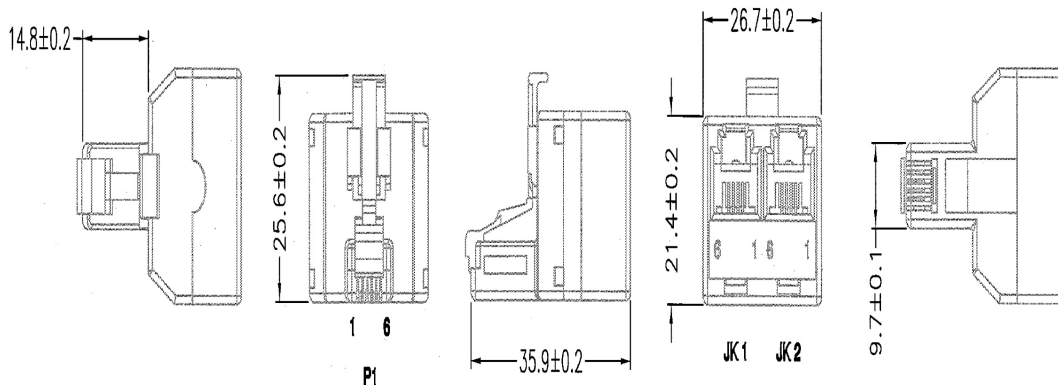
Plug

Housing : PC, Ivory
 Spring Wire : Phosphor Bronze, Gold Flash Plated

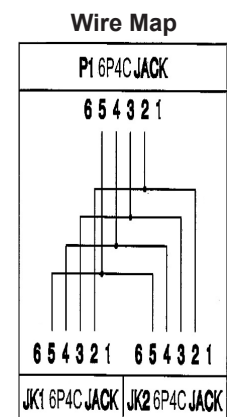
Jack

Housing : ABS, Ivory
 Spring Wire : Phosphor Bronze, Gold Flash Plated

Diagram



Dimensions : Millimetres



Part Number Table

Description	Part Number
4 Wire In-Line Adaptor, 6P4C Dual Jack to Plug, Ivory	36-040

Important Notice : This data sheet and its contents (the "Information") belong to the members of the Premier Farnell group of companies (the "Group") or are licensed to it. No licence is granted for the use of it other than for information purposes in connection with the products to which it relates. No licence of any intellectual property rights is granted. The Information is subject to change without notice and replaces all data sheets previously supplied. The Information supplied is believed to be accurate but the Group assumes no responsibility for its accuracy or completeness, any error in or omission from it or for any use made of it. Users of this data sheet should check for themselves the Information and the suitability of the products for their purpose and not make any assumptions based on information included or omitted. Liability for loss or damage resulting from any reliance on the Information or use of it (including liability resulting from negligence or where the Group was aware of the possibility of such loss or damage arising) is excluded. This will not operate to limit or restrict the Group's liability for death or personal injury resulting from its negligence. MCM is the registered trademark of the Group. © Premier Farnell Limited 2016.