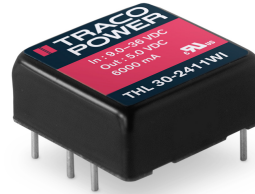


- 30 Watt converter in a 1" x 1" metal package
- Cost efficient design
- Wide 4:1 input voltage range: 9-36 and 18-75 VDC
- Operating temperature range -40 to +60 °C without derating
- 1500 VDC I/O-isolation
- Protection against overload, overvoltage and short circuit
- Remote On/Off and Trim function
- Optional heatsink for increased temperature capabilities
- 3-year product warranty



The THL 30WI series extends Traco Power's existing 30 Watt DC/DC converter portfolio with a new generation of 1" x 1" package converters. With the focus on combining cost efficiency and quality this isolated high performance 30 Watt DC/DC converter series is suitable for many different applications. The series comes in an encapsulated, shielded 1" x 1" x 0.4" metal package and offers integrated remote on/off and trim functions. High efficiency up to 88% enables the converter to operate from -40°C to +60°C without derating. All models have a wide 4:1 input voltage range and precisely regulated, isolated outputs. The series meets the latest IT safety certifications (UL 62368-1) and is suitable for uses in mobile equipment, instrumentation, distributed power architectures in communication and industrial electronics and everywhere where cost efficiency and quality are critical factors.

Models						
Order Code	Input Voltage Range	Output 1		Output 2		Efficiency typ.
		Vnom	I _{max}	Vnom	I _{max}	
THL 30-2410WI	9 - 36 VDC (24 VDC nom.)	3.3 VDC	7'000 mA			87 %
THL 30-2411WI		5 VDC	6'000 mA			88 %
THL 30-2412WI		12 VDC	2'500 mA			88 %
THL 30-2413WI		15 VDC	2'000 mA			88 %
THL 30-2415WI		24 VDC	1'250 mA			88 %
THL 30-2422WI		+12 VDC	1'250 mA	-12 VDC	1'250 mA	88 %
THL 30-2423WI		+15 VDC	1'000 mA	-15 VDC	1'000 mA	88 %
THL 30-4810WI	18 - 75 VDC (48 VDC nom.)	3.3 VDC	7'000 mA			87 %
THL 30-4811WI		5 VDC	6'000 mA			88 %
THL 30-4812WI		12 VDC	2'500 mA			88 %
THL 30-4813WI		15 VDC	2'000 mA			88 %
THL 30-4815WI		24 VDC	1'250 mA			88 %
THL 30-4822WI		+12 VDC	1'250 mA	-12 VDC	1'250 mA	88 %
THL 30-4823WI		+15 VDC	1'000 mA	-15 VDC	1'000 mA	88 %

Options	
THL-HS1	- Optional Heat Sink: www.tracopower.com/products/thl-hs1.pdf

Input Specifications

Input Current	- At no load	24 Vin models: 10 mA typ. 48 Vin models: 8 mA typ.
	- At full load	24 Vin models: 1'106 mA typ. (3.3 Vout model) 1'420 mA typ. (5 Vout model) 1'420 mA typ. (12 Vout model) 1'420 mA typ. (15 Vout model) 1'420 mA typ. (24 Vout model) 1'420 mA typ. (12 / -12 Vout model) 1'404 mA typ. (15 / -15 Vout model) 48 Vin models: 553 mA typ. (3.3 Vout model) 702 mA typ. (5 Vout model) 702 mA typ. (12 Vout model) 702 mA typ. (15 Vout model) 694 mA typ. (24 Vout model) 694 mA typ. (12 / -12 Vout model) 694 mA typ. (15 / -15 Vout model)
Surge Voltage		24 Vin models: 50 VDC max. (100 ms max.) 48 Vin models: 100 VDC max. (100 ms max.)
Start-up Voltage		24 Vin models: 8.4 VDC min. / 8.7 VDC typ. / 9 VDC max. 48 Vin models: 16.4 VDC min. / 17.2 VDC typ. / 18 VDC max.
Under Voltage Lockout		24 Vin models: 7.8 VDC min. / 8.1 VDC typ. / 8.4 VDC max. 48 Vin models: 15.5 VDC min. / 16 VDC typ. / 16.4 VDC max.
Reflected Ripple Current		30 mA_{p-p} typ.
Recommended Input Fuse	- 24 Vin input	3.3 Vout models: 4'500 mA (slow blow) 5 Vout models: 6'500 mA (slow blow) 12 Vout models: 6'500 mA (slow blow) 15 Vout models: 6'500 mA (slow blow) 24 Vout models: 6'500 mA (slow blow) +12 / -12 Vout models: 6'500 mA (slow blow) +15 / -15 Vout models: 6'500 mA (slow blow)
	- 48 Vin input	3.3 Vout models: 2'500 mA (slow blow) 5 Vout models: 3'000 mA (slow blow) 12 Vout models: 3'000 mA (slow blow) 15 Vout models: 3'000 mA (slow blow) 24 Vout models: 3'000 mA (slow blow) +12 / -12 Vout models: 3'000 mA (slow blow) +15 / -15 Vout models: 3'000 mA (slow blow) (The need of an external fuse has to be assessed in the final application.)
Input Filter		Internal Pi-Type

Output Specifications

Output Voltage Adjustment		±10% (only single output models) (By external trim resistor) See application note: www.tracopower.com/overview/thl30wi Output power must not exceed rated power!
Voltage Set Accuracy		±1% max.
Regulation	- Input Variation (V _{min} - V _{max})	single output models: 0.2% max. dual output models: 0.5% max.
	- Load Variation (0 - 100%)	single output models: 0.2% max. dual output models: 1% max. (Output 1) 1% max. (Output 2)
	- Voltage Balance (symmetrical load)	dual output models: 2% max.
	- Cross Regulation (25% / 100% asym. load)	dual output models: 5% max.

All specifications valid at nominal voltage, resistive full load and +25°C after warm-up time, unless otherwise stated.

Ripple and Noise	- 20 MHz Bandwidth	75 mVp-p max. (w/ 0.1 μ F // 47 μ F)
Capacitive Load	- single output	3.3 Vout models: 10'000 μ F max.
		5 Vout models: 7'200 μ F max.
		12 Vout models: 1'250 μ F max.
		15 Vout models: 800 μ F max.
		24 Vout models: 330 μ F max.
	- dual output	12 / -12 Vout models: 680 / 680 μ F max. 15 / -15 Vout models: 470 / 470 μ F max.
Minimum Load		Not required
Temperature Coefficient		\pm 0.02 %/K max.
Start-up Time		30 ms max.
Start-up Overshoot Voltage		5% max.
Short Circuit Protection		Continuous, Automatic recovery
Output Current Limitation		120 - 170% of Iout max.
		150% typ. of Iout max.
Overvoltage Protection		125% typ. of Vout nom. (By Zener diode)
Transient Response	- Response Deviation	3% typ. / 5% max. (25% Load Step)
	- Response Time	250 μ s typ. (25% Load Step)

Safety Specifications

Safety Standards	- IT / Multimedia Equipment	EN 62368-1 IEC 62368-1 UL 62368-1
	- Certification Documents	www.tracopower.com/overview/thl30wi
Pollution Degree		PD 3

EMC Specifications

EMI Emissions	- Conducted Emissions	EN 55032 class A (with external filter) EN 55032 class B (with external filter)
	- Radiated Emissions	EN 55032 class A (with external filter) EN 55032 class B (with external filter)
	External filter proposal:	www.tracopower.com/overview/thl30wi
EMS Immunity	- Electrostatic Discharge	EN 55035 (Multimedia) Air: EN 61000-4-2, \pm 8 kV, perf. criteria A Contact: EN 61000-4-2, \pm 6 kV, perf. criteria A
	- RF Electromagnetic Field	EN 61000-4-3, 10 V/m, perf. criteria A
	- EFT (Burst) / Surge	EN 61000-4-4, \pm 2 kV, perf. criteria A EN 61000-4-5, \pm 2 kV, perf. criteria A
	- Conducted RF Disturbances	External filter proposal: www.tracopower.com/overview/thl30wi EN 61000-4-6, 10 Vrms, perf. criteria A
	- PF Magnetic Field	Continuous: EN 61000-4-8, 100 A/m, perf. criteria A 1 s: EN 61000-4-8, 1000 A/m, perf. criteria A

General Specifications

Relative Humidity		95% max. (non condensing)
Temperature Ranges	- Operating Temperature	-40°C to +80°C -40°C to +85°C (with Heat Sink)
	- Case Temperature	+105°C max.
	- Storage Temperature	-55°C to +125°C
Power Derating	- High Temperature	See application note: www.tracopower.com/overview/thl30wi
Cooling System		Natural convection (20 LFM)

All specifications valid at nominal voltage, resistive full load and +25°C after warm-up time, unless otherwise stated.

Remote Control	- Voltage Controlled Remote - Off Idle Input Current - Remote Pin Input Current	On: 3.5 to 12 VDC or open circuit Off: 0 to 1.2 VDC or short circuit Refers to 'Remote' and '-Vin' Pin 2 mA typ. -0.5 to 0.5 mA
Altitude During Operation		6'000 m max.
Switching Frequency		158 - 193 kHz (PWM) (3,3 Vout models) 223 - 273 kHz (PWM) (5 Vout models) 257 - 314 kHz (PWM) (other output models)
Insulation System		Functional Insulation
Isolation Test Voltage	- Input to Output, 60 s - Input to Output, 1 s - Input to Case, 60 s - Output to Case, 60 s	1'500 VDC 1'800 VDC 1'000 VDC 1'000 VDC
Isolation Resistance	- Input to Output, 500 VDC	1'000 MΩ min.
Isolation Capacitance	- Input to Output, 100 kHz, 1 V	1'500 pF max.
Reliability	- Calculated MTBF	1'310'710 h (MIL-HDBK-217F, ground benign)
Washing Process		Allowed (hermetical product) See Cleaning Guideline: www.tracopower.com/info/cleaning.pdf
Environment	- Vibration - Mechanical Shock - Thermal Shock	IEC 60068-2-64 2.4 g, 3 axis, random waveform, 30 min IEC 60068-2-27 30 g, 3 axis, half sine, 11 ms IPC-9592B -40 to +125°C, 100 cycles, 30 min each
Housing Material		Plastic base-plate w. metal case
Base Material		Non-conductive FR4 (UL 94 V-0 rated)
Potting Material		Silicone (UL 94 V-0 rated)
Pin Material		Copper
Pin Foundation Plating		Nickel (2 - 4 μm)
Pin Surface Plating		Tin (3 - 5 μm), matte
Housing Type		Metal Case
Mounting Type		PCB Mount
Connection Type		THD (Through-Hole Device)
Footprint Type		1" x 1"
Soldering Profile		Wave Soldering 260°C / 10 s max.
Weight		25 g
Thermal Impedance	- Case to Ambient	11 K/W typ. 10 K/W typ. (with Heat Sink)
Environmental Compliance	- REACH Declaration - RoHS Declaration	www.tracopower.com/info/reach-declaration.pdf REACH SVHC list compliant REACH Annex XVII compliant www.tracopower.com/info/rohs-declaration.pdf Exemptions: 7a (RoHS exemptions refer to the component concentration only, not to the overall concentration in the product (O5A rule). The SCIP number is provided on request.)

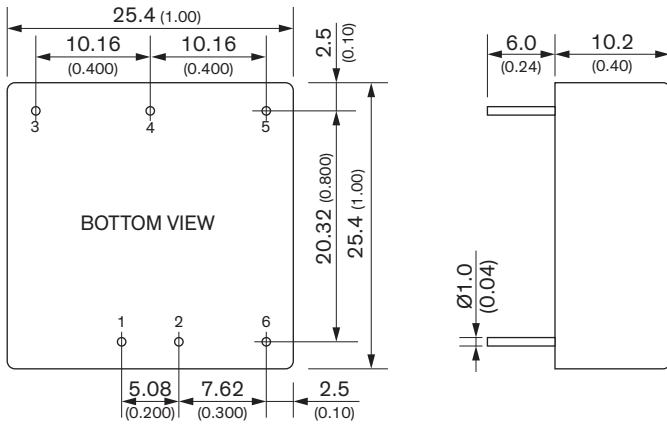
Supporting Documents

Overview Link (for additional Documents)

www.tracopower.com/overview/thl30wi

All specifications valid at nominal voltage, resistive full load and +25°C after warm-up time, unless otherwise stated.

Outline Dimensions



Pinout		
Pin	Single	Dual
1	+Vin	+Vin
2	-Vin	-Vin
3	+Vout	+Vout
4	Trim	Common
5	-Vout	-Vout
6	Remote On/Off	Remot On/Off

Dimensions in mm (inch)
 Tolerance: X.X ±0.5 (X.XX ±0.02)
 X.XX ±0.25 (X.XXX ±0.01)
 Pin Diameter: ±0.05 (±0.002)