



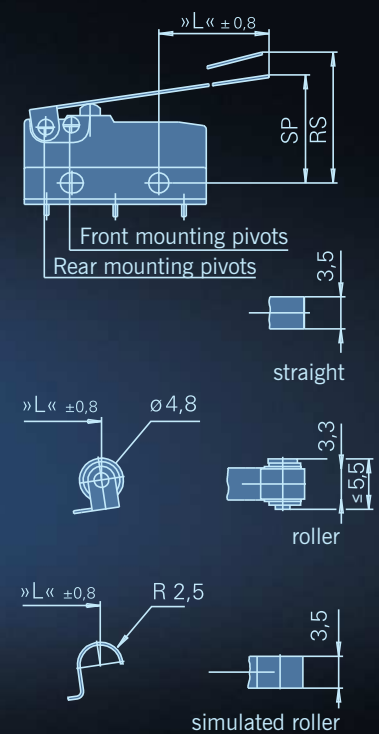
Auxiliary actuator options

Model	Mounting point	Length (mm)	Order code*
Without lever, spherical head lever, radius shape	-	-	-
Straight	RM rear	4,8	6141232
		7	6141233
		42	6141234
	FM front	7	6141232
		9,4	6141233
		43,5	6141234
Roller	RM rear	2,5	7140260
		4,7	7140261
		39,7	7140262
	FM front	4,7	7140260
		7,1	7140261
		41,2	7140262
Simulated roller	RM rear	2,5	6141237
		4,7	6141238
		39,7	6141239
	FM front	4,7	6141237
		7,1	6141238
		41,2	6141239
Plastic straight	RM rear	7	6141247
		14	6141253
	FM front	9,4	6141247
		16,2	6141253
Plastic roller	RM rear	5,2	7140299
	FM front	7,3	7140299
Plastic simulated roller	RM rear	5,6	6141249
	FM front	7,9	6141249

* For retrofitting

Auxiliary actuator options

Steel auxiliary actuator



Plastic auxiliary actuator with/without adjusting screw

