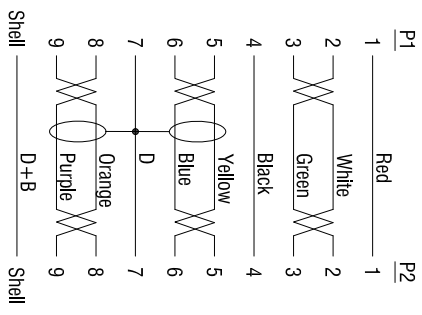


WIRE ADDRESS



Electrical Test:

1. 100% TEST OPEN SHORT MIS-WIRE.
2. CONTACT RESISTANCE: 3Ω MAX.
3. INSULATION RESISTANCE: 5MΩ MIN.
4. HI-POT: 300V DC/10MS.
5. SUPPORT USB 3.2 GEN1 5Gbps

D	45P PVC BLACK		6
C	USB B MALE (Blue Insulator, Shell Nickel Plated, Pin Gold Plated 30U ^m)	1	PCS
B	USB A MALE (Blue Insulator, Shell Nickel Plated, Pin Gold Plated 30U ^m)	1	PCS
A	UL2725 OR UL20276 (28AWG*1P+EAM)*2C+28AWG*1P+24AWG*2C+AEB, OD=5.5mm, BLACK PVC JACKET. (8C Wire)	1	PCS
NUMBER		PRODUCT SPECIFICATIONS	Quantity Unit
1			

D			
C			
B			
VER.A	REVISE		DATE

USB 3.2 Gen 1 Cable, A - B, M/M, black, 0.8 m

Item 11.02.8869

Draw Sam Date: 2014.12.05

Approval

Duty F16 BOM.NO: 13412

