

## Line laser, red, 650nm, 45°, 5mW

LD650-5-3(12x32)45-F400

Order Number: 70122787

Main Parameters (*)	min	typ	max	Unit
Wavelength		650		nm
Optical Output Power		5		mW
Operating Voltage	2.7	3	3.3	V DC
Operating Current	15	34	45	mA
Operating Temperature	-20		50	°C
Storage Temperature	-40		80	°C

### Technical Parameters

Lifetime	>5000h
RoHS	yes

### Optical Parameters

Beam Shape	Line
Laser Class	1
Divergence	D - 0.5mrad
Fan Angle	45°
Line Thickness	<1mm@400mm
Operating Distance	0.4m
Optics	glass lens AR coated
Laser technology	Single Mode Diode
Focus	fixed (400mm)

### Electrical Parameters

Potential of Housing	isolated
Power Supply	LFNT-3

### Mechanical Parameters

Size	Ø12x32mm
Material	aluminium
Cable length	100mm
Wire type	Belden, Typ 1007, 26AWG
Output Aperture	5.5mm
Housing Color	black
Weight	17.6g
Stripping of wire	5mm

(\*) Over the complete operating temperature range

### Features





- Fan angle 45°
- Laser Class 1
- Operating Voltage 3V DC
- Uniform illumination
- Glas lenses anti reflex coated

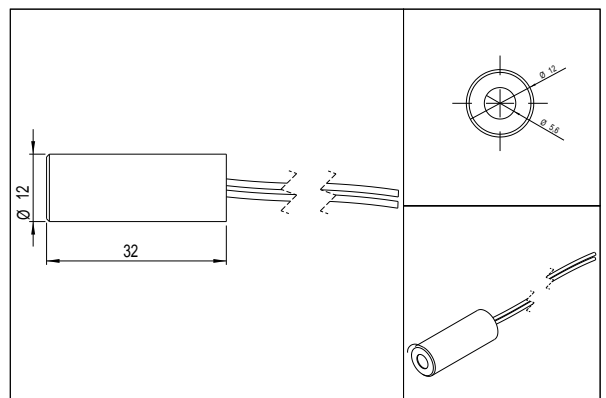
### Picture



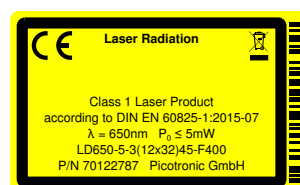
### Cable Colors

Ground		black	GND
Positive		red	2.7 - 3.3, typ 3V DC

### Drawing



### Safety Label



### Revision

| 21-JAN-2015