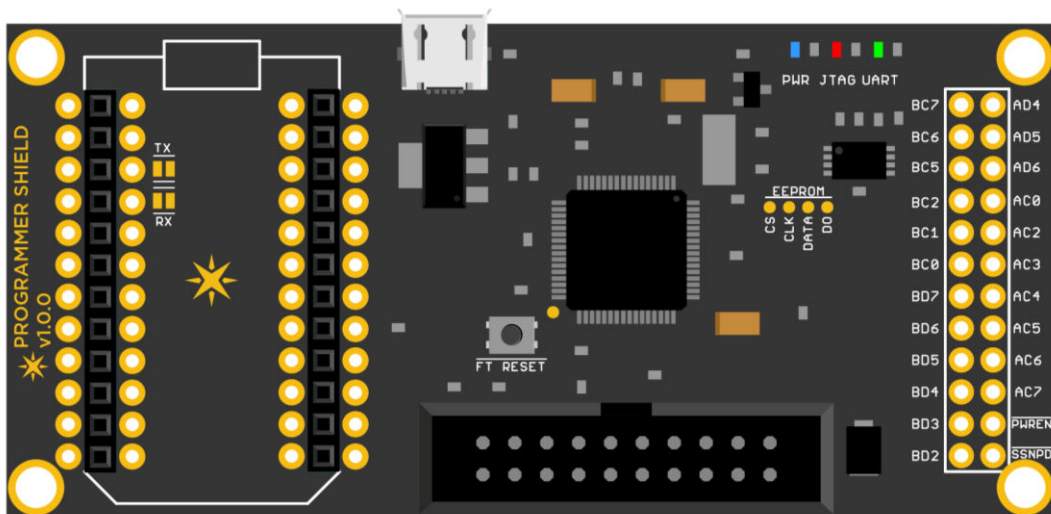


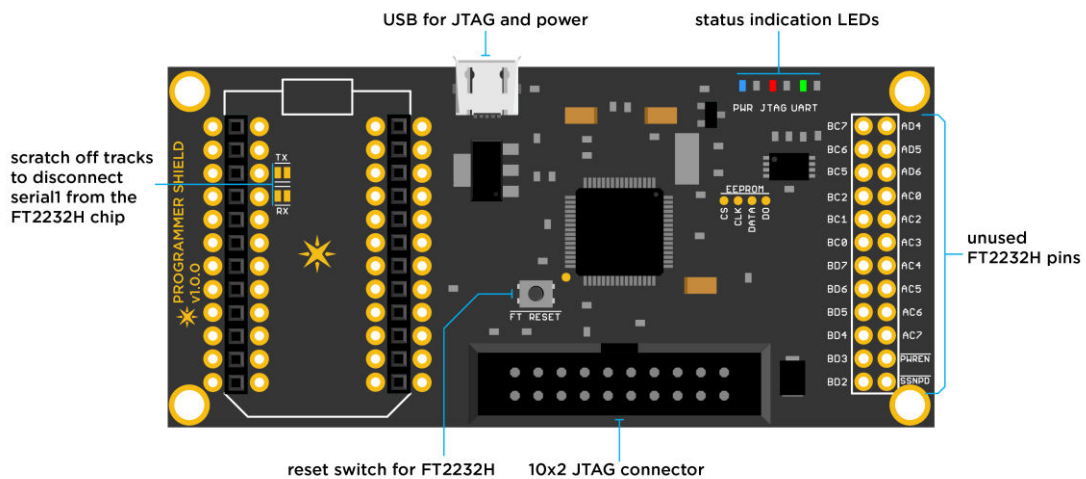
Programmer Shield

Gain complete control over your Particle device right down to its every bit of memory space or watch as your code gets executed and debug it.



This is a FT2232H based JTAG programmer shield that is compatible with OpenOCD and Broadcom's WICED IDE. The FT2232 chip is setup to provide an USB-JTAG and USB-UART interface simultaneously. The FT2232 can be also reconfigured by the user by reprogramming the on-board configuration EEPROM. The unused pins are clearly marked and broken out into easy to access header holes.

The USB-UART interface is connected to the TX and RX of a Particle device and communicates via Serial1



Programmer Shield - Specifications

- Operating supply: USB
- Current consumption:
- Dimensions: 84mm x 39mm x 12mm / 3.3" x 1.5" x 0.5"
- Weight: 18 g
- Compatibility: OpenOCD and WICED IDE

Drill Template

