

Step-Up (115VAC to 230VAC) 176 Series Plug-In

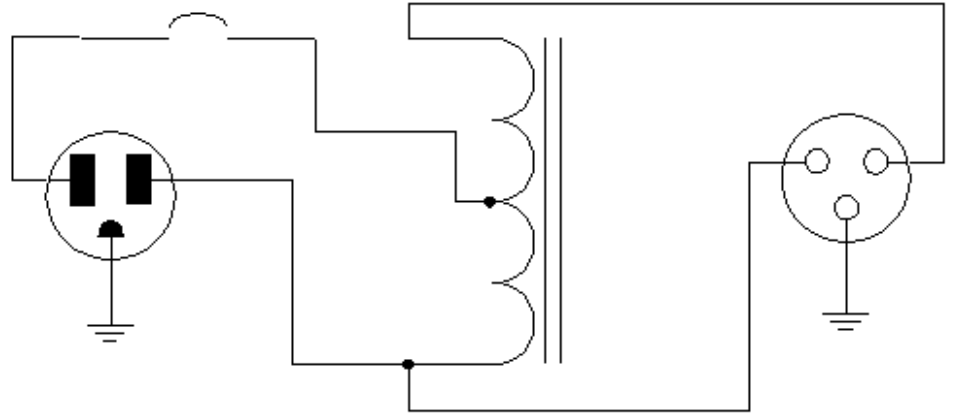


Features

- Single winding, does not provide isolation, for use where equipment is already isolated and only voltage change is required.
- World wide applications, 50 or 60 Hz. operation, step up (115VAC to 230VAC).
- Input is circuit breaker protected.
- Hi-pot tested to 2 KV RMS
- Input is a standard 3-wire, grounded plug (can also be used with **adaptors** for proper grounding).
- Input is connected to a 5 foot cord & standard grounded North American plug (NEMA 5-15P)
- Output - Due to U.L changes in 2007 - NEW production with the European (Shuko) parts would no longer be U.L. listed. Therefore, we replaced this output receptacle with a one foot long "pig tail" cord with a standard North American 3-wire, 250V receptacle (NEMA 6-15R) for any production after the first part of 2008.
- North American Mark of Safety - C UL & UL listed (File #E211544).
- Indoor use only.
- Remember - These units do NOT convert line frequency

Gallery





Part No.	Capacity		Overall Dimensions					Wt. Lbs.
	VA	A	B	C	D	E		
176A	120	3.16	4.25	3.81	2.50	2.94	3.5	
176B	200	3.16	4.50	3.81	2.50	3.19	4.5	
176C	300	3.16	5.00	3.81	2.50	3.69	6	
176D	500	3.80	6.00	4.68	3.00	4.38	10	
176E	750	3.80	7.06	4.68	3.00	5.38	14	
176F	1000	3.80	7.06	4.68	3.00	5.38	14.5	
176G	1500	4.40	6.63	5.39	3.50	6.09	22	

Data subject to change without notice