

THIS DRAWING COVERS A PROPRIETARY ITEM AND IS THE PROPERTY OF MICRO SWITCH, A DIVISION OF HONEYWELL. THIS DRAWING IS NOT TO BE COPIED OR USED WITHOUT THE APPROVAL OF MICRO SWITCH.

15PA87

CATALOG LISTING

PAGE 1 OF 1

REPLACES

RELEASE NO. SR-12670

CHECK

CHECK

31AUG01

SAV

CHECK

31AUG01

GJW

DRAWN

PTC/CAD 2D

3

ISSUE

CHECK

CHECK

31AUG01

SAV

CHECK

31AUG01

GJW

DRAWN

PTC/CAD 2D

15PA87

CATALOG LISTING



ISSUE

3

CHECK

REVISIONS

A 203836

G J W

AUG 01

31AUG01

SAV

CHECK

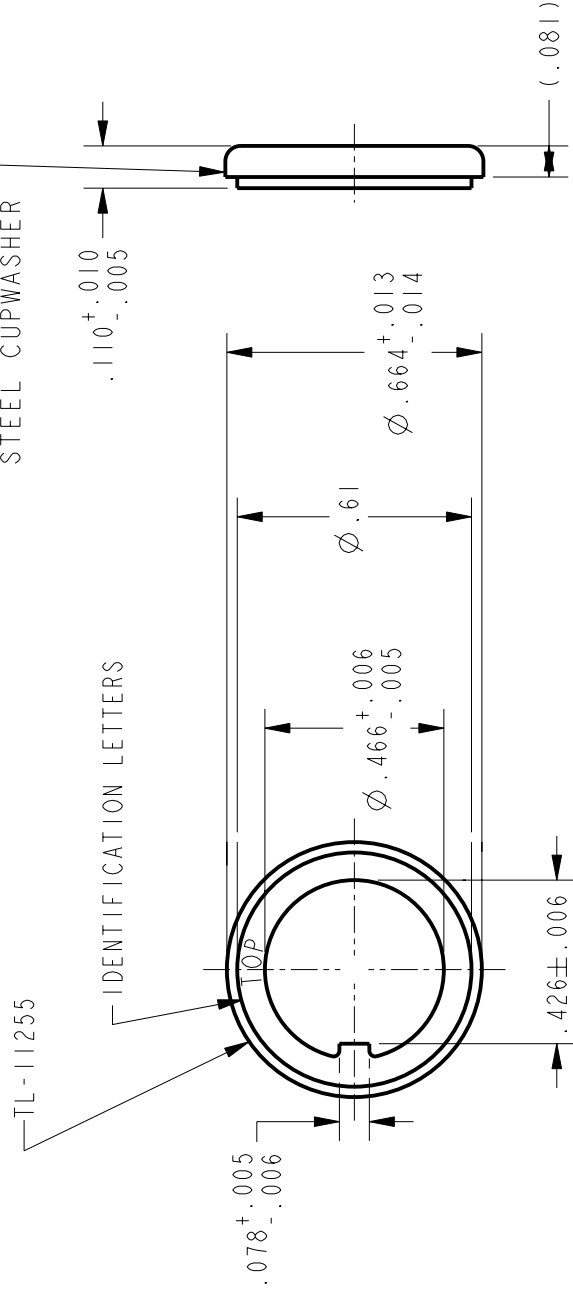
31AUG01

GJW

DRAWN

PTC/CAD 2D

ANSI Y14.5M-1982 APPLIES



THIRD ANGLE PROJECTION



SCALE 2 : 1

DO NOT SCALE PRINT

UNLESS OTHERWISE SPECIFIED TOLERANCES ARE

ONE PLACE (.0) $\pm .030$

TWO PLACE (.00) $\pm .015$

THREE PLACE (.000) $\pm .005$

ANGLES \dagger

WEIGHT