

Coverings • for taper clamping units

23250.0412

Product Description

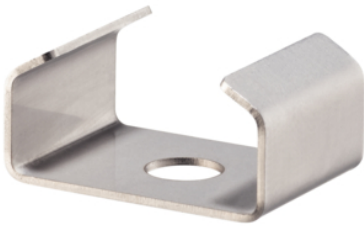
Protects against damage from scales of wood and dirt.

Material

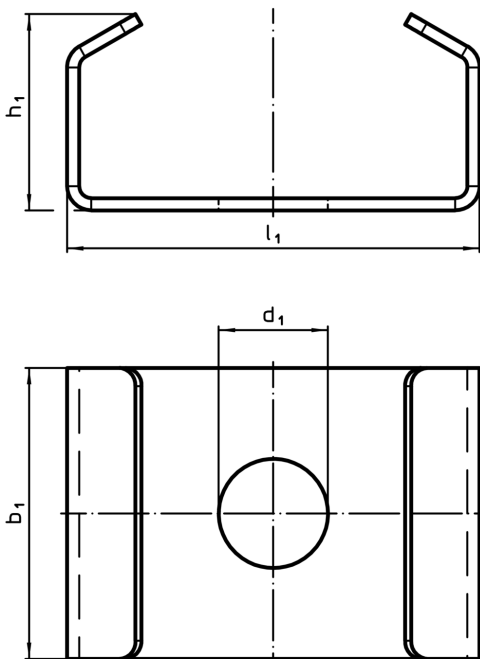
- steel

Assembly

The cover is mounted under the taper clamping unit.



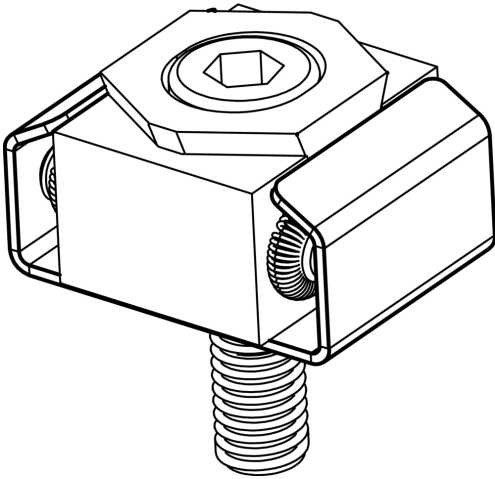
Drawing



Order information

d ₁	For screw	Dimensions			for taper clamping units	[g]	Art. No.
		b ₁ [mm]	h ₁	l ₁			
13	M12	38	22.1	44	23250.0012/.0052/.0142/.0162	26	23250.0412

Application example



Compliance

RoHS compliant

Compliant according to Directive 2011/65/EU and Directive 2015/863

Does not contain SVHC substances

No SVHC substances with more than 0.1% w/w contained - SVHC list [REACH] as of 10.06.2022

Does not contain Proposition 65 substances

No Proposition 65 substances included
<https://www.P65Warnings.ca.gov/>

Free from Conflict Minerals

This product does not contain any substances designated as "conflict minerals" such as tantalum, tin, gold or tungsten from the Democratic Republic of Congo or adjacent countries.