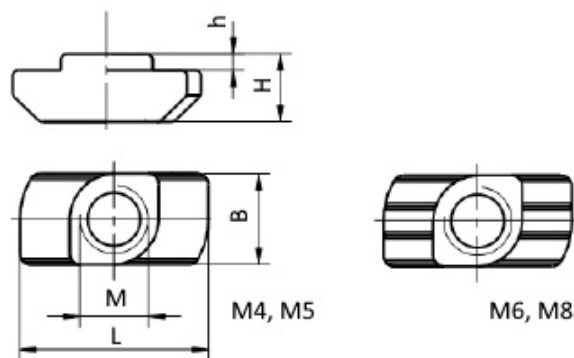


HAMMERMUTTER Stahl blau verzinkt



Material-Nr	L10120-0604	L10120-0605	L10102-0804	L10103-0805	L10104-0806	L10110-1004	L10111-1005	L10112-1006	L10113-1008
	Nut 6		Nut 8			Nut 10			
M	M4	M5	M4	M5	M6	M4	M5	M6	M8
h	1mm		1,5mm			3mm			
H	4mm		6mm			8,7mm			
L	11,5mm		16,5mm			19,6mm			
B	5,9mm		8mm			10mm			
=	Raster B 20		Raster B 30			Raster B 40, 45, 50, 60, 90			