

Product information

92 28 70 ESD

Universal Tweezers ESD

DIN EN 61340 -5-1



- Electrically dissipative coating: Universal tweezers in the ESD version equalize differences in electrical potential between their user and the workpieces in a controlled manner
- ESD-tested, black epoxy resin coating with a surface resistance between 10^4 and 10^9 ohms
- For the electronics and precision engineering industries
- Antimagnetic to avoid electromagnetic damage
- Wide range of designs: straight, angled, gripping surfaces and handles smooth or serrated, with needle points, narrow or blunt tips
- The high quality stainless steel ensures extreme toughness and very good corrosion resistance against a variety of atmospheric environments and many corrosive materials
- Also available as a set (92 00 01 ESD)
- Stainless steel

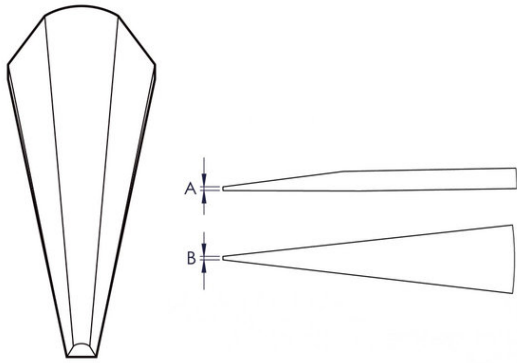
General

| | |
|-------------------|--------------------------|
| Article No. | 92 28 70 ESD |
| Reference number | 3C.SA.NE.B |
| EAN | 4003773054788 |
| Material | stainless steel |
| Gripping surfaces | smooth gripping surfaces |
| Weight | 14 g |
| Dimensions | 110 x 10 x 12 mm |
| Standard | DIN EN 61340 -5-1 |
| REACH compliant | does not contain SVHC |
| RoHS compliant | not applicable |

Technical details

| | |
|----------------------|--------------------------|
| Surface | matt finish |
| Finish | straight |
| Tips width (A) | 0.2 mm |
| Tips width (B) | 0.25 mm |
| Tweezers tip version | needle-point |
| Corrosion-resistant | yes |
| Acid resistance | very good |
| ESD-tested | yes |
| VDE tested | no |
| Sectors | electronics |
| Magnetic | non-magnetisable (80%) |
| Behaviour | electrically dissipative |

Technical details



technical change and errors excepted