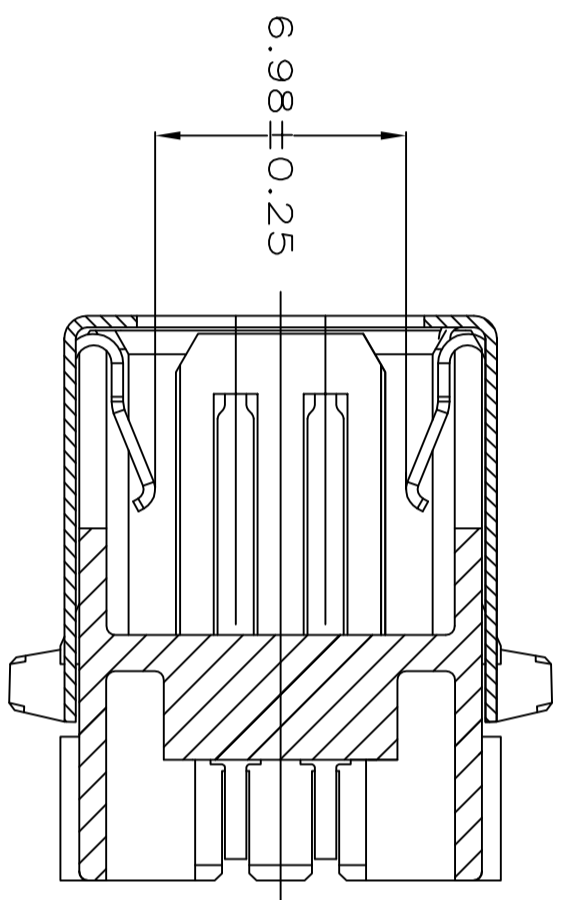
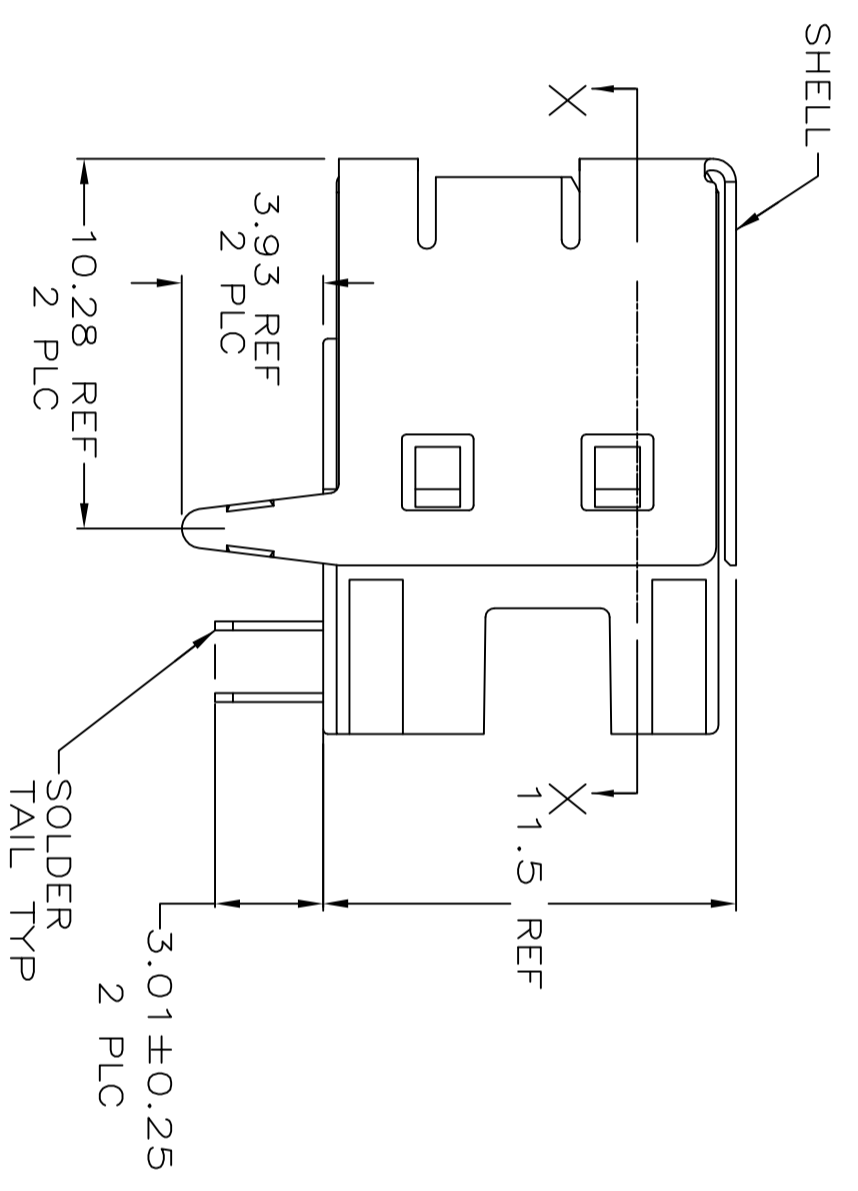
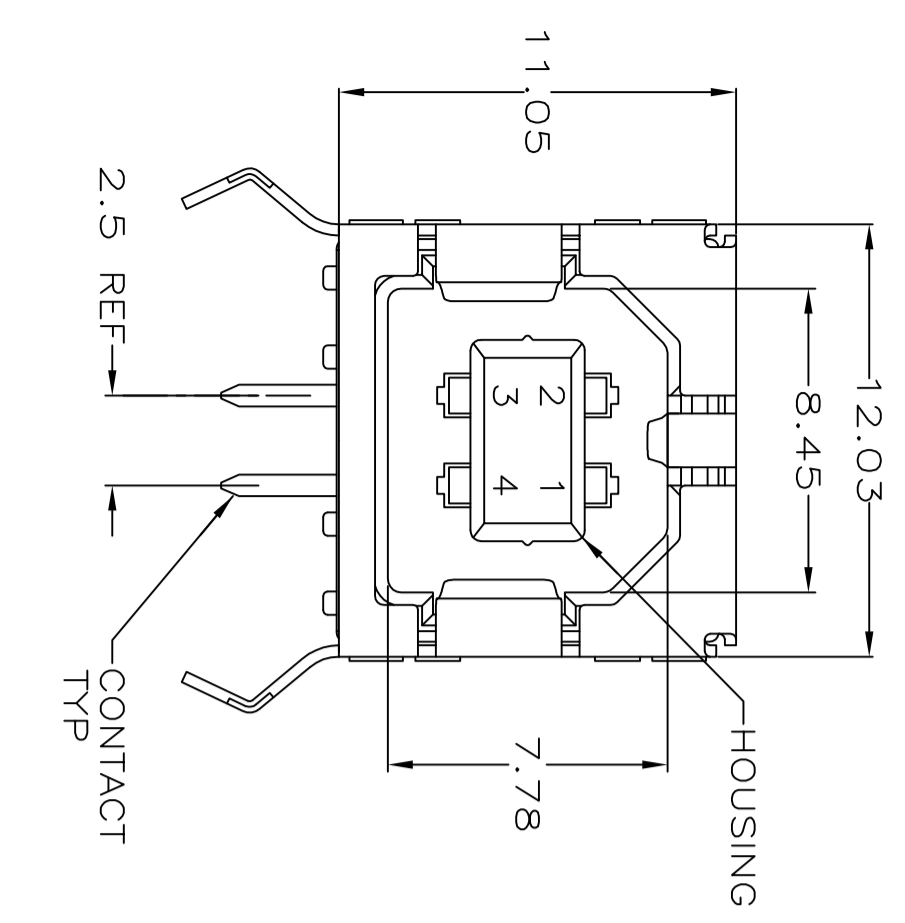


PC BOARD MOUNTING DIMENSIONS  $\Delta 4$



SECTION X-X

- $\Delta 1$  MATERIAL:  
SHELL & CONTACTS: COPPER ALLOY.  
HOUSING: UL 94V-0 RATED, THERMOPLASTIC, BLACK.
- $\Delta 2$  PLATING:  
CONTACTS: 0.076 $\mu$ m MINIMUM GOLD OVER 0.76 $\mu$ m MINIMUM PALLADIUM-NICKEL ON MATING AREA.  
3.8 $\mu$ m MINIMUM MATTE TIN ON SOLDER TAILS.  
BOTH OVER 1.27 $\mu$ m MINIMUM NICKEL.  
CONTACT ALTERNATE PLATING: 0.76 $\mu$ m MIN GOLD ON MATING AREA, 3.8 $\mu$ m MIN MATTE TIN ON SOLDER TAILS, BOTH OVER 1.27 $\mu$ m MIN NICKEL.
- $\Delta 3$  SHELL: 2.0~5.0 $\mu$ m MINIMUM TIN.  
DATUM AND BASIC DIMENSIONS ESTABLISHED BY CUSTOMER.
- $\Delta 4$  RECOMMENDED PC BOARD THICKNESS OF 1.57.
- $\Delta 5$  PLATING:  
CONTACTS: 0.76 $\mu$ m MINIMUM GOLD ON MATING AREA,  
3.8 $\mu$ m MINIMUM MATTE TIN ON SOLDER TAILS,  
BOTH OVER 1.27 $\mu$ m MINIMUM NICKEL.  
SHELL: 2.0~5.0 $\mu$ m MINIMUM TIN.
- $\Delta 6$  PLATING:  
CONTACTS: 0.38 $\mu$ m MINIMUM GOLD ON MATING AREA,  
3.8 $\mu$ m MINIMUM MATTE TIN ON SOLDER TAILS,  
BOTH OVER 1.27 $\mu$ m MINIMUM NICKEL.  
SHELL: 2.0~5.0 $\mu$ m MINIMUM TIN.
- 7 RECOMMEND:  
MATING FORCE: 35N MAX.  
UNMATING FORCE: 13N MIN.  
RECOMMENDED MATING PLUG SHOULD MEET USB2.0 STANDARD.

$\Delta 6$	NO	BLACK	292304-5
$\Delta 5$	NO	BLACK	292304-4
$\Delta 2$	YES	BLACK	292304-3
$\Delta 2$	YES	NATURAL	292304-2
$\Delta 2$	NO	BLACK	292304-1
PLATING		HIGH TEMPERATURE COMPATIBLE	PART NUMBER

DIMENSIONS:		TOLERANCES UNLESS OTHERWISE SPECIFIED:	
mm		mm	
0 PLC	±0.1	0 PLC	±0.1
1 PLC	±0.1	1 PLC	±0.1
2 PLC	±0.1	2 PLC	±0.1
3 PLC	±0.1	3 PLC	±0.1
4 PLC	±0.1	4 PLC	±0.1
MATERIAL		FINISH	
$\Delta 1$		$\Delta 2$	
CUSTOMER DRAWING		DRAWING NO	
		292304	

AMP 1471-9 REV 10/93

Completed: 02/01/17 10:17:26 (P:\AMPRD\JHANS) 7457  
 Conductor: Inc., Release Revision 2.2.57

292304