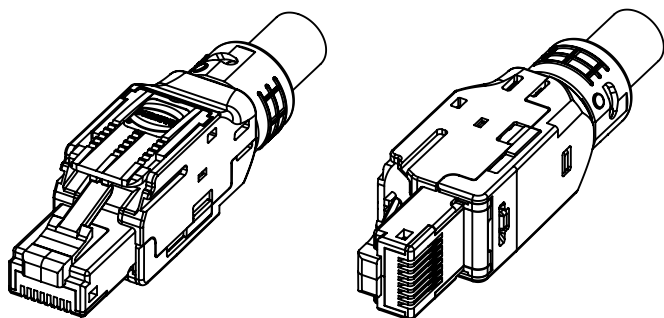
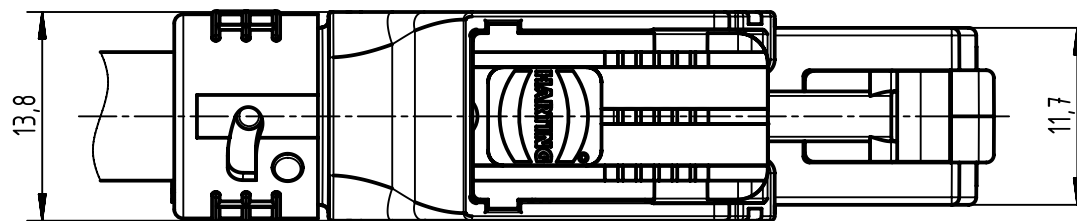
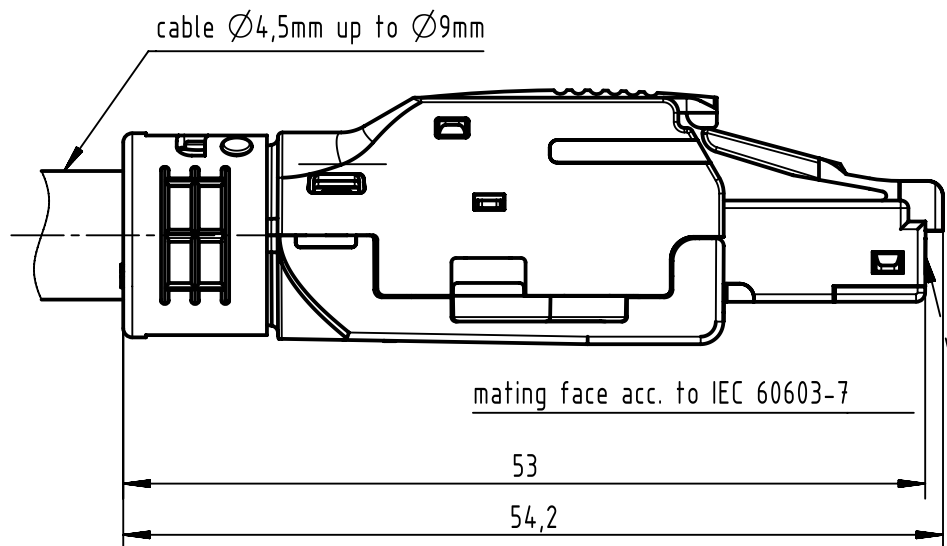


position 1 8



data contact plating: Au 1,27µm(50pin) over nickel

| | | | | | | | | | |
|--------------------------|--|---------------------|--|-----------------------|---------------------|-----------------|---------------------|----------|--|
| | All Dimensions in mm Original Size DIN A4 | Scale 1:1 | | Free size tol. | | Ref. | | | |
| | | Created by FARCASIU | | Inspected by PRIESTER | | Date 2019-12-18 | | Sub. | |
| | All rights reserved | | Standardisation HOFFMANN | | State Final Release | | Doc-Key / ECM-Nr. | | |
| | Department EL PD | | Title RJ45 MF RJ45 plug Cat6A, 8p IDC straight | | Date 2019-12-18 | | 100820258/UGD/000/C | | |
| HARTING Electronics GmbH | | Type TB | | Number 09451511570 | | Rev. C | | Page 1/1 | |
| D-32339 Espelkamp | | | | | | | | | |