

DRAPER[®]

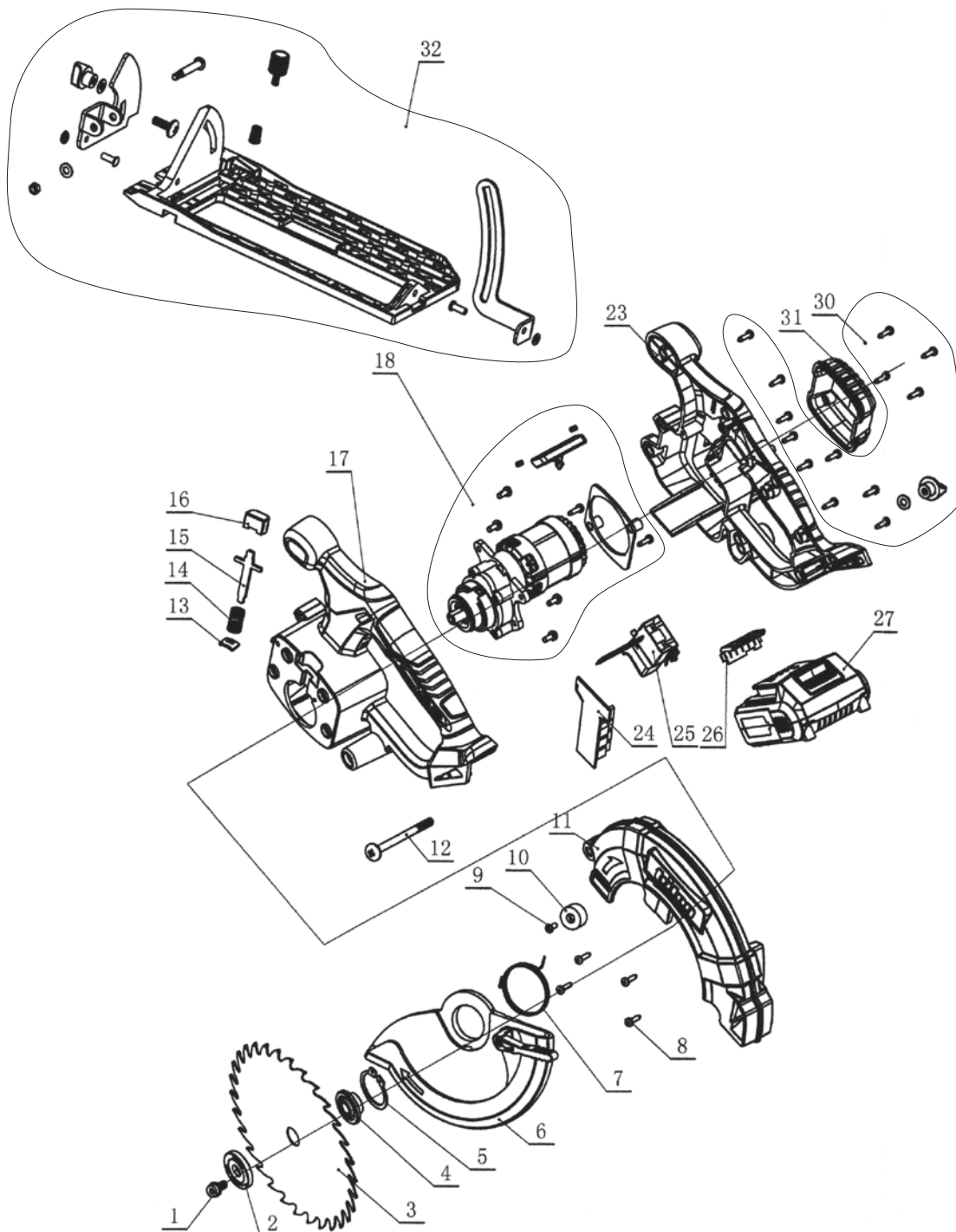
20V BRUSHLESS
**CIRCULAR
SAW**

GB

00594 / 55519 - D20CS165SET / D20CS165
SPARE PARTS DRAWING

D20

MULTI-TOOL BATTERY SYSTEM





20V BRUSHLESS
**CIRCULAR
SAW**



00594 / 55519 - D20CS165SET / D20CS165
SPARE PARTS LISTING



KEY No.	PART No.	STOCK No.	DESCRIPTION	KEY No.	PART No.	STOCK No.	DESCRIPTION
1	YD20CS165-1	93792	Screw				
2	YD20CS165-2	93814	Outside flange				
3			Saw blade				
4	YD20CS165-4	93853	Bottom board				
5	YD20CS165-5	93854	Shaft ring				
6	YD20CS165-6	94040	Movable shield				
7	YD20CS165-7	94041	Sliding shield torsional spring				
8	YD20CS165-8	94042	Self-tapping screw set				
9	YD20CS165-9	94043	Screw				
10	YD20CS165-10	94044	Block pad				
11	YD20CS165-11	94184	Shield				
12	YD20CS165-12	94218	Screw				
13	YD20CS165-13	94271	Dust-proof mat				
14	YD20CS165-14	94272	Spring				
15	YD20CS165-15	94273	Lock lever				
16	YD20CS165-16	94274	Lock button				
17	YD20CS165-17	94275	Bottom shell				
18	YD20CS165-18	94277	Gear box assembly				
23	YD20CS165-23	94332	Wind shield				
24	YD20CS165-24	94362	Brushless protection board				
25	YD20CS165-25	94370	Brushless switch				
26	YD20CS165-26	94388	Insert frame				
27	YD20CS165-27		4000mAh battery component				
30	YD20CS165-30	95372	Fixings Set				
32	YD20CS165-32	95442	Aluminum Base plate assembly				