

Sura Magnets AB
 Hamragatan 2
 S-614 31 Söderköping
 Sverige/Sweden

Telefon +46 (0) 121 353 10
 Fax +46 (0) 121 353 15
 E-mail info@suramagnets.se
 Internet www.suramagnets.se

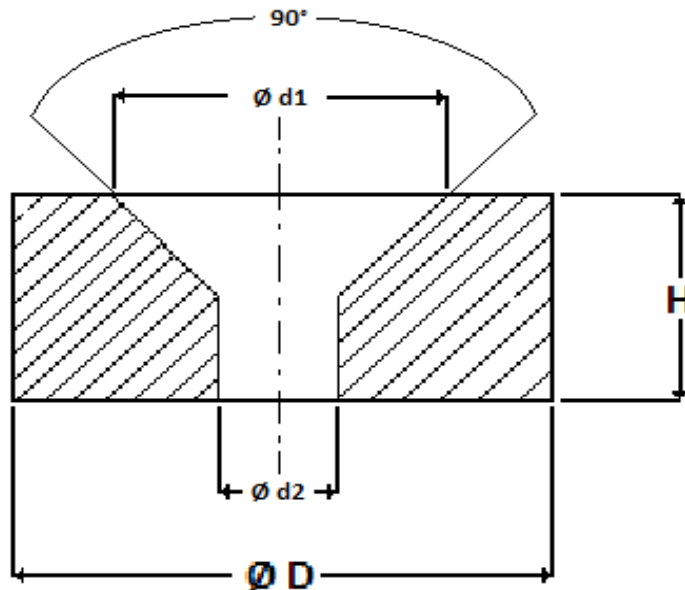


Partnumber: NA35-9-010-1

Material : Neodym 35

Dimensions	D	H	d1	d2	kraft
	10 mm	3 mm	7 mm	4 mm	9 N

Magnetisation: Axially magnetized



Grade	Remanence (T)		Coercivity BHc (kA/m)		Coercivity I _{hc} (kA/m)	Energi product BH max (kJ/m ³)		Max Work temp
	Min	Typ	Min	Typ		Min	Typ	
N35	1,17	1,21	860	915,4	>=955	262,7	278,6	<=80°