




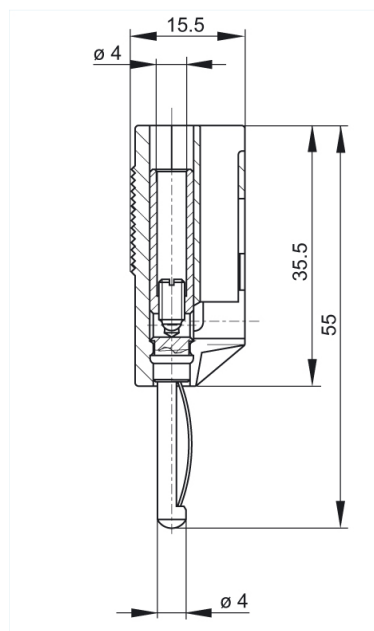
## VSB 20 schwarz/black

Industrial Connectors:Measuring and Testing Equipment:Plugs:4 mm system

### Product description

Description	Fully mating connector with longitudinal or transverse cable entry in tower construction. Screw connection up to maximum cable cross-section of 2.5 mm <sup>2</sup> and external diameter of 4 mm. Nickel-plated brass contact material.
Type	VSB 20 schwarz/black
Order No.	930 435-100
System	4 mm system
Housing Color	black
Color types	
Other standard types	red color, order no. 930 435-101; blue color, order no. 930 435-102; yellow color, order no. 930 435-103; green color, order no. 930 435-104

### Drawing



### Technical data

Pin dimensions	4 mm
----------------	------

Type of contact	pin (spring-loaded)
Type of termination	screw
Rated voltage	DC 60 V
Rated current	30 A
Contact resistance	3 mOhm
<b>Material</b>	
Contact material	brass
Contact surface material	nickel-plated
Housing material	PP
<b>Environmental conditions</b>	
Temperature range	-25 °C to +70 °C
<b>Inflammability class</b>	
Housing	94 V-2