



A DIVISION OF EDAC (AMERICA) LIMITED

3810 Shutterfly Road, Ste. 200, Charlotte, NC 28217 // Office: (704) 424-5448 // www.norcomp.net

(Product Change Notification)

Wednesday, January 29, 2020

PCN# 12319

To Whom It May Concern:

Please be advised that NorComp will no longer offer the following machined crimp contacts (Part numbers listed below). However, NorComp will continue to offer these machined crimp contacts that utilize a redesigned plating process. Please contact sales for information regarding last time buys on remaining stock for the parts numbers listed below:

- 170-201-170L002 // Male // Machined Crimp Contacts // 10u" Au
- 170-201-170L005 // Male // Machined Crimp Contacts // 50u" Au
- 170-202-170L002 // Female // Machined Crimp Contacts // 10u" Au

As mentioned above, NorComp will continue to offer machined crimp contacts; These machined crimp contacts utilize a redesigned plating process with a performance designation of Class 2; The Class 2 designation is defined by a 250-500 mating cycle performance rating (updated drawings attached). The NorComp part numbers that will continue to be offered are listed below:

- 170-201-170L003 // 250 Mating Cycles Minimum // Class 2 // **New/Ongoing Offering**
- 170-202-170L003 // 250 Mating Cycles Minimum // Class 2 // **New/Ongoing Offering**

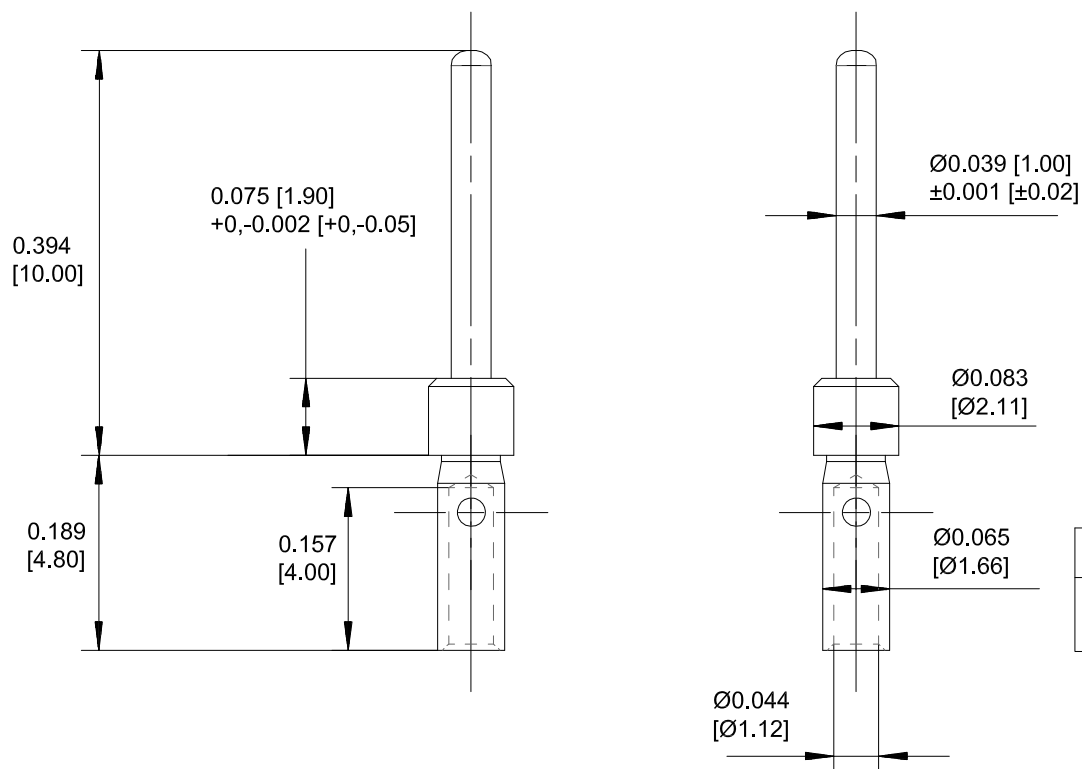
You are receiving this notification as our records show that you have purchased some of these products in the last 5 years. We appreciate your understanding as we strive to offer you the most current information regarding our product.

Please confirm receipt & acceptance of product change notification (by responding to the email you received this notification through). If you have any questions or concerns, please feel free to contact us at sales@norcomp.net.

Regards,

A handwritten signature in black ink, appearing to read 'Joshua Kadel'.

Joshua Kadel
Senior Product Engineer
Fax: 704-424-5648



MATERIAL: BRASS

PLATING: Au/Ni

WIRE SIZE: 20-26 AWG

NOTE #1: CONTACTS SUPPLIED
LOOSE PIECE (500 PER BAG)

NOTE #2: RECOMMENDED MAX.
STRAND DIAMETER = .041"

	NORCOMP PART NUMBER
250 MATING CYCLES // CLASS 2	170-201-170L003

RoHS COMPLIANT

UNITS = inch [mm]

DO NOT SCALE FROM DRAWING



THESE DRAWINGS AND SPECIFICATIONS ARE THE PROPERTY OF NorComp AND SHALL NOT BE REPRODUCED, COPIED OR USED AS THE BASIS FOR THE MANUFACTURE OR SALE OF APPARATUS WITHOUT WRITTEN PERMISSION.

DRAWN:
P. JENKINS

DATE:
07/15/2005

NorComp

SCALE:
NTS

SHEET OF
1 1

REV
4

DWG NO.

170-201-170L003

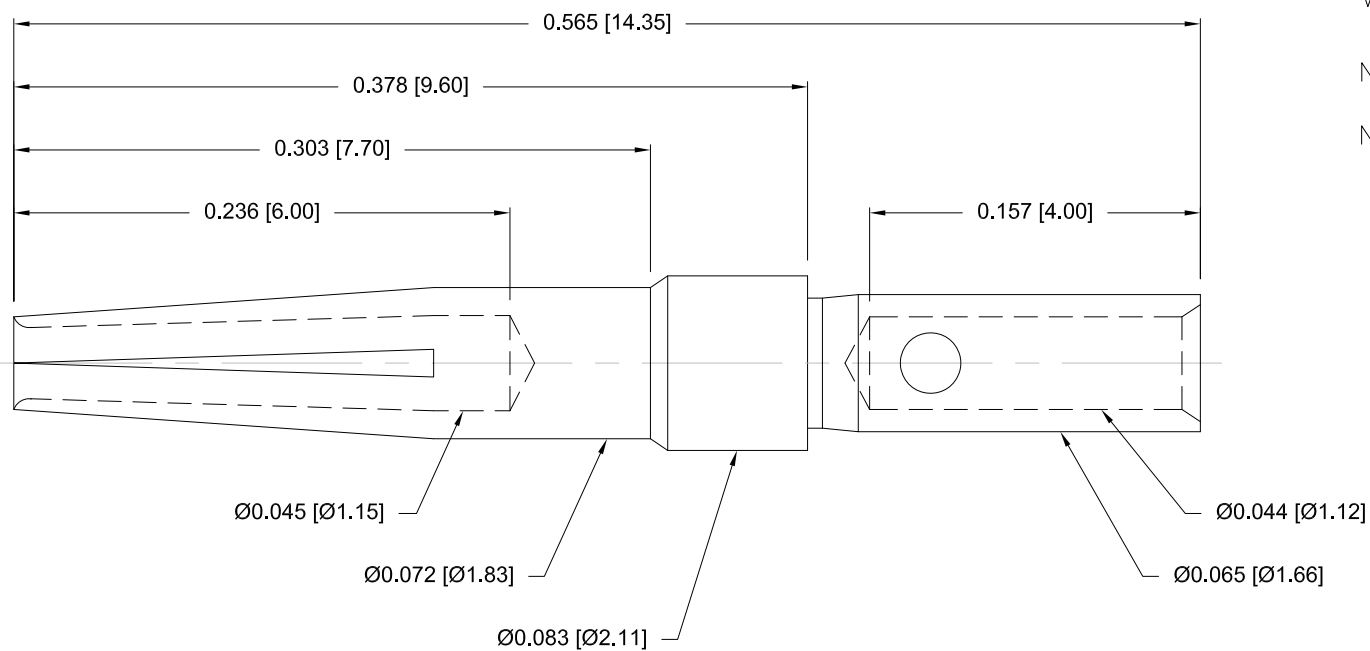
MATERIAL: BRASS

PLATING: Au/Ni

WIRE SIZE: 20-26 AWG

NOTE #1: CONTACTS SUPPLIED
LOOSE PIECE (500 PER BAG)

NOTE #2: RECOMMENDED MAX.
STRAND DIAMETER = .041"



	NORCOMP PART NUMBER
250 MATING CYCLES // CLASS 2	170-202-170L003

RoHS COMPLIANT

UNITS = inch [mm]

DO NOT SCALE FROM DRAWING



THESE DRAWINGS AND SPECIFICATIONS ARE THE PROPERTY OF NorComp AND SHALL NOT BE REPRODUCED, COPIED OR USED AS THE BASIS FOR THE MANUFACTURE OR SALE OF APPARATUS WITHOUT WRITTEN PERMISSION.

DRAWN:

C. SMITH

DATE:

01/15/2009

NorComp

SCALE:
NTS

SHEET OF
1 1

REV
7

DWG NO.

170-202-170L003