



**Mushroom,no inscription,stay-put**



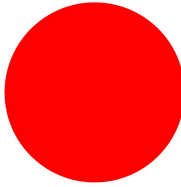
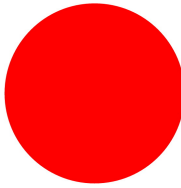
Powering Business Worldwide™



**Part no.**  
**Article no.**  
**Catalog No.**

**M22-DRP-R**  
**216745**  
**M22-DRP-RQ**

### Delivery programme

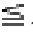

Product range			RMQ-Titan (drilling dimensions 22.5 mm)
Basic function			Mushroom-headed pushbutton
Single unit/Complete unit			Single unit
Description			Stay-put/spring-return function can be changed on device
Function			maintained
Button plate			
Mushroom colour			
Front ring			Front ring: titanium
Connection to SmartWire-DT			yes

### Approvals

Product Standards  
UL File No.  
UL Category Control No.  
CSA File No.  
CSA Class No.  
North America Certification  
Degree of Protection

IEC/EN 60947-5; UL 508; CSA-C22.2 No. 14-05; CSA-C22.2 No. 94-91; CE marking  
E29184  
NKCR  
012528  
3211-03  
UL listed, CSA certified  
UL/CSA Type 3R, 4X, 12, 13

### General

Standards			IEC/EN 60947 VDE 0660
Lifespan, mechanical	Operations	x 10 <sup>6</sup>	> 1
Operating frequency	Operations/ h		 1800
Actuating force		n	 5
Protection type			IP67, IP69K
Climatic proofing			Damp heat, constant, to IEC 60068-2-78 Damp heat, cyclic, to IEC 60068-2-30
Ambient temperature		°C	
Open		°C	- 25 - + 70
Storage		°C	- 40 - + 80
Mounting position			As required
Mechanical shock resistance		g	30 Shock duration 11 ms Sinusoidal according to IEC 60068-2-27

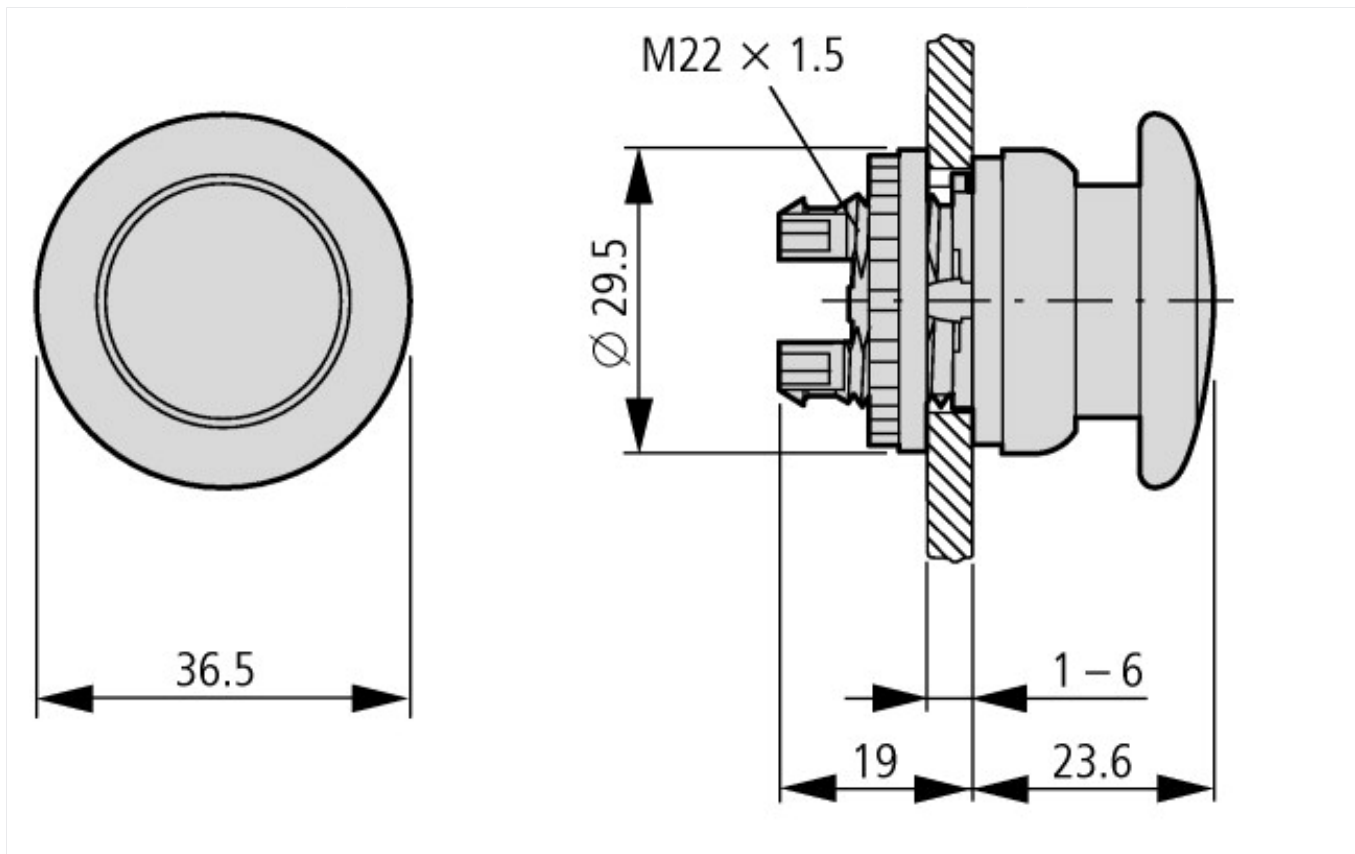
### Technical data ETIM 5.0

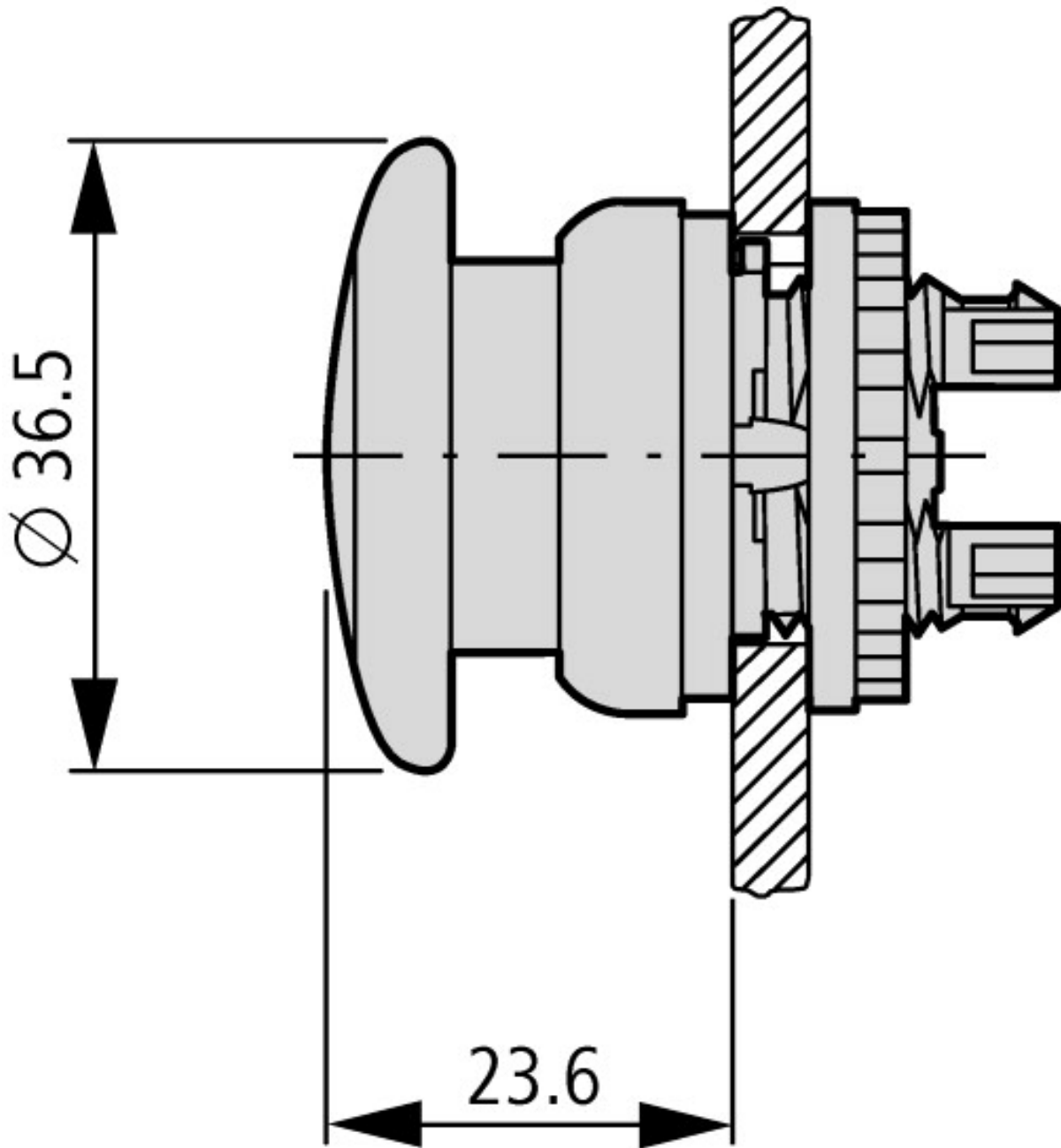
Low-voltage industrial components (EG000017) / Front element for mushroom push-button (EC001038)  
Electric engineering, automation, process control engineering / Low-voltage switch technology / Command and alarm device / Front element for mushroom push-button actuators (ecl@ss8-27-37-12-12 [AKF030010])

Colour button			Red
Construction type lens			Round
Diameter cap		mm	36.5
Hole diameter		mm	22

Width opening		mm	22
Height meter opening		mm	6
Degree of protection (IP)			IP67
Type of button			Flat
Suitable for illumination			No
Switching function latching			Yes
Spring-return			No
With front ring			Yes
Material front ring			Plastic
Colour front ring			Chrome
Suitable for emergency stop			No
Unlocking method			None

## Dimensions





#### Additional product information (links)

IL04716002Z (AWA1160-1745) RMQ-Titan System

IL04716002Z (AWA1160-1745) RMQ-Titan System

[ftp://ftp.moeller.net/DOCUMENTATION/AWA\\_INSTRUCTIONS/IL04716002Z2013\\_08.pdf](ftp://ftp.moeller.net/DOCUMENTATION/AWA_INSTRUCTIONS/IL04716002Z2013_08.pdf)



## Fixing adapter

**Part no.** M22-A  
**Article no.** 216374

**Catalog No.** M22-AQ



Powering Business Worldwide™



## Delivery programme

Product range			RMQ-Titan (drilling dimensions 22.5 mm)			
Basic function			Accessories Fixing adapters			
Basic function accessories			Mounting adapter			
Subrange			Accessories RMQ			
Accessories			Fixing adapters			
Single unit/Complete unit			Single unit			
Function			Mounting clamp (front mounting) for 3-contact LED elements			
Fixing			Front fixing			
Description			for 1 function element M22-SWD-K... or LED element M22-SWD-LED... in addition 1 or 2 contact elements M22-K.. possible Sequence numbers on fixing adapter			
For use with			Contact elements M22-(C)K... LED elements M22-(C)LED...			
For use with			M22-SWD-K... M22-SWD-LED...			
Configuration			<table border="1" style="display: inline-table; vertical-align: middle;"> <tr> <td style="text-align: center;">1 / 4</td> <td style="text-align: center;">3 / 6</td> <td style="text-align: center;">2 / 5</td> </tr> </table>	1 / 4	3 / 6	2 / 5
1 / 4	3 / 6	2 / 5				
Protection type			IP20			
Connection to SmartWire-DT			yes			

## Approvals

Product Standards  
UL File No.  
UL Category Control No.  
CSA File No.  
CSA Class No.  
North America Certification

IEC/EN 60947-5; UL 508; CSA-C22.2 No. 14-05; CSA-C22.2 No. 94-91; CE marking  
E29184  
NKCR  
012528  
3211-03  
UL listed, CSA certified

## General

Standards			IEC/EN 60947 VDE 0660
Lifespan, mechanical	Operations	x 10 <sup>6</sup>	> 5
Operating frequency	Operations/ h		$\frac{\text{---}}{\text{---}}$ 3600
Operating torque (screw terminals)		Nm	$\frac{\text{---}}{\text{---}}$ 0.8
Protection type			IP20
Climatic proofing			Damp heat, constant, to IEC 60068-2-78 Damp heat, cyclic, to IEC 60068-2-30
Ambient temperature		°C	
Open		°C	- 25 - + 70
Mounting position			As required
Terminal capacities		mm <sup>2</sup>	
Solid		mm <sup>2</sup>	0.75 - 2.5
Stranded		mm <sup>2</sup>	0.5 - 2.5

## Contacts

Rated impulse withstand voltage	U <sub>imp</sub>	V AC	6000
Rated insulation voltage	U <sub>i</sub>	V	500
Overvoltage category/pollution degree			III/3

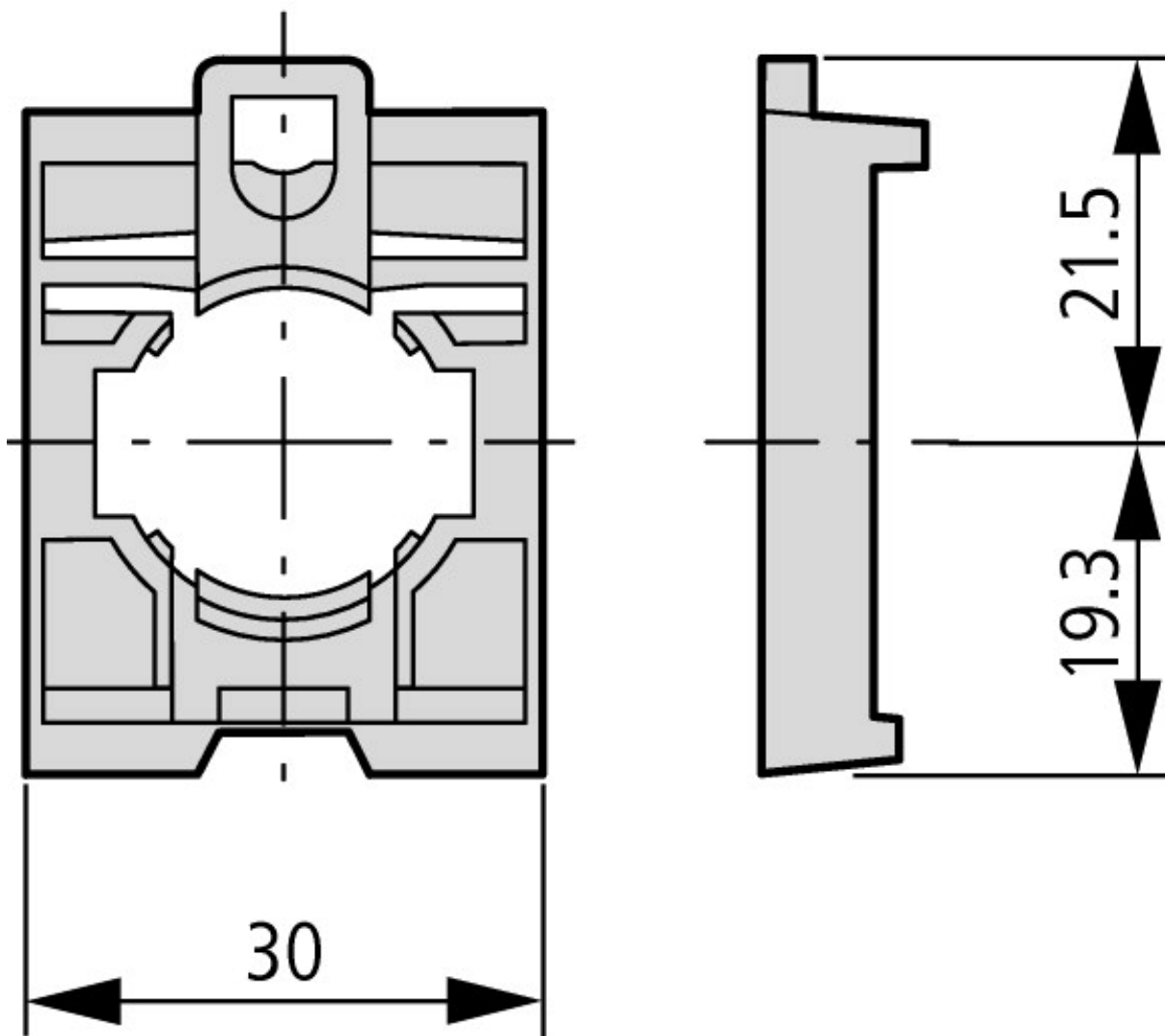
Control circuit reliability			
at 24 V DC/5 mA	H <sub>F</sub>	Fault probability	< 10 <sup>-7</sup> , < 1 fault in 10 <sup>7</sup> operations
at 5 V DC/1 mA	H <sub>F</sub>	Fault probability	< 5 x 10 <sup>-6</sup> , < 1 failure in 5 x 10 <sup>6</sup> operations
Max. short-circuit protective device			
Fuseless		Type	PKZM0-10/FAZ-B6/1
Fuse	gG/gL	A	10
<b>Switching capacity</b>			
Rated operational current			
AC-15			
115 V	I <sub>e</sub>	A	6
220 V 230 V 240 V	I <sub>e</sub>	A	6
380 V 400 V 415 V	I <sub>e</sub>	A	4
500 V	I <sub>e</sub>	A	2
DC-13			
24 V	I <sub>e</sub>	A	3
42 V	I <sub>e</sub>	A	1.7
60 V	I <sub>e</sub>	A	1.2
110 V	I <sub>e</sub>	A	0.8
220 V	I <sub>e</sub>	A	0.3
Lifespan, electrical			
AC-15			
230 V/0.5 A	Operations	x 10 <sup>6</sup>	1.6
230 V/1.0 A	Operations	x 10 <sup>6</sup>	1
230 V/3.0 A	Operations	x 10 <sup>6</sup>	0.7
DV-13			
12 V/2.8 A	Operations	x 10 <sup>6</sup>	1.2
Indoor and protected outdoor installation			

## Technical data ETIM 5.0

Low-voltage industrial components (EG000017) / Adapter for control circuit devices (EC001020)  
 Electric engineering, automation, process control engineering / Low-voltage switch technology / Command and alarm device / Adapter for command devices  
 (eci@ss8-27-37-12-26 [AKFD44010])

Built-in diameter		mm	22
Number of appliances to build in			6

## Dimensions



Fixing adapters  
 Fixing adapter (front mount) for 3-contacts-/LED elements

**Additional product information (links)**

**IL04716004Z (AWA1160-2511) SmartWire-DT: RMQ-Titan**

IL04716004Z (AWA1160-2511) SmartWire-DT: RMQ-Titan	<a href="ftp://ftp.moeller.net/DOCUMENTATION/AWA_INSTRUCTIONS/IL04716004Z2010_10.pdf">ftp://ftp.moeller.net/DOCUMENTATION/AWA_INSTRUCTIONS/IL04716004Z2010_10.pdf</a>
---	---

**MN05006002Z-EN (AWB2723-1617) SmartWire-DT, The System**

MN05006002Z-DE (AWB2723-1617) SmartWire-DT, Das System - Deutsch	<a href="ftp://ftp.moeller.net/DOCUMENTATION/AWB_MANUALS/MN05006002Z_DE.pdf">ftp://ftp.moeller.net/DOCUMENTATION/AWB_MANUALS/MN05006002Z_DE.pdf</a>
---	---

MN05006002Z-EN (AWB2723-1617) SmartWire-DT, The System - English	<a href="ftp://ftp.moeller.net/DOCUMENTATION/AWB_MANUALS/MN05006002Z_EN.pdf">ftp://ftp.moeller.net/DOCUMENTATION/AWB_MANUALS/MN05006002Z_EN.pdf</a>
---	---

MN05006002Z-IT (AWB2723-1617) SmartWire-Darwin, Il sistema - italiano	<a href="ftp://ftp.moeller.net/DOCUMENTATION/AWB_MANUALS/MN05006002Z_IT.pdf">ftp://ftp.moeller.net/DOCUMENTATION/AWB_MANUALS/MN05006002Z_IT.pdf</a>
--	---