



PART NAME

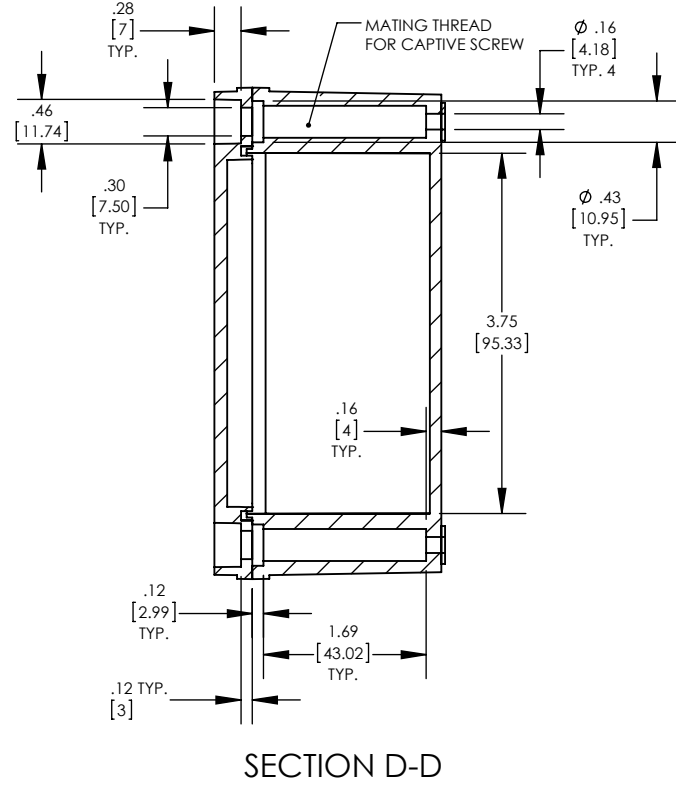
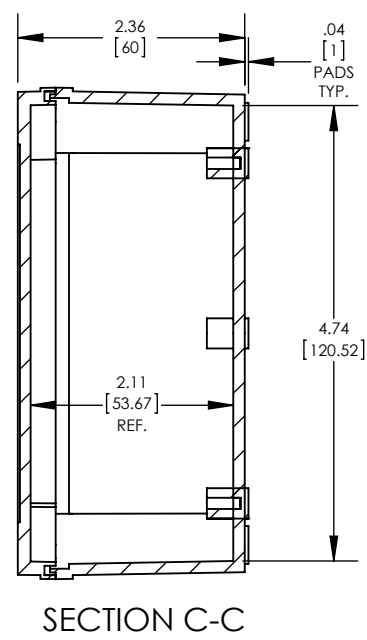
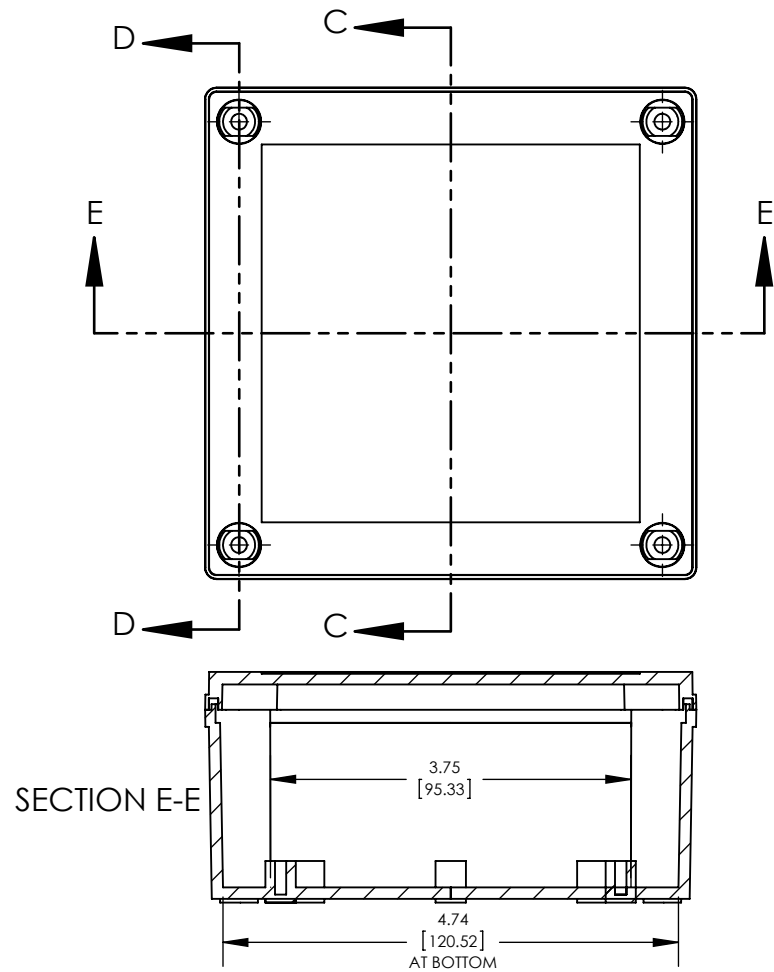
PIP SERIES - 10% FIBERGLASS BOX

PART No.

PIP-11767 PIP-11767-C

REVISION DATE

3-28-14



- NOTES:
- 1- MATERIAL: BODY AND COVER - POLYCARBONATE
10% FIBERGLASS REINFORCED
 - 2- FINISH: BODY - LIGHT GRAY
COVER - LIGHT GRAY/CLEAR
 - 3- ALL HOLE DIAMETERS HAVE $\pm .005$ [13] TOLERANCE
ALL OTHER DIMENSIONS HAVE $\pm .03$ [76] TOLERANCE
UNLESS OTHERWISE SPECIFIED
 - 4- SUPPLIED WITH NON-METALLIC CAPTIVE SCREWS
 - 5- FOUR M4 THREAD FORMING SCREWS SUPPLIED
 - 6- DIMENSIONS ARE INCH[MM]

